

340

PULSA Series[®]

Our time proven PULSA Series 340 is our smallest, most economical diaphragm metering pump. It is engineered with precision, reliability and muscle for tough jobs. Our unique HYDRAcone[®] head design, along with a variety of wet end materials, offers a diverse range of fluid handling solutions. The 340 is ideal for handling corrosives, non-corrosives, high viscosities, slurries, and in high-lift applications.



Applications

fertilization, coagulation, slime control, CPI, pH and odor control



Flow

up to 11.5 gph (43.5 lph)



Pressure

up to 175 psi (12 bar)



Temperature

from 40°F (4.4°C) to 180°F (82°C)



API-675 • CE • ATEX

Hydraulic diaphragm metering delivers more than you expect.

Standard materials of construction

- Wet end: 316LSS, GF-PPL
- Diaphragm: Elastomeric cone
- Pump body: Aluminum
- Valve ball: 316LSS, Alumina Ceramic
- Valve gaskets: PTFE

Connection type

- NPT

Controls

- VFD motor speed

Motor

- Vertical mount
- Long life bearing design

Footprint

- Compact

OEM Capable

HYDRAcone[®] design

- The solution for difficult suction lift conditions
- Ideal for sheer sensitive and high viscosity fluids
- Outstanding hydraulic performance
- Straight flow-through path
- Optional slurry valves
- Head: 316LSS, GF-PPL
- Elastomeric HYDRAcone

PULSA Series® 340

Specifications

Materials	316LSS, GF-PPL
Diaphragm type	Cone
Motor power	up to 0.33 hp (0.25 kW)
Motor frame	NEMA 42C, 56C
Max temp	180°F (82°C)
Min temp	40°F (4.4°C)
Accuracy	±1%
Standards	API-675, CE, ATEX

Features & Benefits

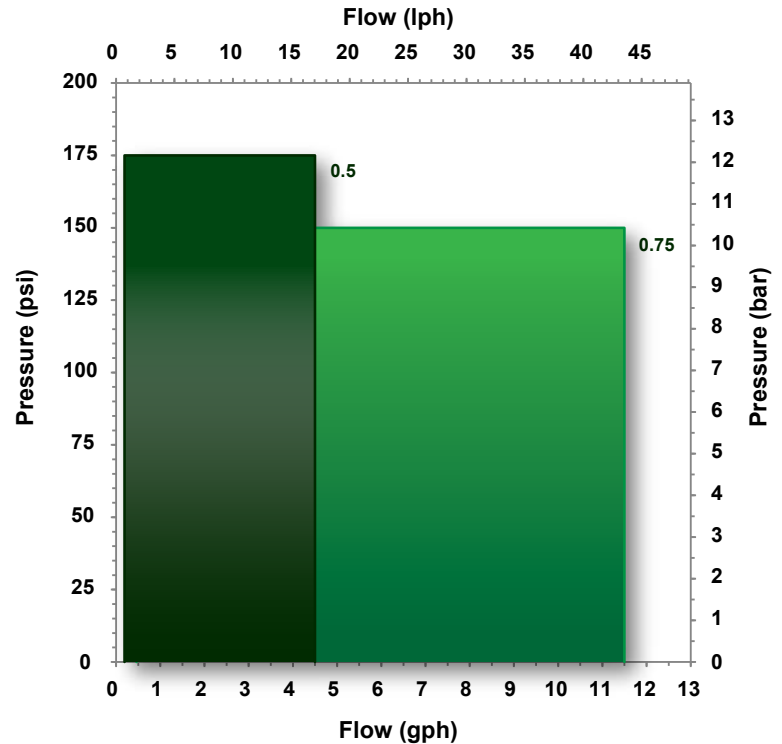
- Stroke length control yields 0-100% linear flow adjustment over a 10:1 turndown range
- Hydraulically balanced diaphragm for long life and reduced service costs
- HYDRAcone® provides outstanding suction lift
- Proven hydraulic management system assures consistent performance and rapid recovery from system upsets
- Material options for safety, durability and chemical compatibility
- Sealed drive protects against atmospheric contamination and assures long service life
- Easy maintenance KOPkit® (Keep on Pumping kit) saves time and money

Custom Engineering

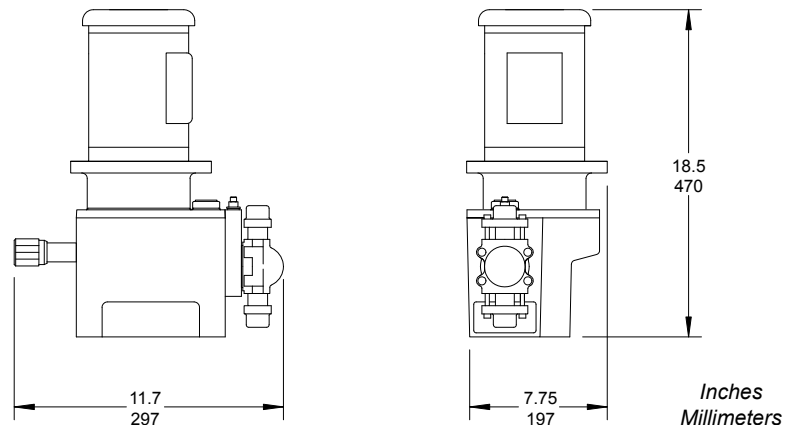
- Compatible materials: Alloy C, Alloy 20, PVDF
- Custom electronic controls
- Chemical feed systems
- Application consulting

Spec Pulsafeeder.
Get more than you expect.

Flow & Pressure Envelope by Piston Size (inches)



Dimensions



Approximate shipping weight: 35 lb (16 kg)

The dimensions shown may differ depending on pump configuration.

**For More Information, Contact Your Authorized
Pulsafeeder Engineered Products Representative**



Pulsafeeder Engineered Products
2883 Brighton Henrietta Town Line Rd.
Rochester, NY 14623
Phone: +1 (585) 292-8000
pulsafeeder@idexcorp.com • pulsafeeder.com

Pulsafeeder is an ISO 9001:2008 and 14001:2004 certified company.

© Copyright 2014 Pulsafeeder. All rights reserved.

IDEX
FLUID & METERING

340spec_Rev0714