

Simplus Strainer

6" – 24" NB

Fabricated Large Capacity Single Strainer 6" – 24" (150 mm – 600 mm)

These fabricated carbon steel strainers incorporate all of the standard Plenty features common to the Simplex range. They have been designed for use on gas and liquids, with sizes from 6" to 24" and capable of flows up to 2000 m³/hr. The filtration area is up to 12 times the pipe cross-sectional area and the welded construction gives flexibility in design with respect to flow, pressure, material and design code.

STANDARD FEATURES

- Quick release covers eliminate the need for tools for maintenance
- Flow is from inside the basket to outside to trap and retain all debris
- High basket area to pipeline C.S.A. ratio of over 16:1 in most cases
- Supplied with coarse perforated baskets (2mm as standard) or fine stainless steel mesh inserts to give particle removal down to 50 microns
- Disposable depth type cartridges are available for filtration to 5~10 micron on liquid and 1~2 micron on gases

OPTIONS

- Complying with current Transco specifications
- Can be supplied complying with PD5500 or ASME VIII design codes
- Pleated baskets for high filtration areas
- Reinforced baskets for withstanding high differential pressures
- Magnetic element assemblies
- Flanged connection for drain, vent and ancillary connections
- Supplied with ancillary equipment such as DP gauges and switches, air release heads, valves for vent and drains etc
- Available in stainless steel or special alloys



DIMENSIONS

SINGLE BASKET

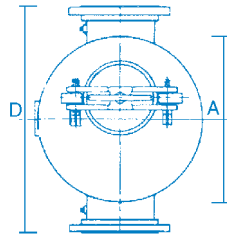
Branches: 6", 8", 10" and 12" nominal bore

Working Pressures

Standard: up to 18.9 BARG at 38°C

Custom Applications: up to 49.6 BARG at 38°C

A	558 MM	22 1/4"
B	965 MM	38"
C	640 MM	25 1/4"
D	914 MM	36"
E	914 MM	36"
WEIGHT UP TO 540 KG (1190 LB)		



TWO BASKET

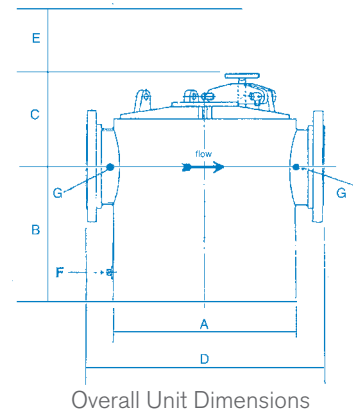
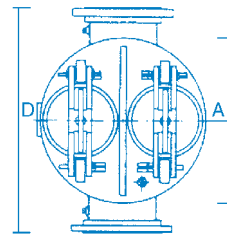
Branches: 8", 10", 12", 14" and 16" nominal bore

Working Pressures

Standard: up to 18.9 BARG at 38°C

Custom Applications: up to 34.4 BARG at 38°C

A	813 MM	32 1/4"
B	838 MM	33"
C	646 MM	25 1/4"
D	1066 MM	42"
E	795 MM	30 1/4"
WEIGHT UP TO 1180 KG (2600 LB)		



THREE BASKET

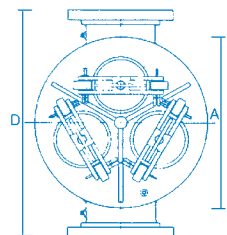
Branches 12", 14", 16" and 18" nominal Bore

Working Pressures

Standard: up to 18.9 BARG at 38°C

Custom Applications: up to 34.4 BARG at 38°C

A	1066 MM	42 1/4"
B	838 MM	33"
C	743 MM	29 1/4"
D	1524 MM	60"
E	800 MM	31 1/2"
WEIGHT UP TO 1870 KG (4115 LB)		



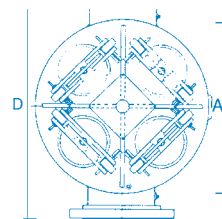
FOUR BASKET

Branches: 14", 16", 18", 20" and 24" nominal bore

Working Pressures

Standard: up to 18.9 BARG at 38°C

A	1168 MM	46 1/4"
B	838 MM	33"
C	743 MM	32 1/4"
D	1524 MM	60"
E	800 MM	36 5/8"
WEIGHT UP TO 2270 KG (4990 LB)		



SPX®

SPX Flow Technology, SPX International Ltd, Hambridge Road, Newbury, Berkshire RG14 5TR
 Phone: +44 1635 42363 Fax: +44 1635 49758 E-Mail: plentyfilters@spx.com
 For more information about our worldwide locations, approvals, certifications, and local representatives,
 please visit www.plentyfiltration.net

SPX reserves the right to incorporate our latest design and material changes without notice or obligations.

Design features, materials of construction and dimensional data, as described in this bulletin, are provided for your information only and should not be relied upon unless confirmed in writing. Please contact your local sales representative for product availability in your region. For more information visit www.spx.com.

"The green ">" is a trademark of SPX Corporation, Inc."