

'Bath Tub' Tee Type Strainer

Model 140

'Bath Tub' Tee Type Strainer Model 140

The Plenty "Bath Tub" Tee type strainer 140 offers many unique features and represents the first choice where the highest performance and quality requirements are important.

The Tee type strainer is designed in excess of ANSI B16.34 and offers a very low pressure drop due to the screen design to inlet area ratio.

Plenty Strainers from SPX, are in operation in more than 30 countries, and offer a range of filtration products from cast simplex or duplex strainers to fabricated designs, both standard and bespoke.

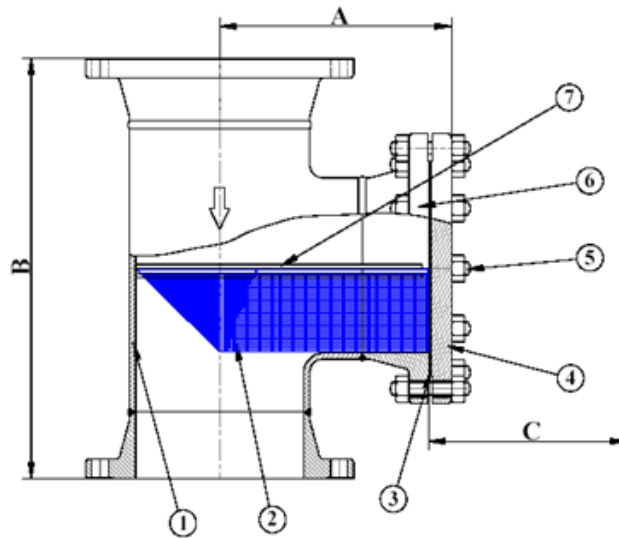
DESIGN FEATURES

Sizes:	2" to 24"
Pressure :	Low and High
Rating :	ANSI 150 TO 2500 LBS
Construction:	Fabricated Body – Flanged Cover
Materials :	Carbon steel, stainless steels, and special alloys
Filtration:	Perforated / mesh screens to suit application



STANDARD PARTS LIST

PART	CARBON STEEL	STAINLESS STEEL
1. Body	ASTM A234 WPB	ASTM A403 WP316
2. Screen	316	316
3. Gasket	Non Asbestos	Non Asbestos
4. Plug	ASTM A105	ASTM A182 F316
5. Cover	ASTM A105	ASTM A182 F316
6. Stud Bolts	ASTM A193 B7	ASTM A193 B8
7. Nuts	ASTM A194 2H	ASTM A194 Gr 8
Drain Connection	Available on request	Available on request



DIMENSIONS APPROX (MM)

NB	B	CLASS 150#				CLASS 300#				CLASS 600#			
		A	C	KG	KG	A	C	KG	KG	A	C	KG	KG
				BW	RF			BW	RF			BW	RF
2"	127	148	254	9	15	159	267	13	20	177	286	15	25
3"	172	182	312	16	26	197	331	23	37	215	350	24	41
4"	210	207	363	24	38	225	382	38	62	259	426	52	88
6*	286	260	464	43	65	280	483	71	111	323	534	100	172
8"	356	310	559	71	107	333	578	109	171	382	636	158	270
10"	432	351	635	111	161	384	667	181	269	448	750	269	451
12"	508	403	737	161	239	438	768	256	384	492	832	340	550
14"	560	445	814	222	324	480	846	354	530	530	903	438	692
16"	610	472	864	273	393	511	902	449	675	575	979	589	945
18"	686	526	966	332	474	565	1004	553	821	626	1067	744	1176
20"	762	572	1051	422	598	609	1086	888	1038	676	1156	928	1464
24"	864	635	1169	600	838	673	1201	982	1458	753	1283	1311	2071



SPX Flow Technology, SPX International Ltd, Hambridge Road, Newbury, Berkshire RG14 5TR
 Phone: +44 1635 42363 Fax: +44 1635 49758 E-Mail: plentyfilters@spx.com
 For more information about our worldwide locations, approvals, certifications, and local representatives,
 please visit www.spx.com/en/plenty/

SPX reserves the right to incorporate our latest design and material changes without notice or obligations.

Design features, materials of construction and dimensional data, as described in this bulletin, are provided for your information only and should not be relied upon unless confirmed in writing. Please contact your local sales representative for product availability in your region. For more information visit www.spx.com.

"The green ">" is a trademark of SPX Corporation, Inc."