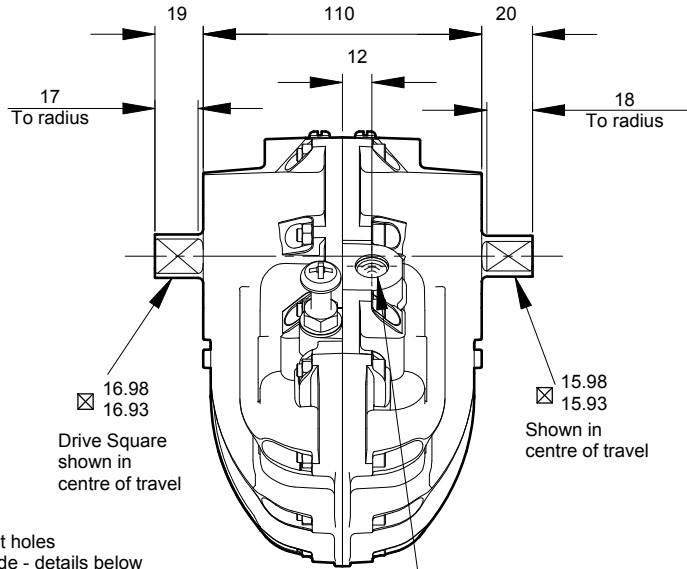
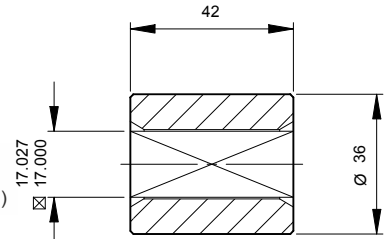


Model 08



Standard Coupling
(supplied with actuator
weight 0.52 lbs/0.24 kg)



Specification

Output Torque

1740 lbf ins/199 Nm
at 100 psi/7 bar

Angle of Travel (adjustable)

80° - 100°
(restricted travel
versions available)

Displaced Volume

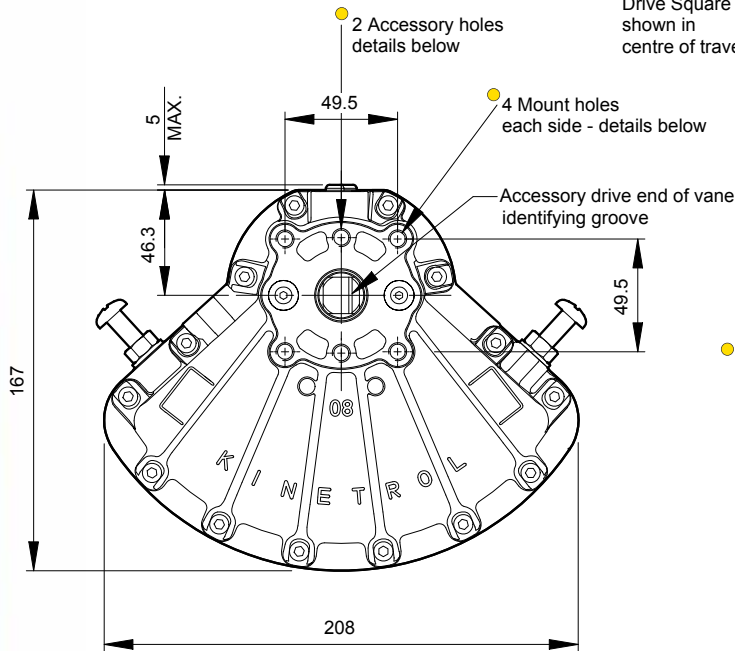
29.6 in³/485 cm³

Finish

Epoxy stove enamel

Weight

5.60 lb/2.54 kg
(excluding coupling)



● Air Port/Mount Hole Details

Model	Air Ports	Mount Holes & Accessory Mount Holes
084-100	G ¹ / ₄	4 x M8 x 16 deep on 70.0 PCD 2 x M8 x 16 deep on 50.8 PCD
087-100	1/4 NPT	4 x 5/16 -18 UNC x 0.63" deep on 2.76" PCD 2 x 5/16 -18 UNC x 0.63" deep on 2.00" PCD

Visual Red Indicator supplied as standard



KINETROL