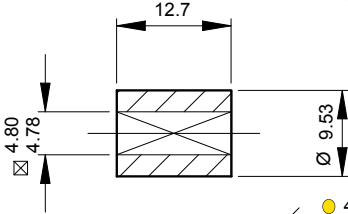
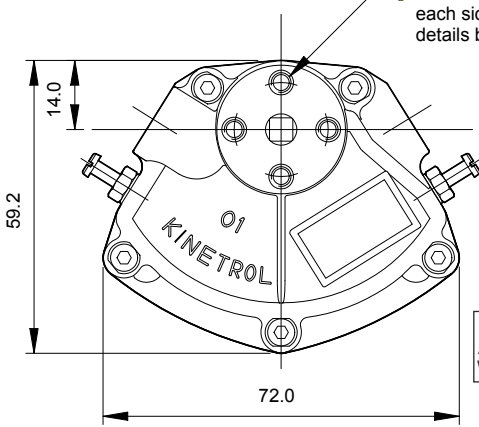


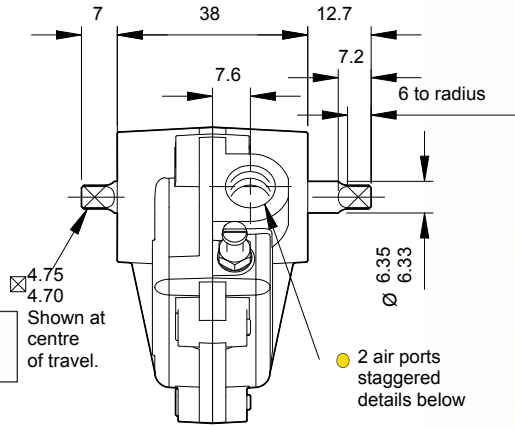
Standard Coupling
(supplied with both actuator types
weight 0.2 oz/0.005 kg)



4 Mount Holes
each side
details below

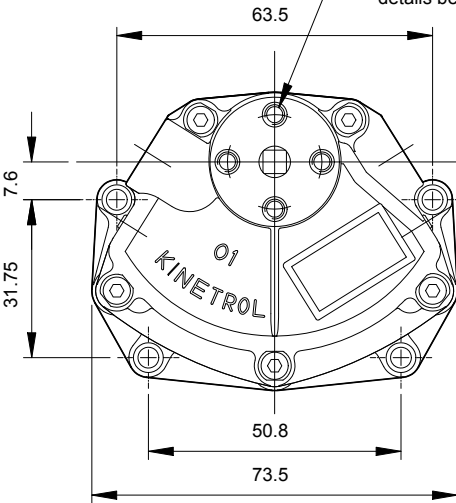


ACTUATOR 014-100
Angle of travel: 78° - 100°
Weight 0.62 lb/0.28 kg

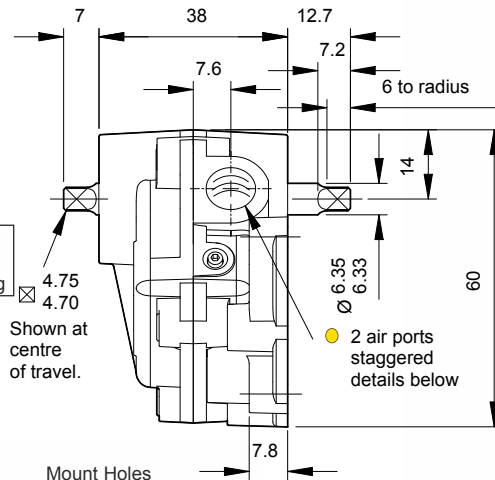


2 air ports
staggered
details below

4 Aux. Mount Holes
each side
details below



ACTUATOR 014P100
Angle of travel: 90°
Weight 0.77 lb/0.34 kg



2 air ports
staggered
details below

Air Port/Mount Hole Details

Model	Air Ports	Mount Holes
014-100	G ¹ / ₈	4 x M4 x 6 deep on 19.0 PCD
017-100	1/8 NPT	4 x 8-32 UNC x 0.25" deep on 0.75" PCD
014P100	G ¹ / ₈	4 x Ø4.1 (M4 clearance)

Specification

Output Torque

58 lbf ins/6.7 Nm
at 100 psi/7 bar

Angle of Travel

See Drawings
(restricted travel
versions available)

Displaced Volume

1.00 in³/16.5 cm³

Finish

Epoxy stove enamel

Weight

See Drawings

