

# Self Priming Centrifugal Pump

**Super  
T SERIES**  
VARIOUS PATENTS APPLY

## Model T4B60S-B

### Size 4" x 4"



#### PUMP SPECIFICATIONS

**Size:** 4" x 4" (101 mm x 101 mm) NPT - Female.

**Casing:** Gray Iron 30.

Maximum Operating Pressure 97 psi (669 kPa).\*

**Semi-Open Type, Five Vane Impeller:** Ductile Iron 65-45-12.

Handles 13/16" (20,6 mm) Diameter Spherical Solids.

**Impeller Shaft:** Alloy Steel 4150.

**Shaft Sleeve:** Alloy Steel 4130.

**Replaceable Wear Plate:** Gray Iron 30.

**Removable Adjustable Cover Plate:** Gray Iron 30.

**Removable Inspection Cover Plate:** Gray Iron 30; 12 lbs. (5,4 kg.).

**Flap Valve:** Neoprene w/Nylon and Steel Reinforcing.

**Seal Plate:** Gray Iron 30.

**Bearing Housing:** Gray Iron 30.

**Radial Bearing:** Open Single Row Ball.

**Thrust Bearing:** Open Double Row Ball.

**Bearing and Seal Cavity Lubrication:** SAE 30 Non-Detergent Oil.

**Flanges:** Gray Iron 30.

**Gaskets:** Buna-N, Compressed Synthetic Fibers, Vegetable Fiber, PTFE, Cork, and Rubber.

**O-Rings:** Buna-N.

**Hardware:** Standard Plated Steel.

**Brass Pressure Relief Valve.**

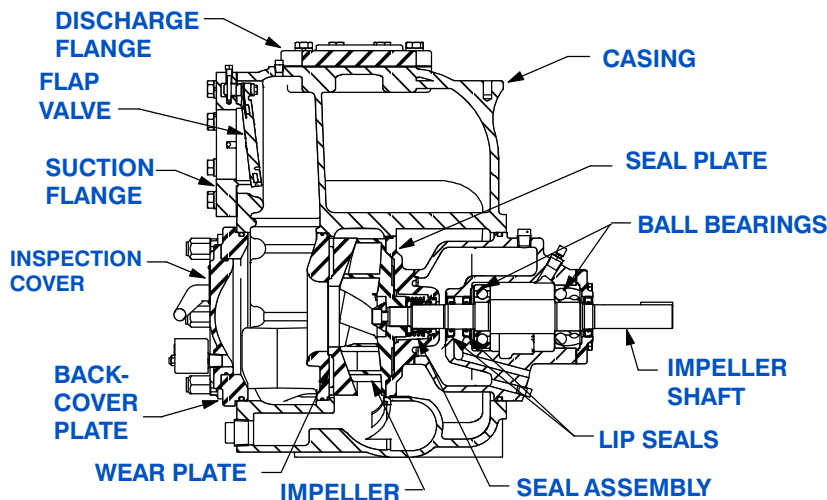
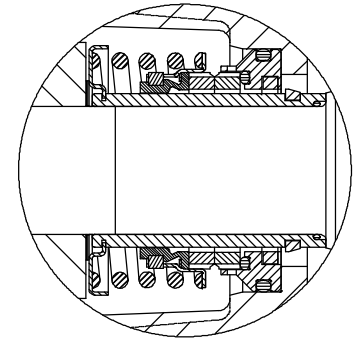
**Bearing and Seal Cavity Oil Level Sight Gauges.**

**Optional Equipment:** Automatic Air Release Valve. Metal Bellows Seal. Stainless Steel 316 Pressure Relief Valve. 120V/240V Casing Heater. High Pump Temperature Shutdown Kit. Gray Iron 30 Suction and Discharge Spool Flanges:

4" ASA (**Specify Model T4B60S-B /F**).

100 mm DIN 2527 (PN 16) (**Specify Model T4B60S-B /FM**).

*\*Consult Factory for Applications Exceeding Maximum Pressure and/or Temperature Indicated.*



#### SEAL DETAIL

Cartridge Type, Mechanical, Oil-Lubricated, Double Floating, Self-Aligning. Silicon Carbide Rotating and Stationary Faces. Stainless Steel 316 Stationary Seat. Fluorocarbon Elastomers (DuPont Viton® or Equivalent). Stainless Steel 18-8 Cage and Spring. Maximum Temperature of Liquid Pumped, 160°F (71°C).\*



## GORMAN-RUPP PUMPS

www.grpumps.com

Specifications Subject to Change Without Notice

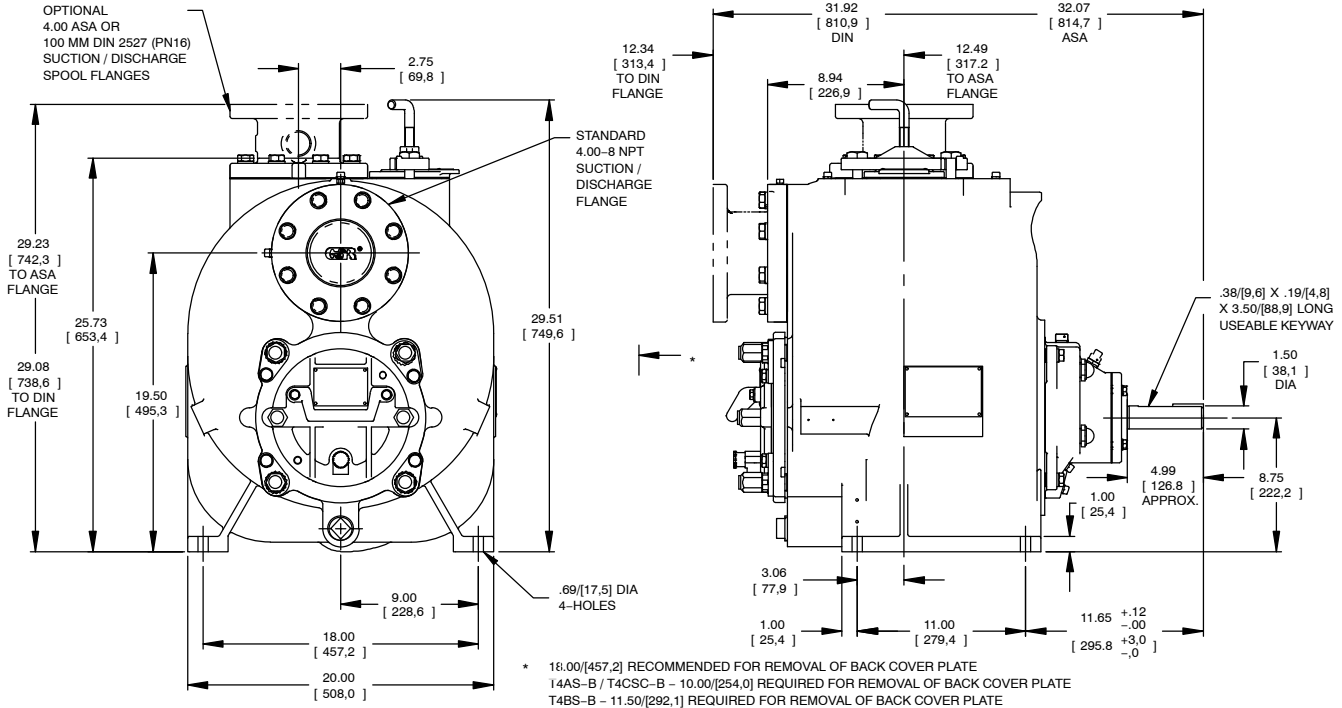
Printed in U.S.A.

**Specification Data**

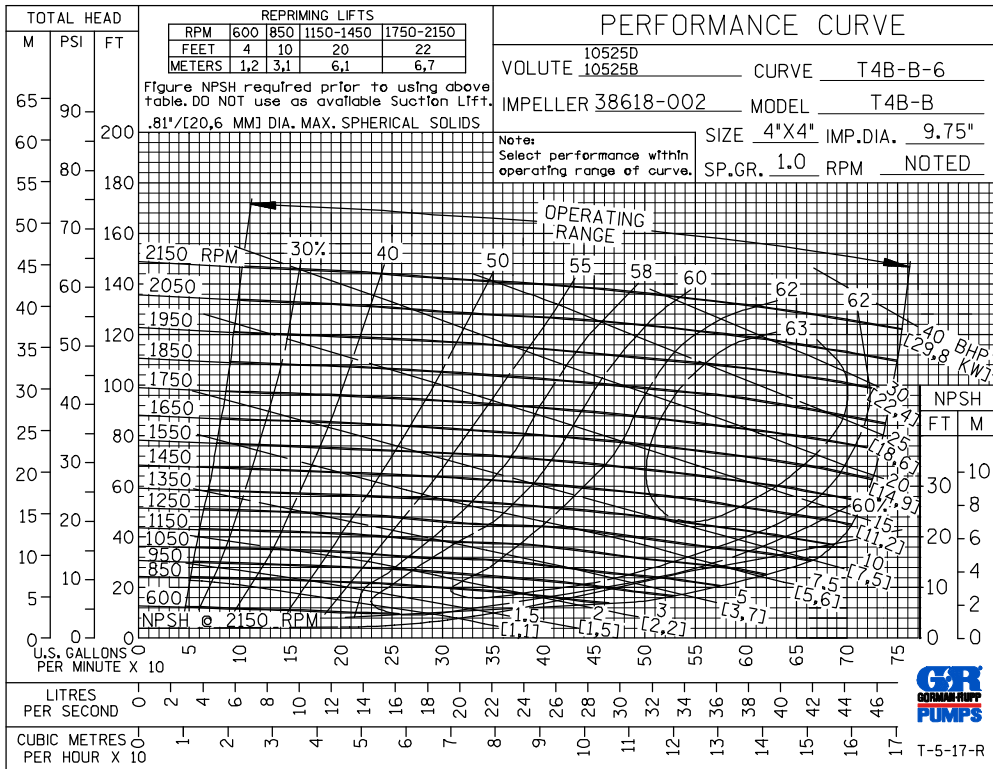
**SECTION 55, PAGE 2160C**

**APPROXIMATE DIMENSIONS and WEIGHTS**

**NET WEIGHT: 575 LBS. (261 KG.)\***  
**SHIPPING WEIGHT: 614 LBS. (279 KG.)\***  
**EXPORT CRATE: 22.7 CU. FT. (0,64 CU. M.)**  
**\*ADD 15 LBS. (6,8 KG.) W/EACH SPOOL FLANGE**



NOTE: OPTIONAL ASA OR DIN STANDARD SUCITON & DISCHARGE SPOOL FLANGES AVAILABLE.

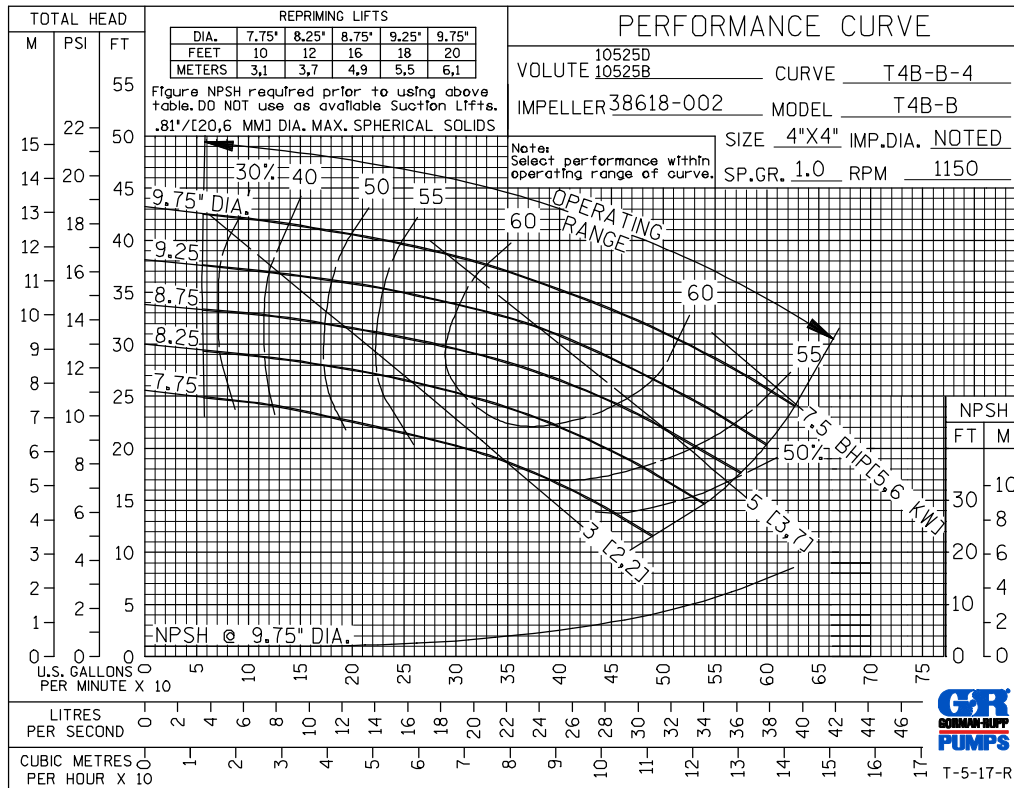
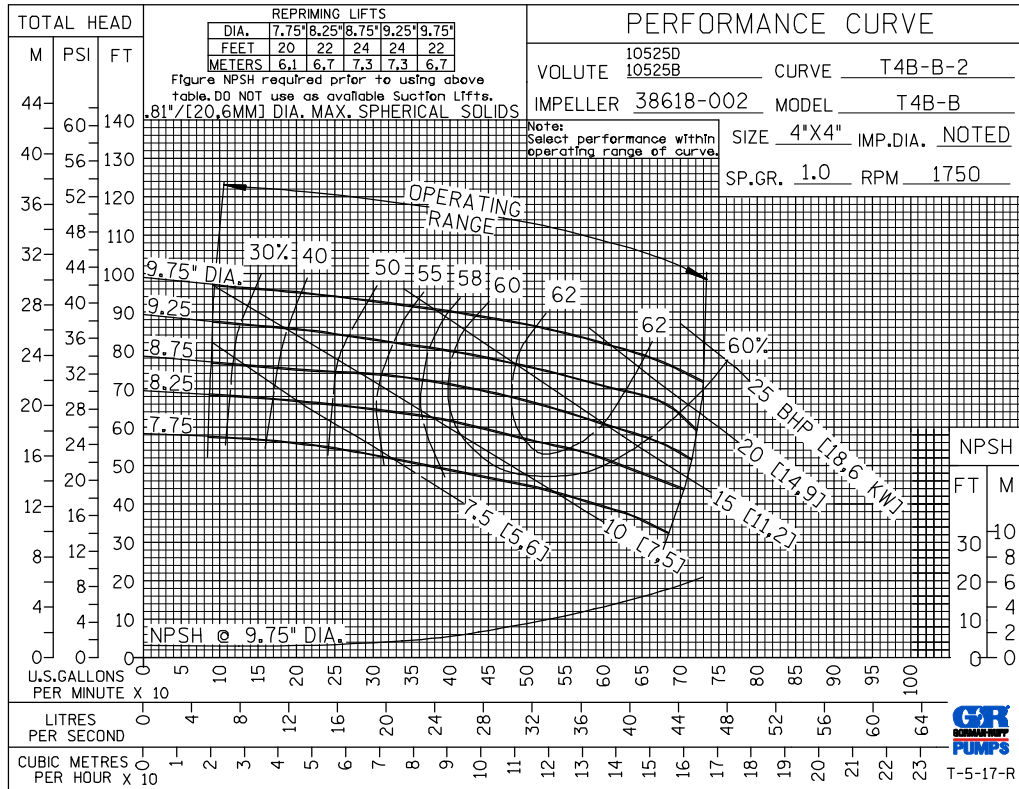


**GORMAN-RUPP PUMPS**

www.grpumps.com

Specifications Subject to Change Without Notice

Printed in U.S.A.

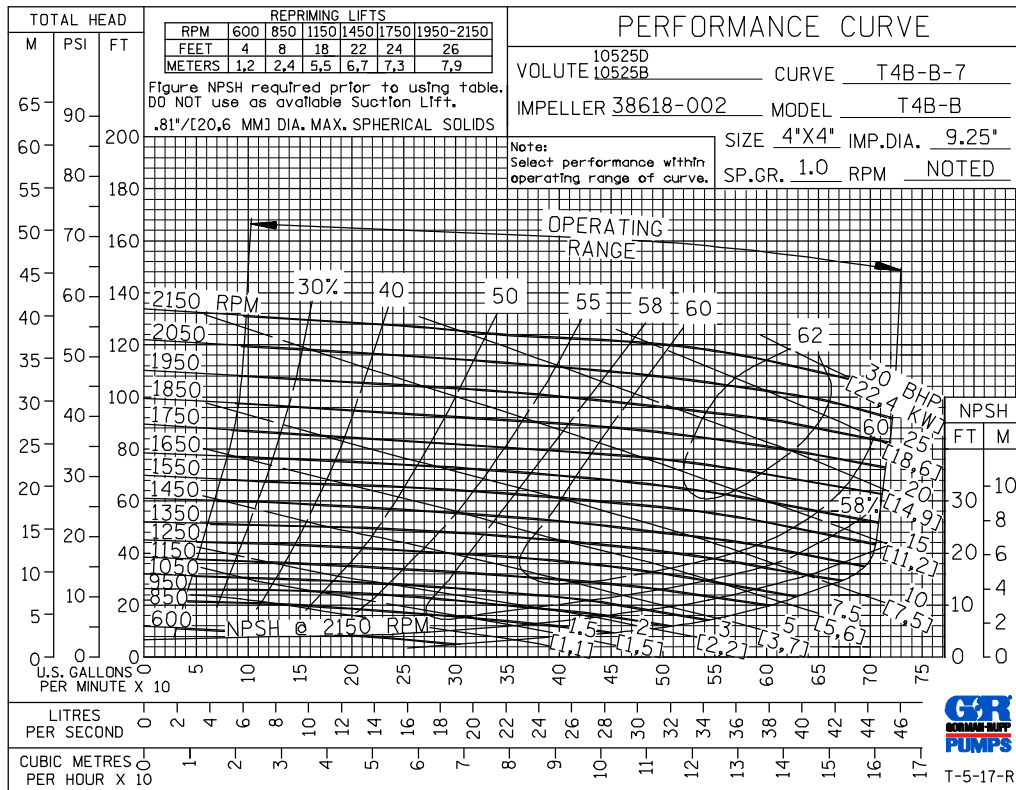
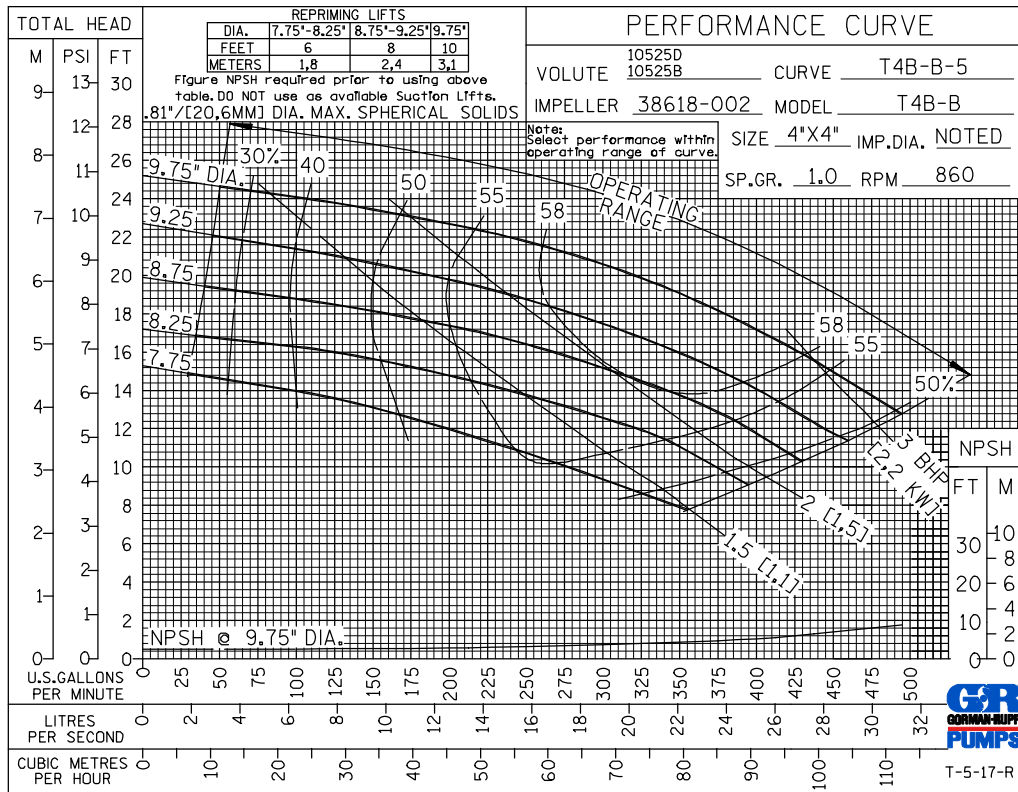


GORMAN-RUPP PUMPS

www.grpumps.com

Specifications Subject to Change Without Notice

Printed in U.S.A.



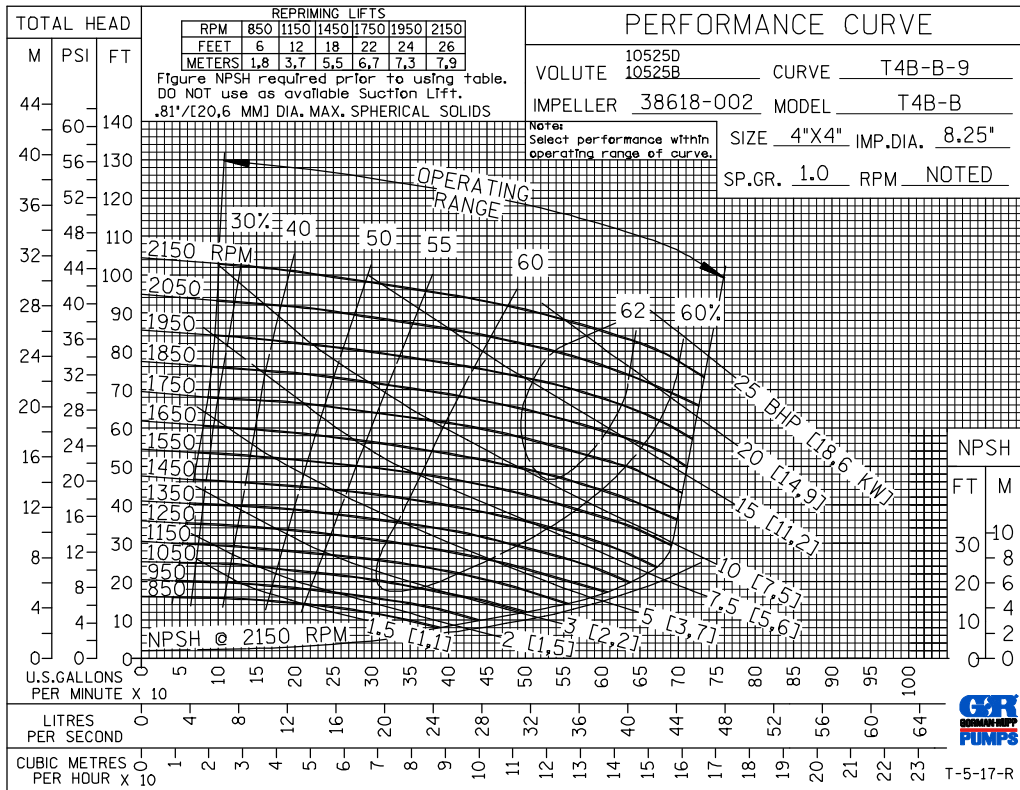
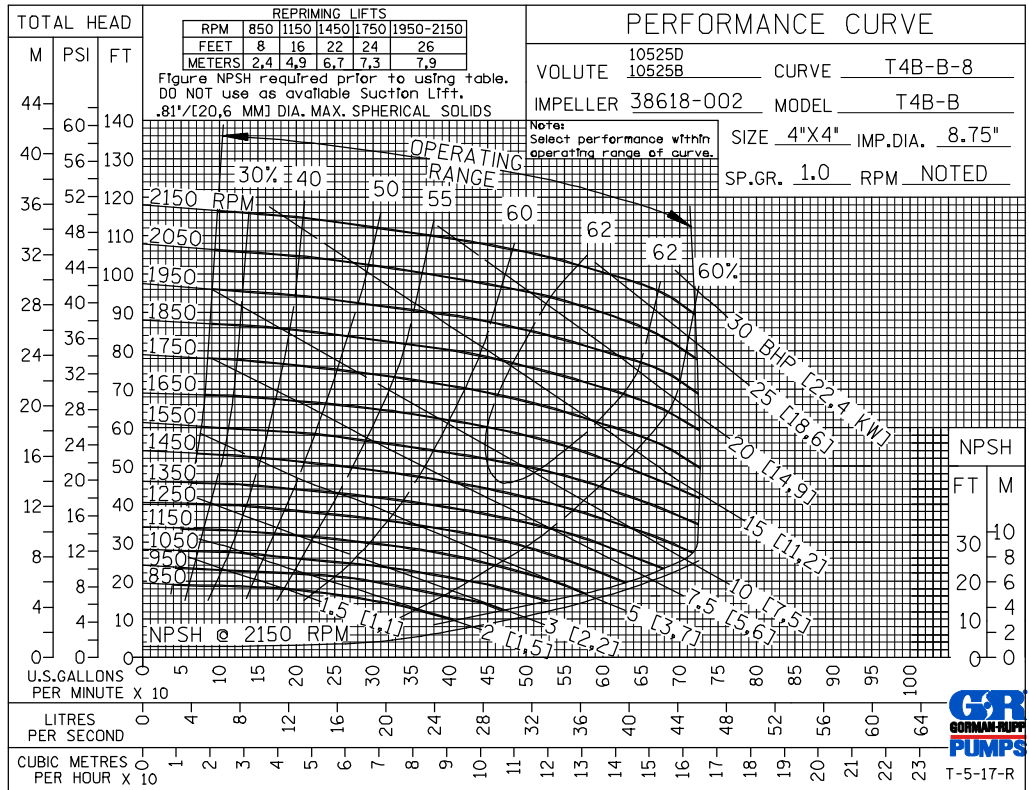
GORMAN-RUPP PUMPS

www.grpumps.com

Specifications Subject to Change Without Notice

Printed in U.S.A.



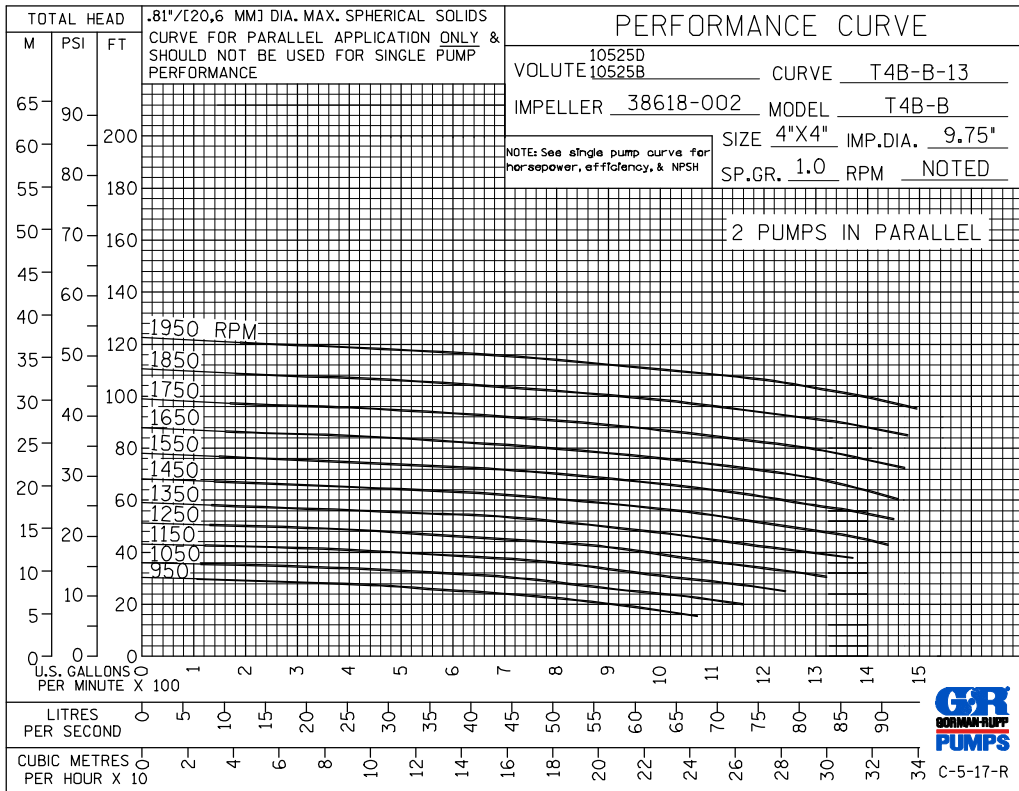
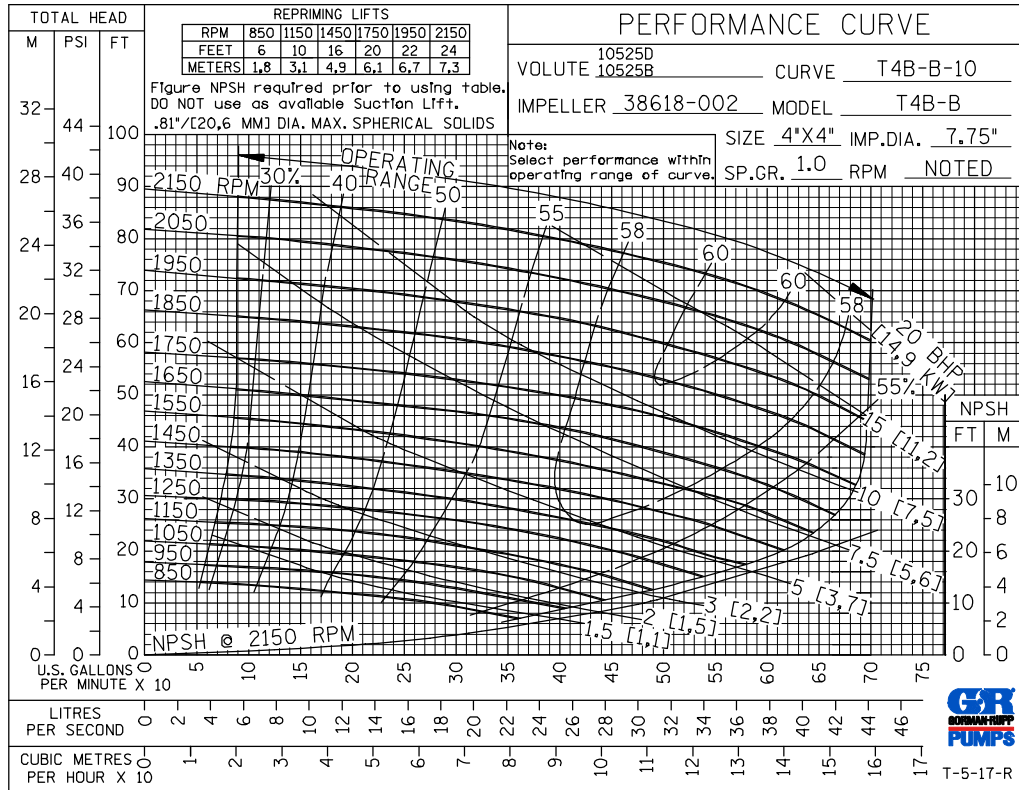


GORMAN-RUPP PUMPS

www.grpumps.com

Specifications Subject to Change Without Notice

Printed in U.S.A.

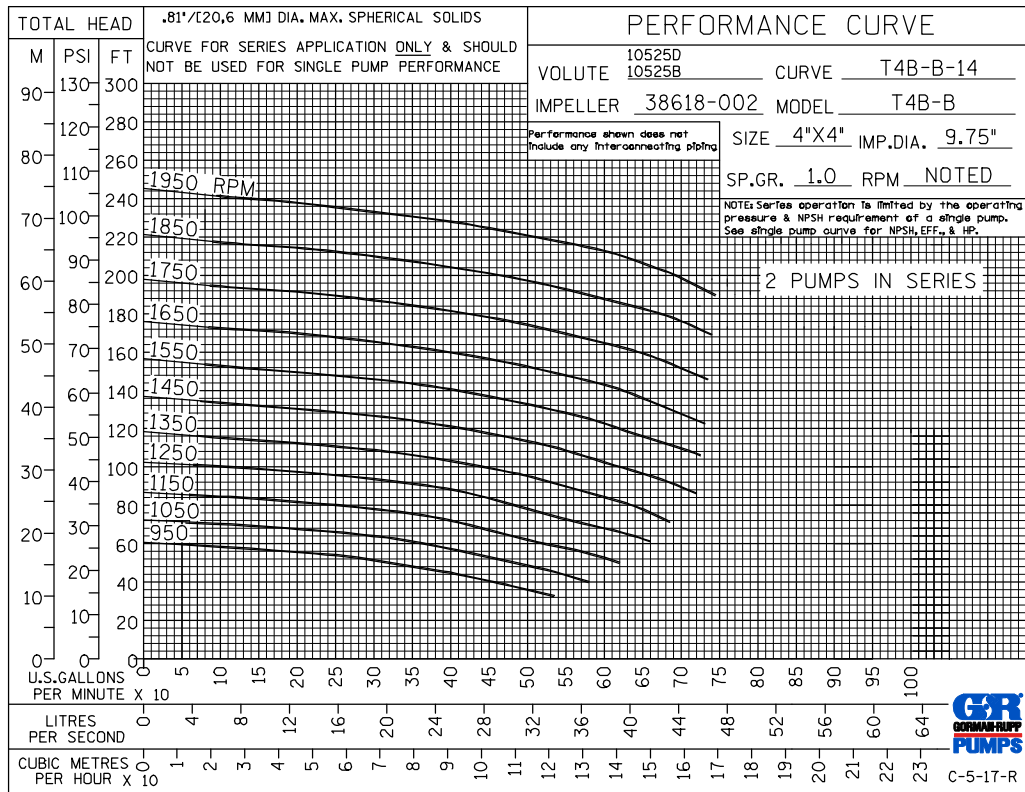


GORMAN-RUPP PUMPS

www.grpumps.com

Specifications Subject to Change Without Notice

Printed in U.S.A.



GORMAN-RUPP PUMPS

www.grpumps.com

Specifications Subject to Change Without Notice

Printed in U.S.A.