

WB/W6 Series

Dual Valve Isolation Assembly



WB/W6 Series Isolation Valves

Isolation Assembly for Testing & Sampling

- Safety relief valves at well head
 - Pressure Transmitters
 - Gauges
 - Control Valves
 - Pump-seal Water Isolation
- Allows for testing without interruption of process and costly disassembly

WB
2000 psi



SEAL WELDED!

FIRESAFE
API 607 - 5th/6th Edition
BLOCK & BLEED

W6
6000 psi



LOWER MAINTENANCE COSTS
BY **ELIMINATING** DOWN-TIME
FOR TESTING

 **A-T Controls, Inc.**

9955 International Blvd.
Cincinnati, Ohio 45246
www.atcontrols.com

PHONE (513) 247-5465
FAX (513) 247-5462
sales@atcontrols.com



WB Series

- 3/8" - 2" Block Valve; 1/4" Bleed Valve
- 316SST Construction
- CTFE Seat Standard
- Threaded Ends
- 2000 psi WOG
- Full Port
- Seal-Welded Ends
- Lockable Manual Handle
- Blowout Proof Stem
- NACE Compliant MR0175
- Firesafe design for API-607 6TH Edition

STANDARDS

DESIGN	ANSI/ASME B16.34
END CONNECTIONS	ANSI/ASME B1.20.1
PRESSURE TESTING	API 598
SULFIDE STRESS PROTECTION	NACE MR0175
FIRE SAFE	API 607-6th Edition design only
MOUNTING	ISO 5211
MARKING SYSTEM FOR VALVES	ISO 5209
MATERIAL CERTIFICATION	EN 10204-3.1 MTR
QUALITY ASSURANCE	ISO 9001:2008



W6 Series

API 607 - 5th Edition
CERTIFIED FIRESAFE

- 1/2" - 2" Block Valve; 1/4" Bleed Valve
- 316SST Construction
- PEEK Seat Standard
- Threaded Ends
- Female x Male Block Valve
- Female End Bleed Valve
- 1/2" to 1-1/2" Full Port; 2" Regular Port
- 6000 psi WOG
- Seal-Welded Ends
- Lockable Manual Handle
- Blowout Proof Stem
- NACE Compliant MR0175
- Firesafe Tested to API-607 5TH Edition

STANDARDS

DESIGN	ANSI/ASME B16.34
END CONNECTIONS	ASME B1.20.1
PRESSURE TESTING	API 598
SULFIDE STRESS PROTECTION	NACE MR0175
FIRE SAFE	API 607-5th Edition Certified
MATERIAL CERTIFICATION	EN 10204-3.1 MTR
QUALITY ASSURANCE	ISO 9001:2008

API 607 - 6th Edition
FIRESAFE DESIGN

Installing an A-T Controls WB/W6 Series block & bleed valve assembly eliminates the need for isolation on well head pressure relief feed, filter skid pressure relief and dryer skid relief feed lines. This changes the dynamics of pressure relief re-certification!

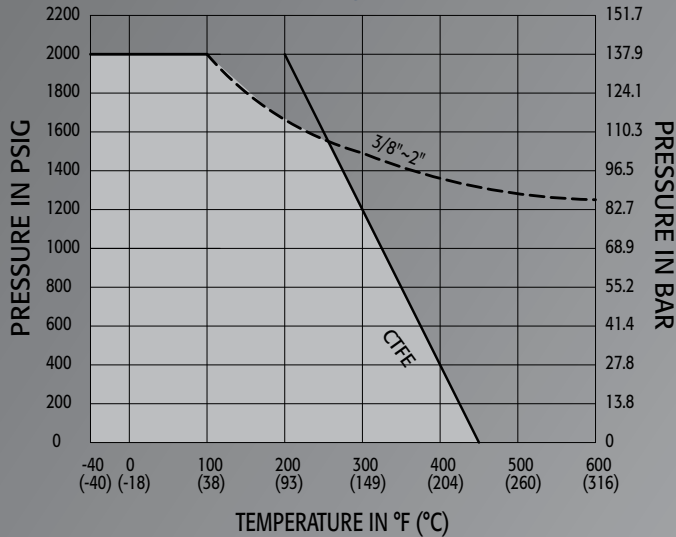
Eliminating the need for additional maintenance and component removal reduces down-time, and the possibilities of leakage and gasket replacement.

Installation of WB/W6 Series valve on a liquified petroleum loading terminal to isolate relief valve allows for efficient testing without disrupting the process.

This assembly can be used to isolate pressure changes, blow down steam traps, and pressure transmitter isolation as well as seal water on pumps.

WB Series Isolator Valve Assembly

Pressure vs. Temperature Chart
for Valves 3/8" to 2"



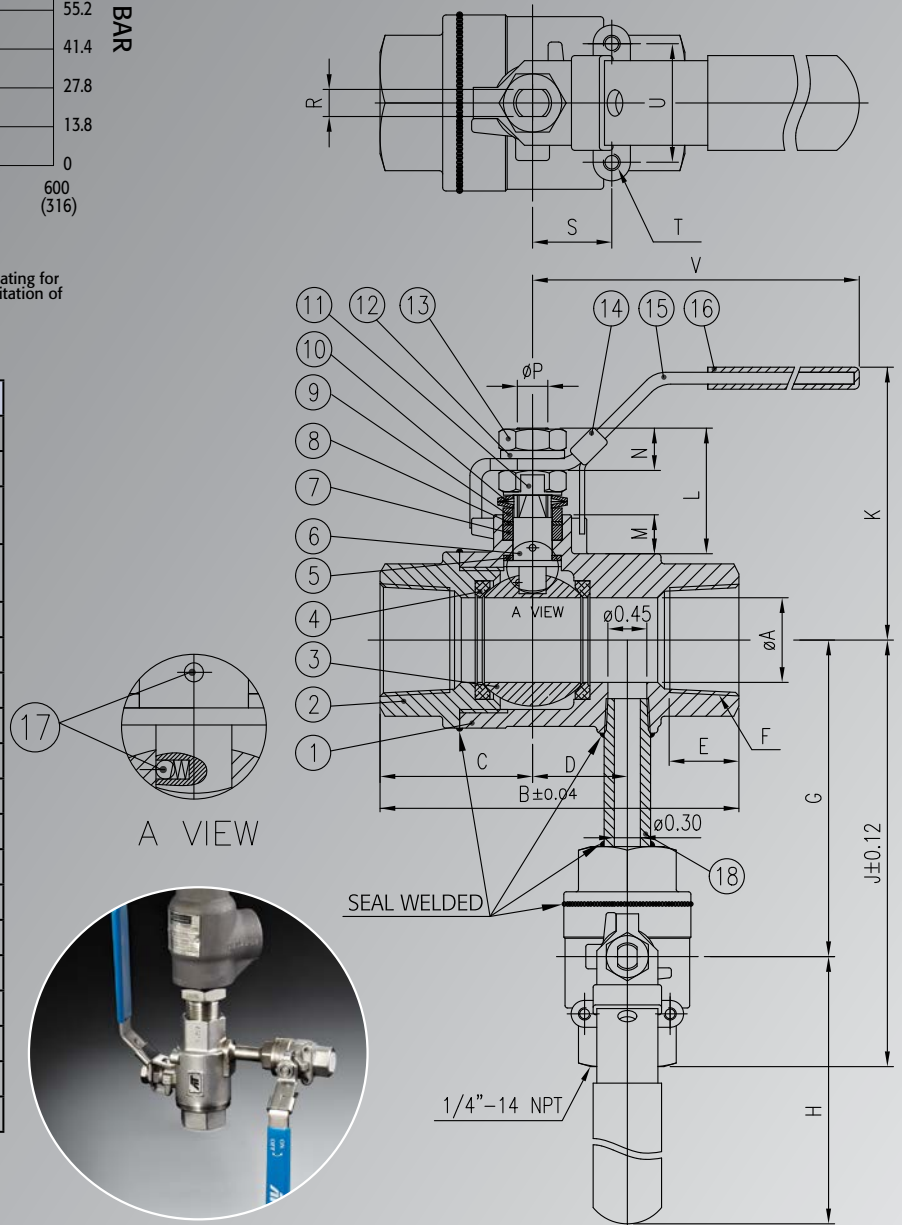
NOTE: Dotted line shows the rating for valve body. Solid line shows the rating for valve seat. Both ratings need to be considered when determining the limitation of the valve for specific application.

MATERIAL LIST

NO.	PART NAME	QTY	MATERIAL
1	BODY	1	ASTM A351 GRADE CF8M
2	END CAP	1	ASTM A351 GRADE CF8M
3	BALL	1	3/8" THRU 1/2" ASTM A276 SS316
3	BALL	1	3/4" THRU 2" ASTM A351 GRADE CF8M
4	SEAT	2	CTFE
5	THRUST WASHER	1	50/50 STFE
6	STEM	1	ASTM A276 SS316
7	STEM PACKING	1	GRAPHITE
8	STEM WASHER	1	RTFE
9	STEM PACKING NUT	1	AISI 304
10	BELLEVILLE WASHER	2	AISI 301
11	LOCK SADDLE	1	AISI 304
12	STEM WASHER	1*	AISI 304
13	STEM NUT	2	AISI 304
14	HANDLE LOCK	1	AISI 304
15	HANDLE	1	AISI 304
16	HANDLE SLEEVE	1	VINYL
17	ANTI-STATIC DEVICE	2	AISI 316
18	PIPE	1	AISI 316

*Applies to sizes 3/4" - 2" only

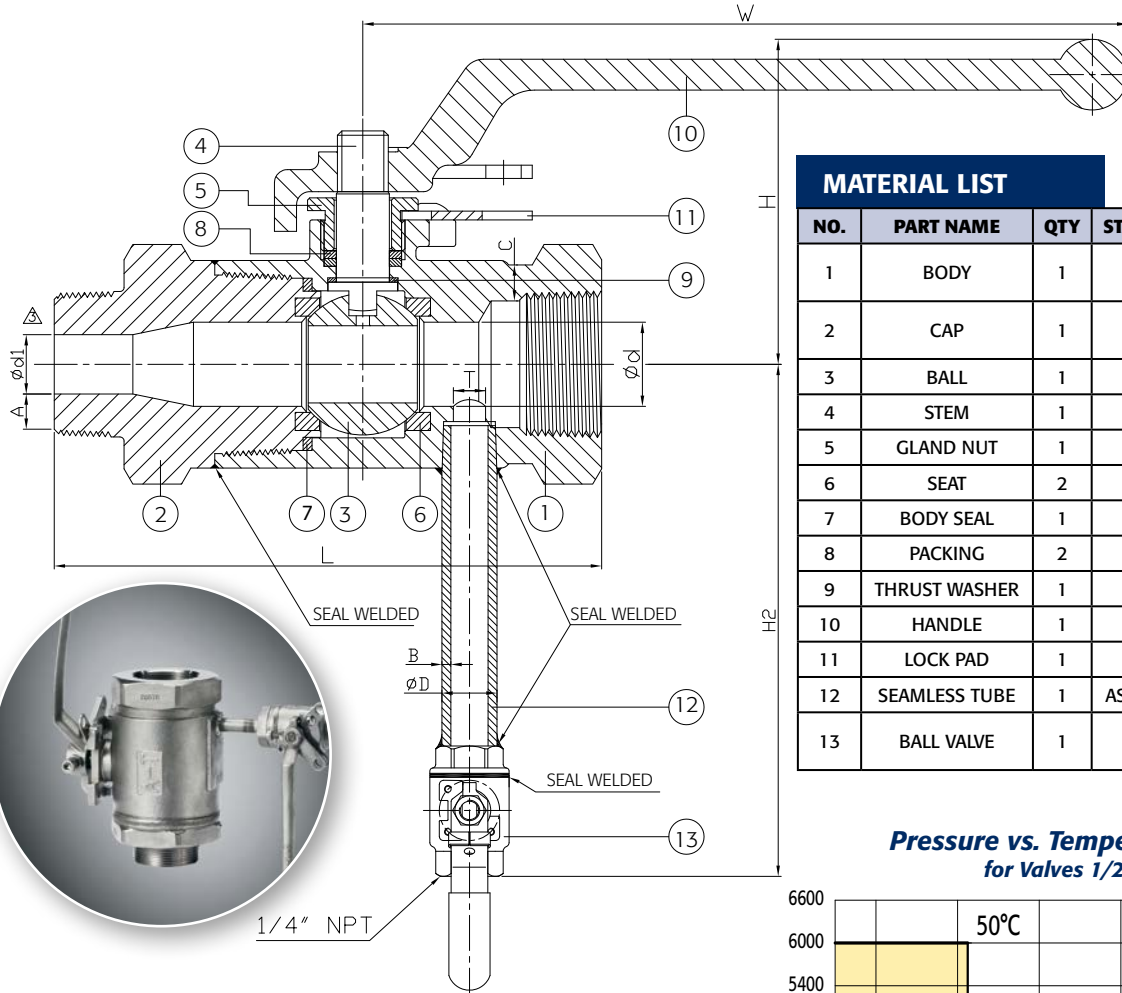
- 2-Piece Full Port Ball Valve
- 3/8" - 2" 2000psi WOG
- Threaded Ends
- NACE MR0175
- API-607 6TH Edition Firesafe Design
- Seal-Welded Design for Zero Leakage
- Blowout Proof Stem



DIMENSIONS (IN)

SIZE	A	B	C	D	E	F	G	H	J	K	L	M	N	P	R	S	T	U	V
3/8"	0.49	3.23	1.28	0.85	0.63	3/8" NPT	3.40	5.12	4.68	2.74	0.97	0.37	0.23	0.37	0.256	0.50	10-24UNC	1.12	5.12
1/2"	0.59	3.23	1.28	0.85	0.63	1/2" NPT	3.40	5.12	4.68	2.74	0.97	0.37	0.23	0.37	0.256	0.50	10-24UNC	1.12	5.12
3/4"	0.79	3.54	1.47	0.94	0.67	3/4" NPT	3.50	5.12	4.78	2.85	1.19	0.35	0.40	0.37	0.256	0.88	10-24UNC	1.38	5.12
1"	0.98	4.13	1.73	1.10	0.80	1" NPT	3.68	5.12	4.96	3.10	1.31	0.41	0.43	0.43	0.315	0.92	10-24UNC	1.38	6.50
1-1/2"	1.50	5.12	2.28	1.55	0.89	1-1/2" NPT	4.03	5.12	5.31	3.97	1.56	0.41	0.48	0.55	0.382	1.00	1/4-20UNC	1.50	7.48
2"	1.97	5.71	2.46	1.69	1.02	2" NPT	4.33	5.12	5.61	4.28	1.52	0.37	0.48	0.55	0.382	1.00	1/4-20UNC	1.50	7.48

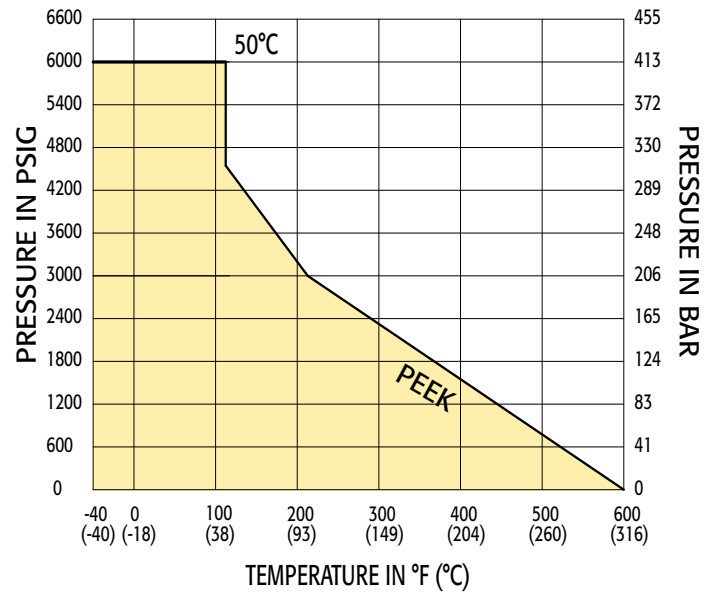
W6 Series Isolator Valve Assembly



MATERIAL LIST

NO.	PART NAME	QTY	STAINLESS STEEL	CARBON STEEL
1	BODY	1	ASTM A351 GRADE CF8M	ASTM A216 GRADE WCB
2	CAP	1	ASTM A351 GRADE CF8M	ASTM A216 GRADE WCB
3	BALL	1	17-4 PH	17-4 PH
4	STEM	1	17-4 PH	17-4 PH
5	GLAND NUT	1	AISI 304	AISI 304
6	SEAT	2	PEEK	PEEK
7	BODY SEAL	1	GRAPHITE	GRAPHITE
8	PACKING	2	GRAPHITE	GRAPHITE
9	THRUST WASHER	1	CTFE	CTFE
10	HANDLE	1	AISI 304	AISI 304
11	LOCK PAD	1	AISI 304	AISI 304
12	SEAMLESS TUBE	1	ASTM A312 TP316	ASTM A312 TP316
13	BALL VALVE	1	ASTM A351 GRADE CF8M	ASTM A216 GRADE WCB

Pressure vs. Temperature Chart
for Valves 1/2" to 2"



- 2-Piece Ball Valve
- 1/2" to 1-1/2" Full Port; 2" Regular Port
- 6000 psi WOG
- Threaded Ends
- Female x Male Block Valve
- Female End Bleed Valve
- NACE MR0175
- API-607 5TH Edition Certified Firesafe
- Seal-Welded Design for Zero Leakage
- Blowout Proof Stem

DIMENSIONS (IN)

SIZE	d	d1	L	H	H2	W	T	A	B	C	D
1/2"	0.50	0.25	4.09	2.23	5.51	5.59	0.24	0.22	0.08	0.36	0.47
3/4"	0.75	0.43	4.69	3.00	5.71	6.81	0.24	0.23	0.08	0.42	0.47
1"	1.00	0.60	5.35	3.27	5.71	6.81	0.24	0.23	0.08	0.50	0.47
1-1/2"	1.50	1.10	5.98	4.61	6.50	9.74	0.24	0.30	0.08	0.62	0.47
2"	1.50	1.27	6.57	4.61	6.50	9.74	0.24	0.45	0.08	0.68	0.47

A-T Controls reserves the right to change product designs and technical/dimensional specifications without notice.