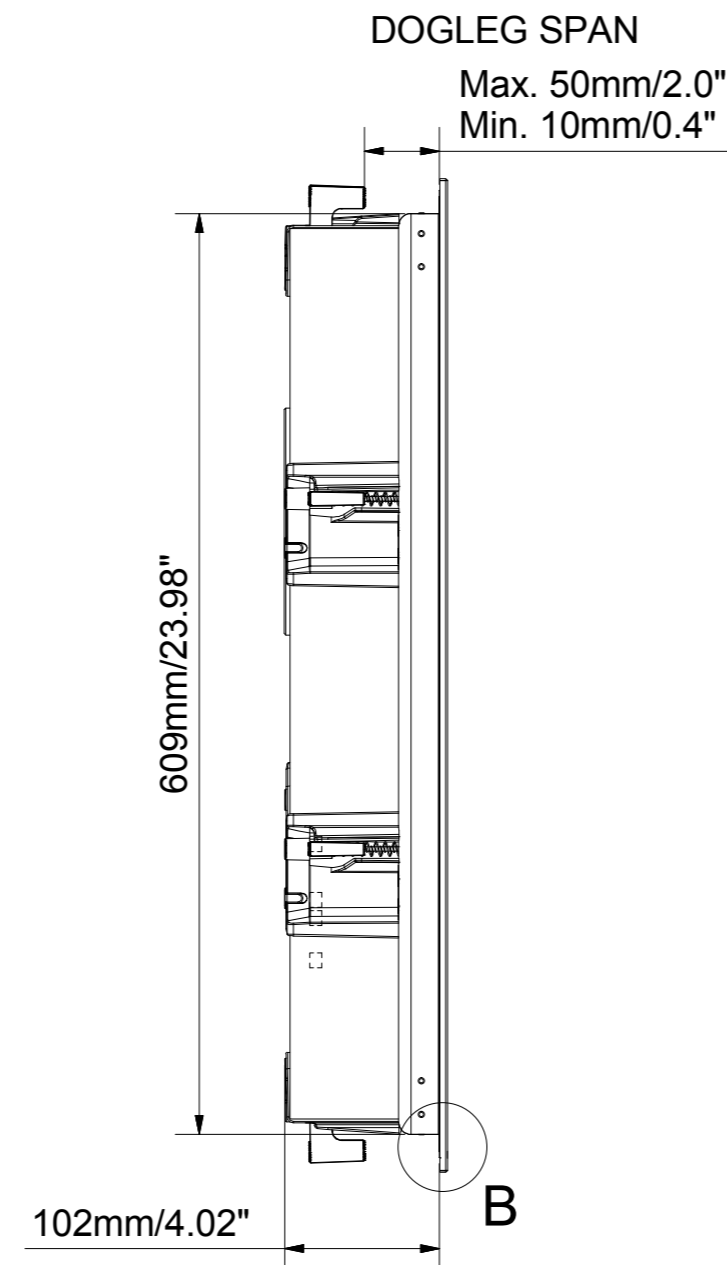
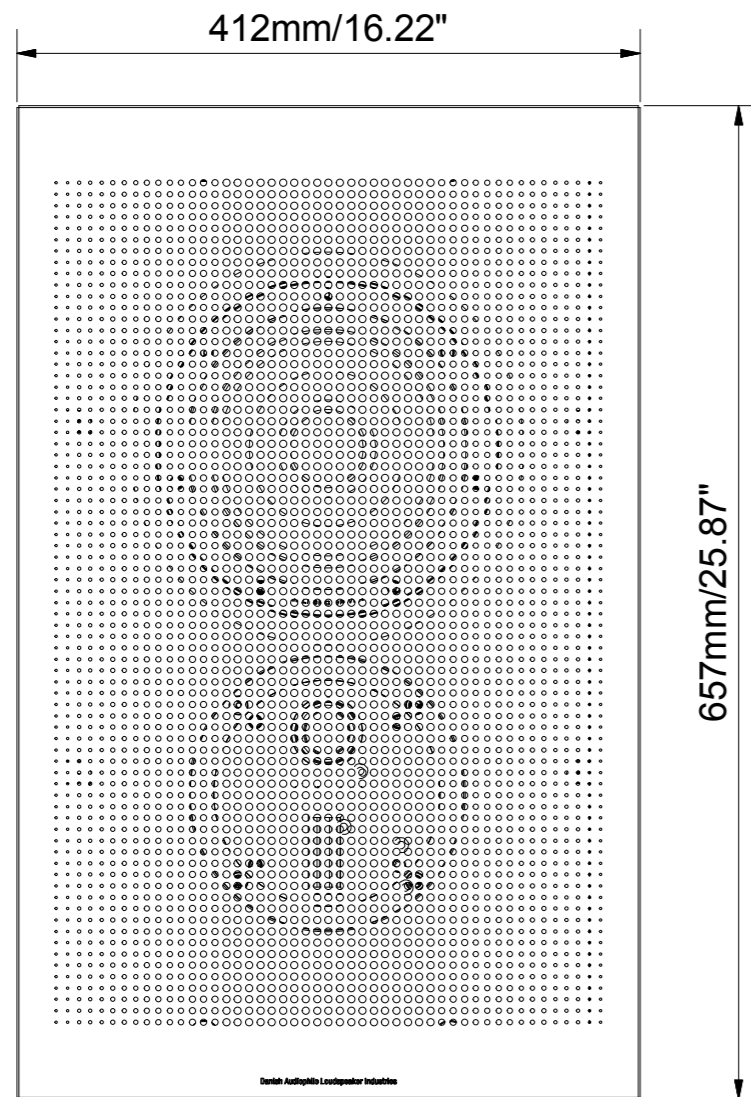


4

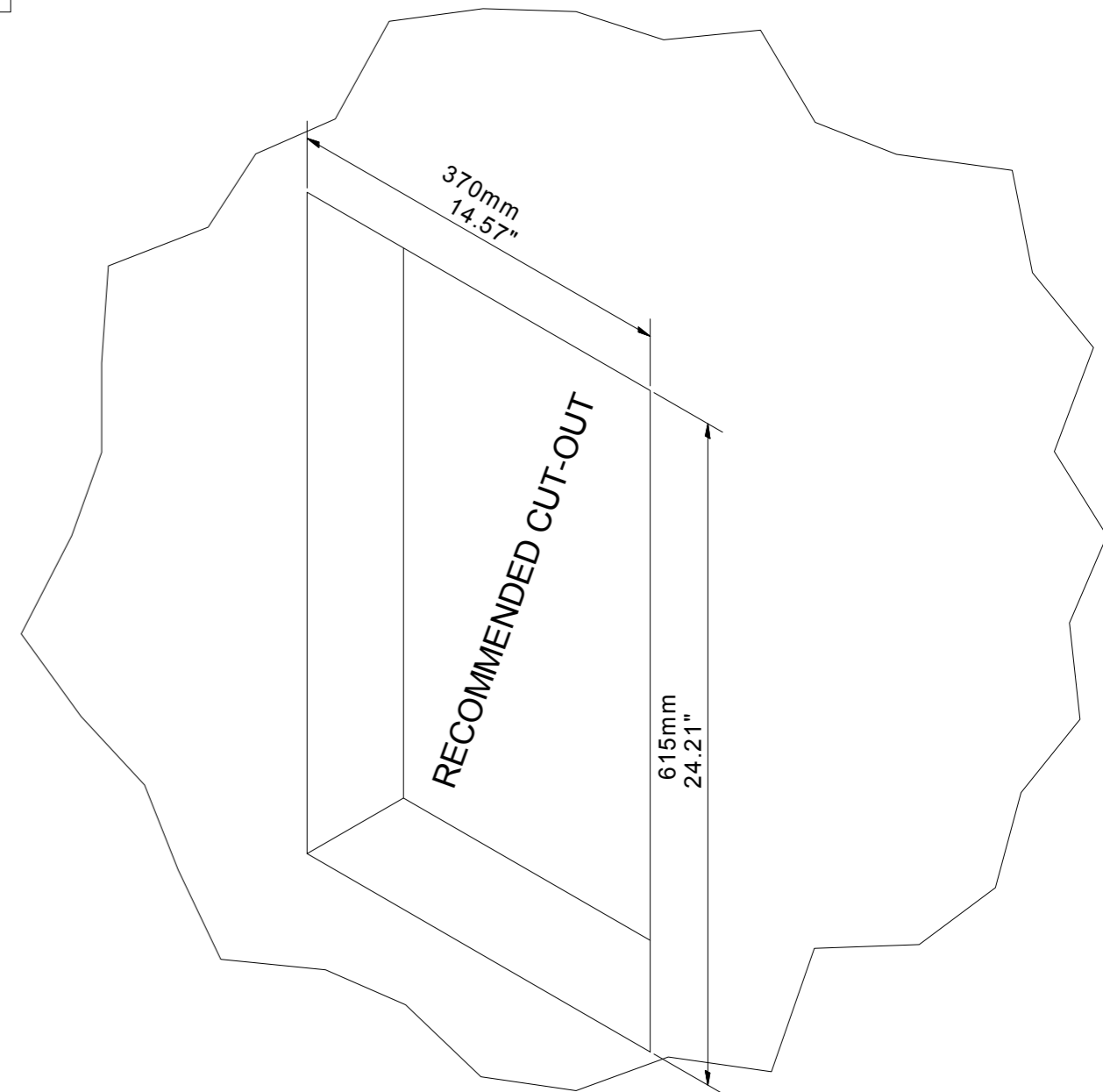
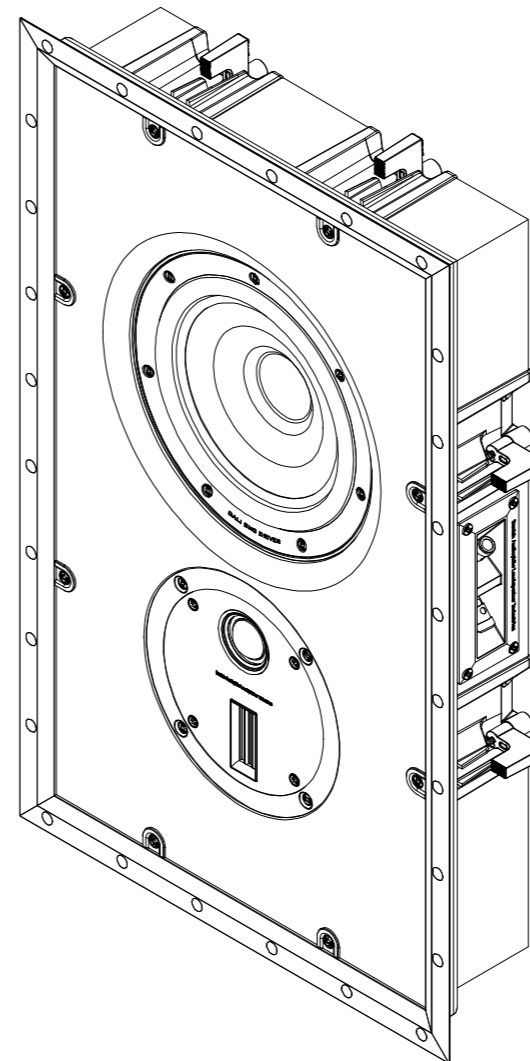
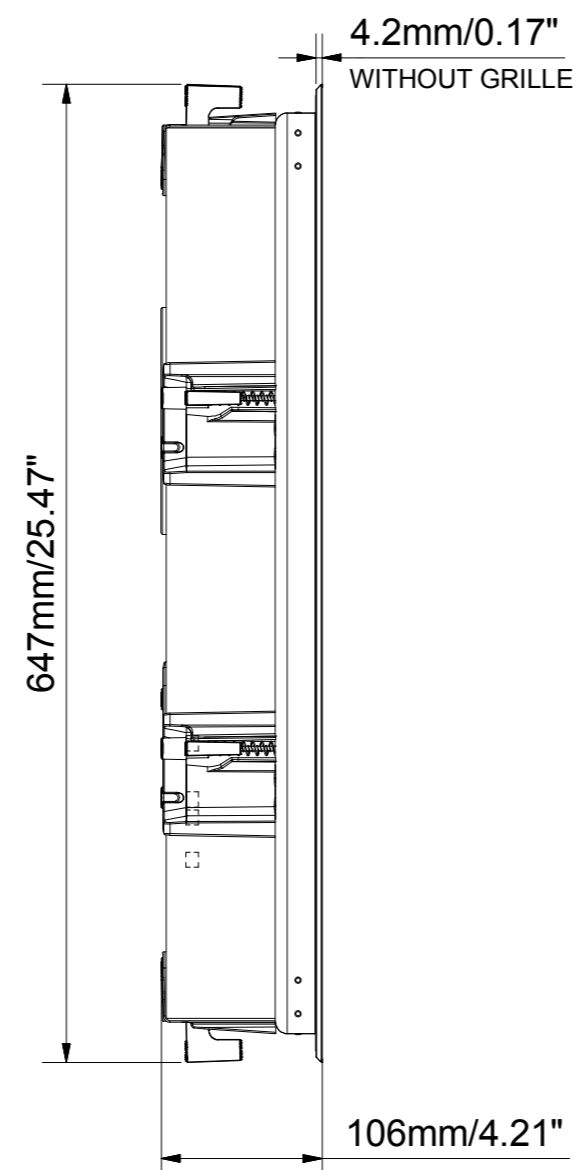
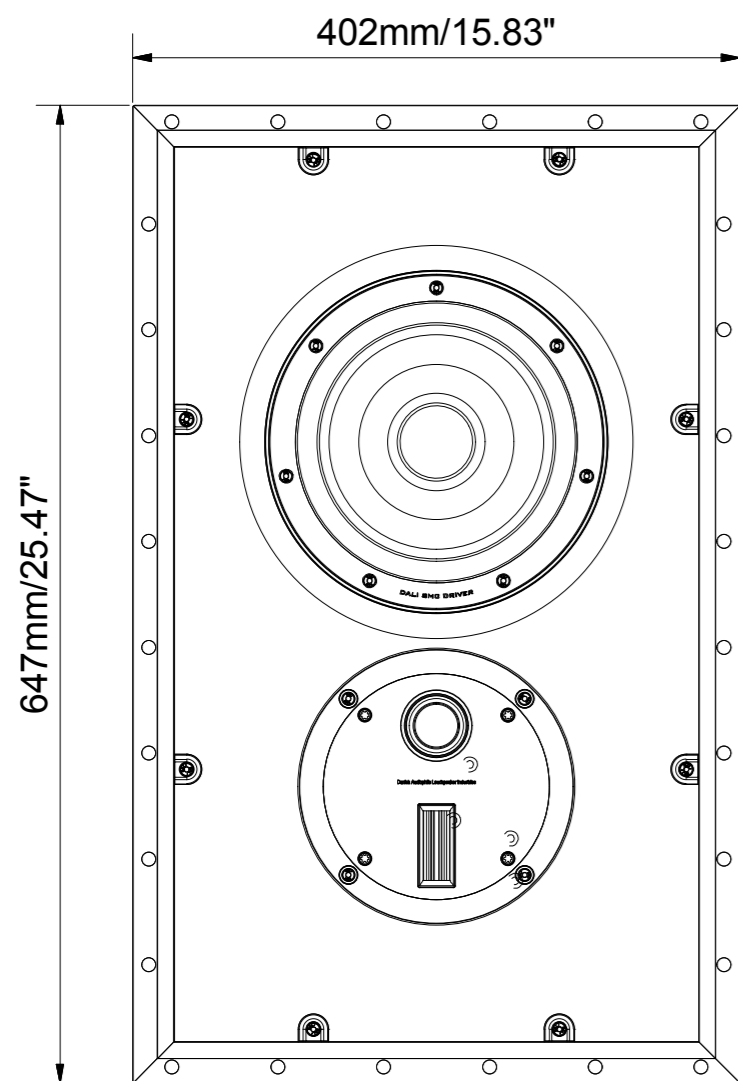
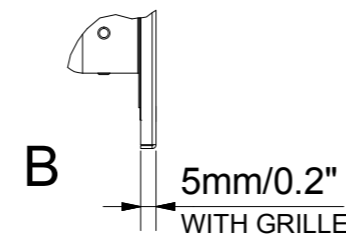
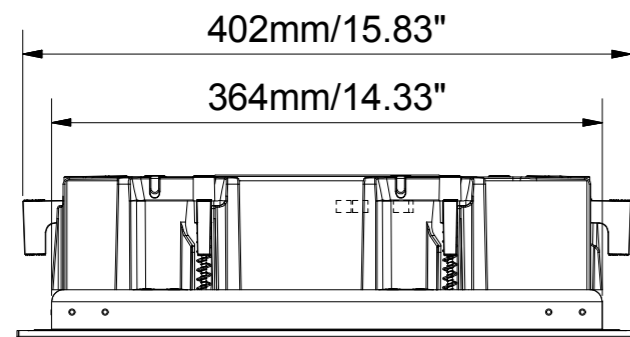
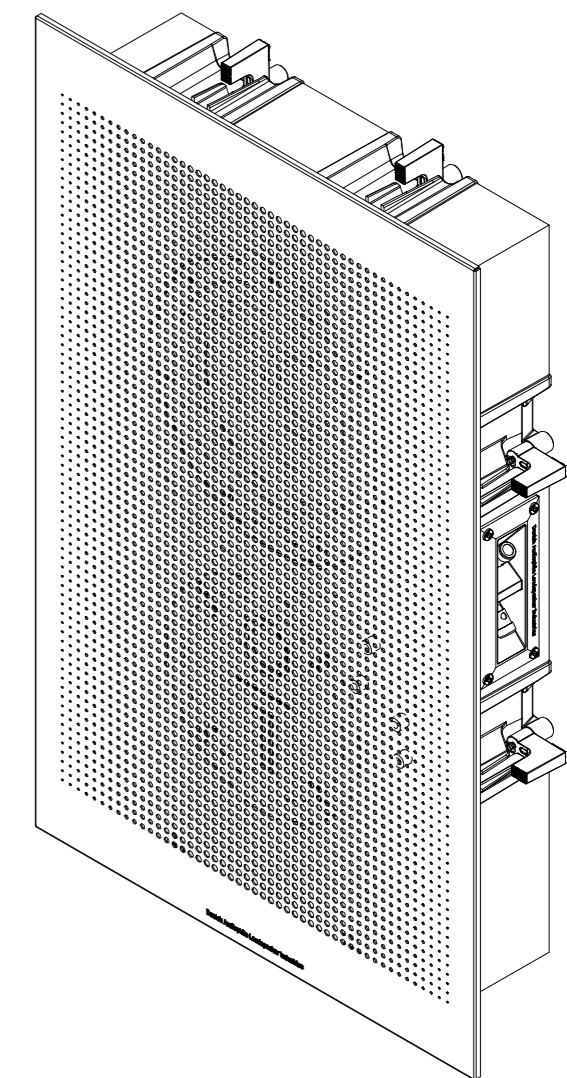
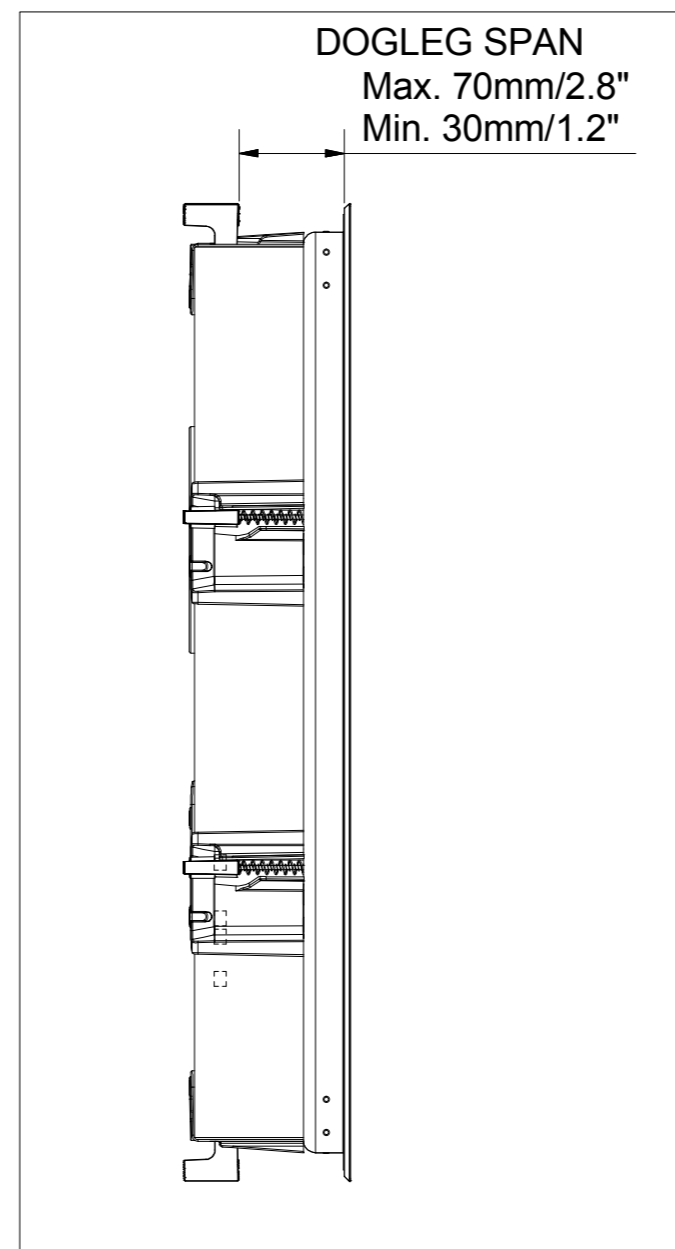
3

2


1



REVERSED DOGLEG POSITION



WEIGHT: 13,5KG

Material:		General tolerances: DS/ISO 2768		From mm: 0,5 3 6 30 120 400 1000 2000									
Drawn by: dro		Created: 15-11-2016		Scale:		To mm (incl.):		Fine ± 0,05 0,05		Medium ± 0,1 0,1		Rough ± 0,2 0,3	
Part no: 262080 PHANTOM S-80		Revision: A		Sheet: 1 / 2		Format: A2		 <b>DALI A/S</b> Dali Allé 1 DK-9610 Nrager, Denmark Tel. +45 9672 1155 Fax +45 9855 1940					
Drawing no.: 262080 PHANTOM S-80 Outer Dimension													

4


3

2

1

REV	DATE	ENGINEER	APPROVED	DESCRIPTION	ECO
A	26-04-2017	DRO		RELEASED FOR PRODUCTION	



Title:	<b>Revision sheet</b>	Sheet:	<b>2 / 2</b>	 <b>DALI A/S</b> Dali Allé 1 DK-9610 Nørager, Denmark Tel. +45 9672 1155 Fax +45 9855 1940
Drawing no.:	<b>262080 PHANTOM S-80 Outer Dimension</b>	Format:	<b>A4</b>	