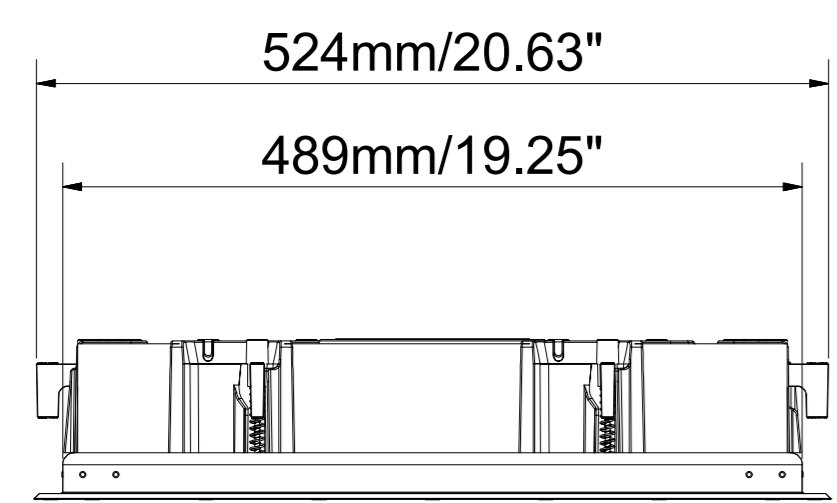
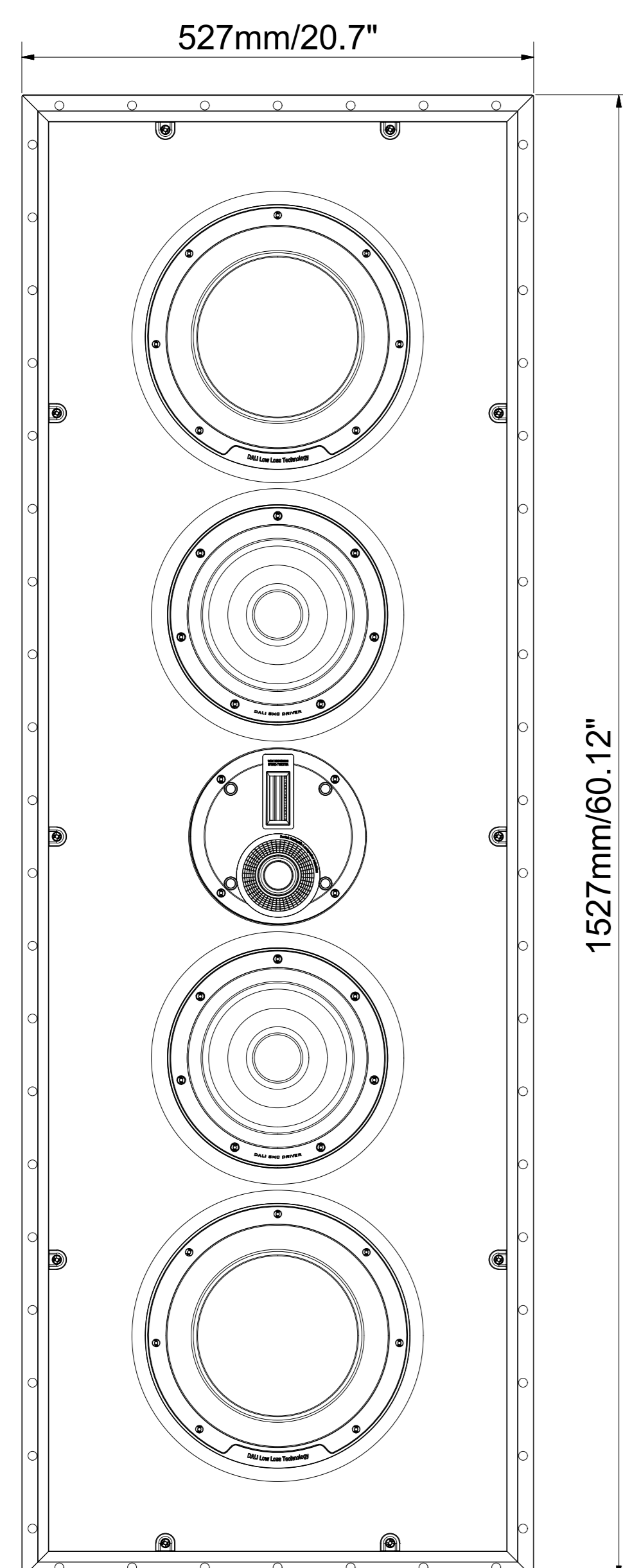


1537mm/60.51"



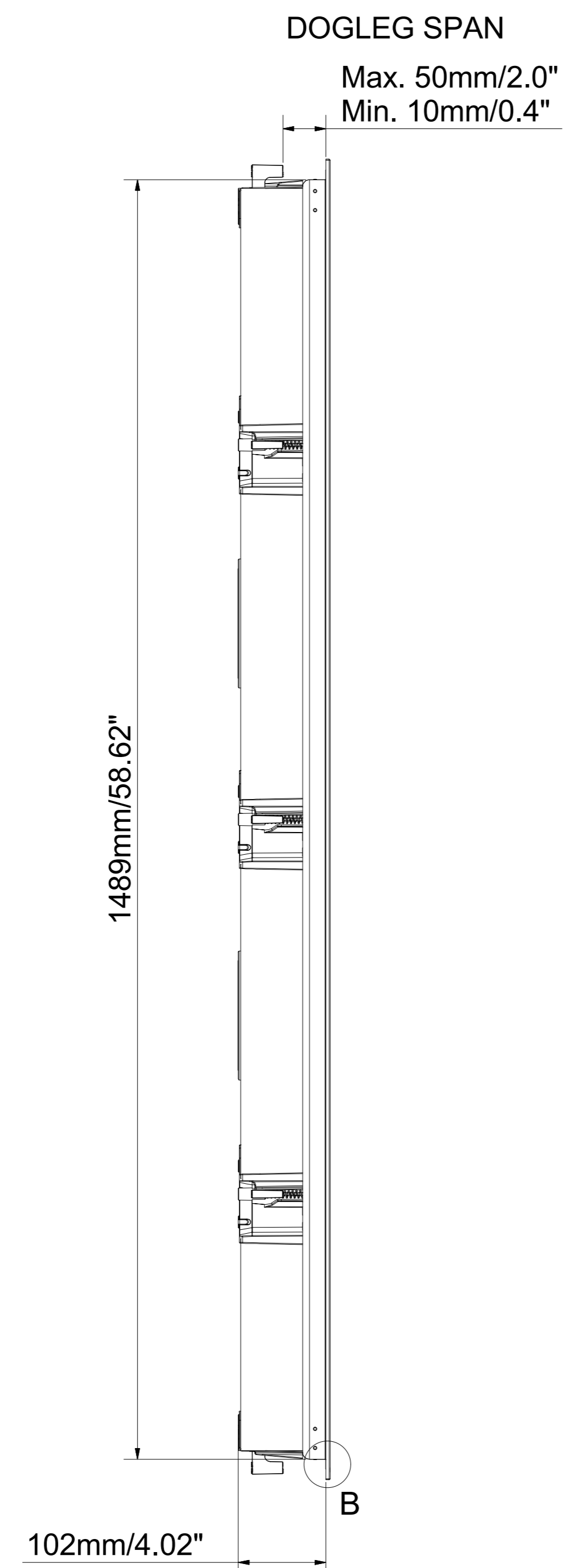
524mm/20.63"

489mm/19.25"



527mm/20.7"

1527mm/60.12"

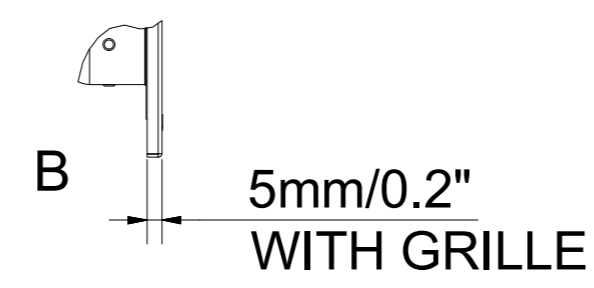


DOGLEG SPAN
Max. 50mm/2.0"
Min. 10mm/0.4"

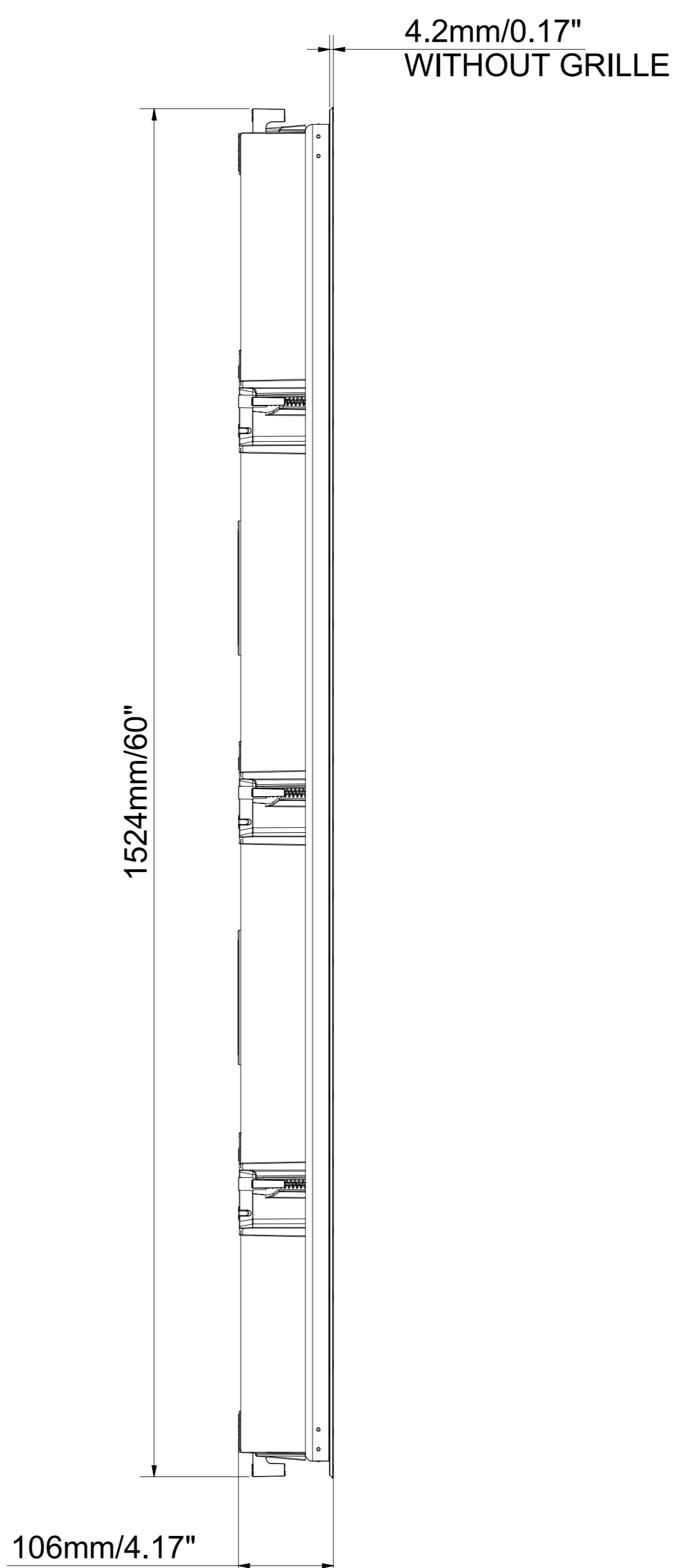
1489mm/58.62"

102mm/4.02"

B



5mm/0.2"
WITH GRILLE



REVERSED DOGLEG POSITION
Max. 70mm/2.8"
Min. 30mm/1.2"

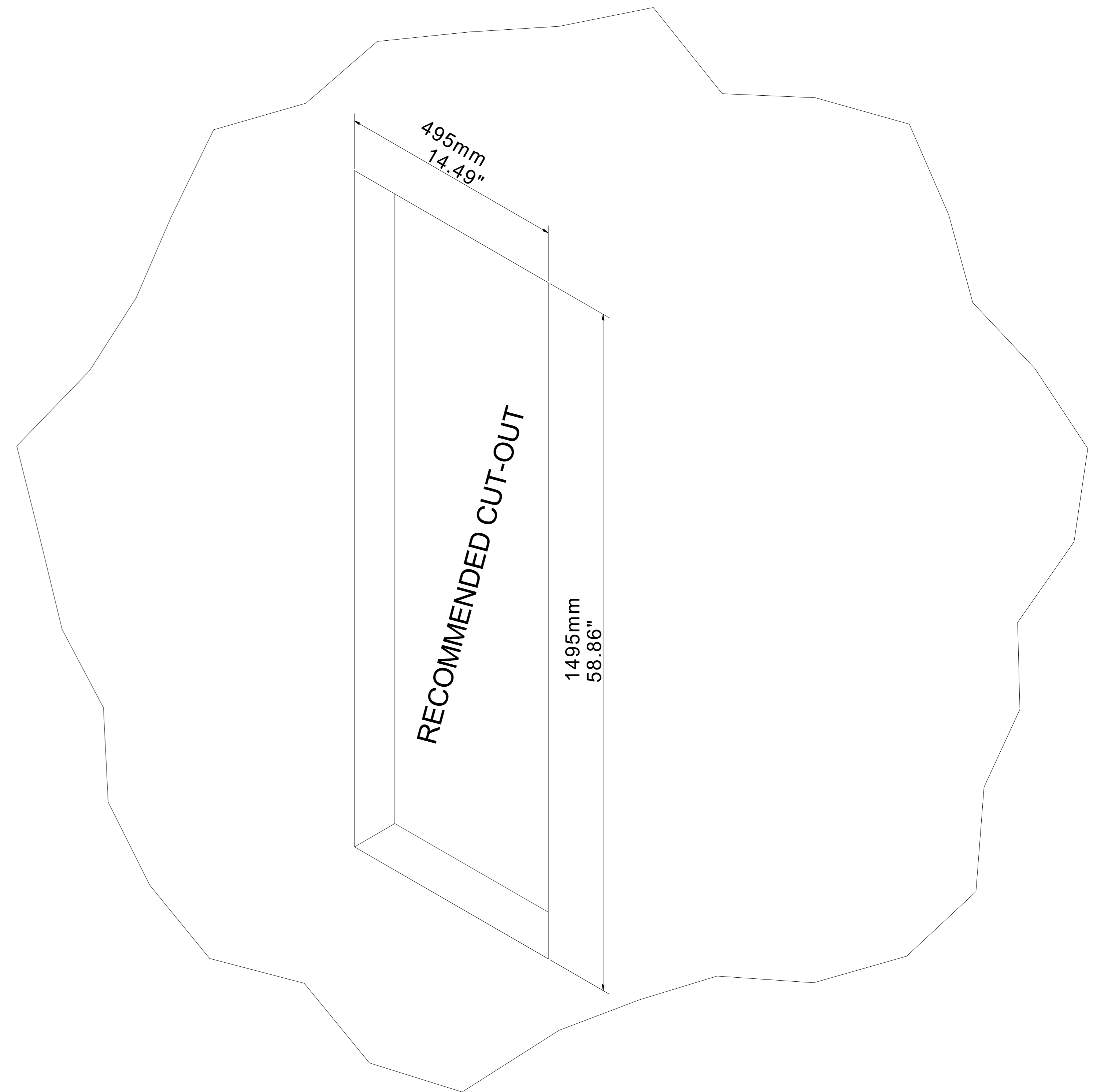
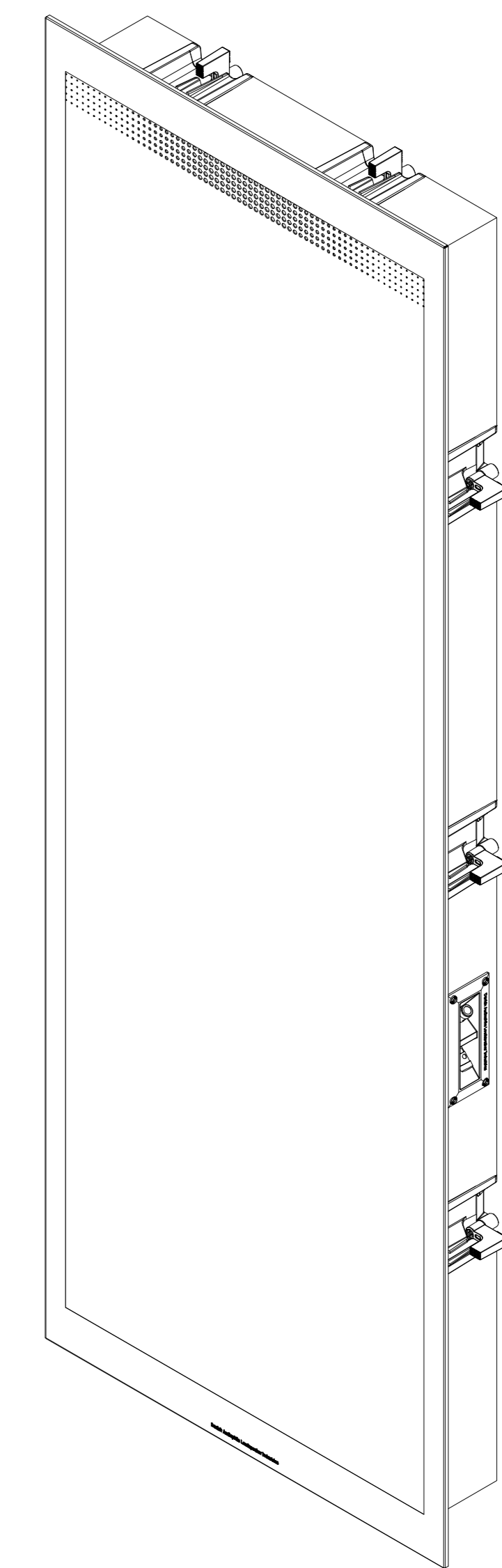
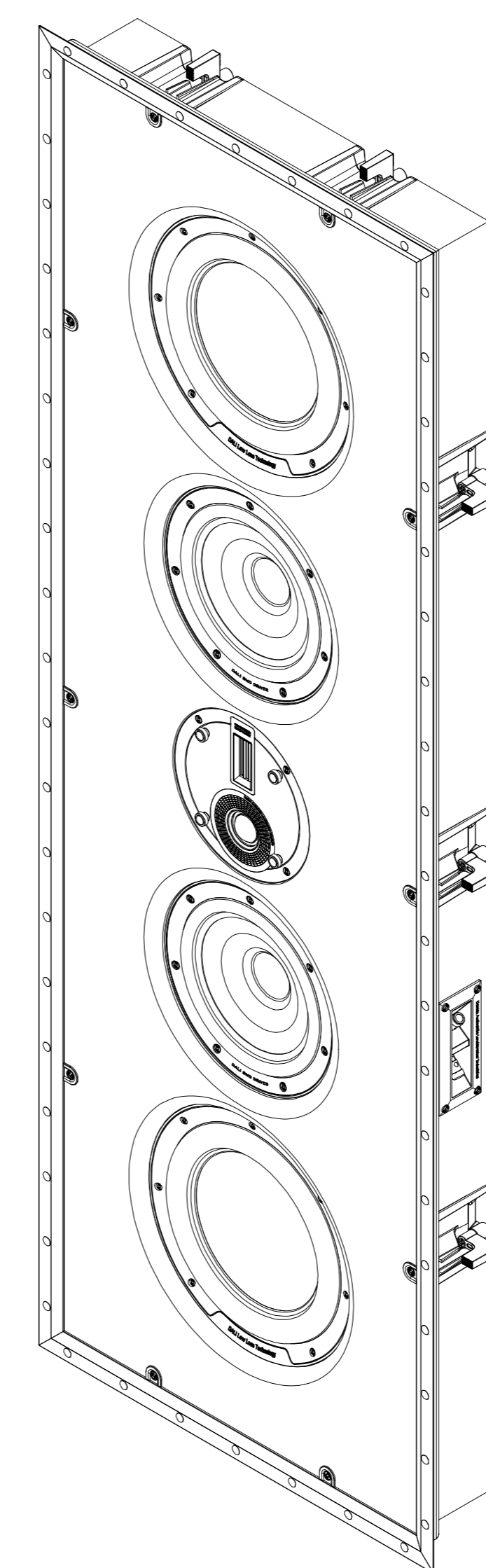
REVERSED DOGLEG POSITION
Max. 70mm/2.8"
Min. 30mm/1.2"

DOGLEG SPAN
Max. 70mm/2.8"
Min. 30mm/1.2"

1524mm/60"

106mm/4.17"

B



RECOMMENDED CUT-OUT

495mm
14.49"

1495mm
58.86"

WEIGHT: 35KG

Material:	From mm:	0.5	3	6	30	120	400	1000
Drawn by:	To mm (inch):	1	6	30	120	400	1000	2000
Created:	File #	0.05	0.05	0.1	0.15	0.2	0.3	0.5
Scale:	File #	0.1	0.1	0.2	0.3	0.5	0.8	1.2
Part no:	Sheet:	1	2	3	4	5	6	7
262082 PHANTOM S-280	Revision:	1	2	3	4	5	6	7
Drawing no:	Formal:	A0	A1	A2	A3	A4	A5	A6
262082 PHANTOM S-280 Outer Dimension	Formal:	A0	A1	A2	A3	A4	A5	A6



REV	DATE	ENGINEER	APPROVED	DESCRIPTION	ECO
A	26-04-2017	DRO		RELEASED FOR PRODUCTION	

B

B

A

A

Title:	Revision sheet	Sheet:	2 / 2	 DALI A/S Dali Allé 1 DK-9610 Nørager, Denmark Tel. +45 9672 1155 Fax +45 9855 1940
Drawing no.:	262082 PHANTOM S-280 Outer Dimension	Format:	A4	

4

3

2

1