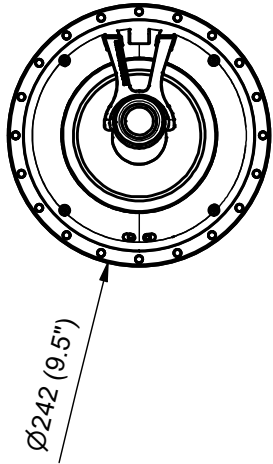


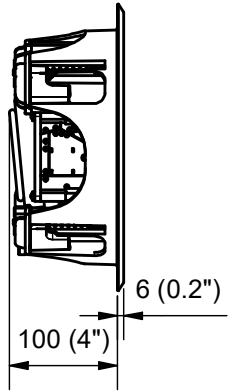
4

FRONT



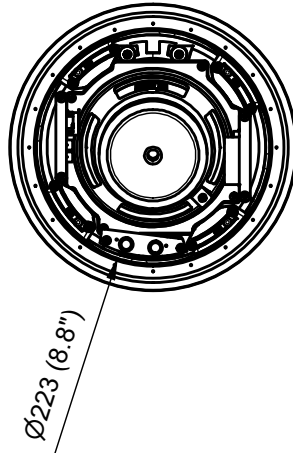
3

MOUNTING DEPTH



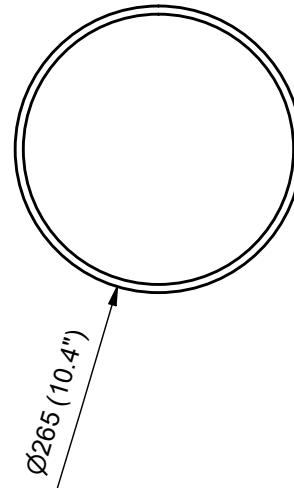
2

RECOMMENDED CUTOUT

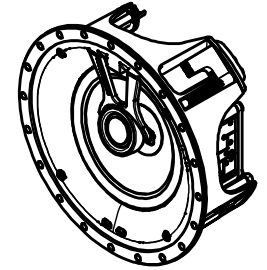


1

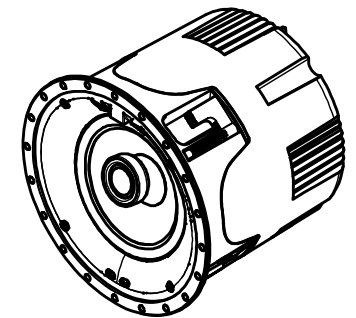
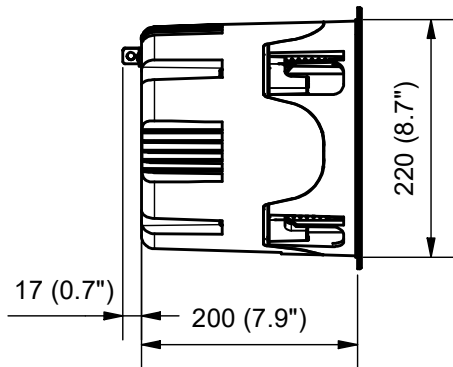
GRILLE



ISOMETRIC



MOUNTING DEPTH
W/BACK CAN



| | | | | | | |
|---|---------------|-----------|------------------------|-----------------|-------------------------------------|---|
| Format: A4 | Sheet: 1/1 | Drawn by: | Created: 30-09-2021 | RELEASED | Revision: A 25-10-2021 |  DALI A/S Dall Allé 1 DK-9610 Nørager Denmark Tel. +45 9672 1155 Fax +45 9855 1940 |
| Description: PHANTOM K-60 OUTER DIMENSIONS | | | | | | |