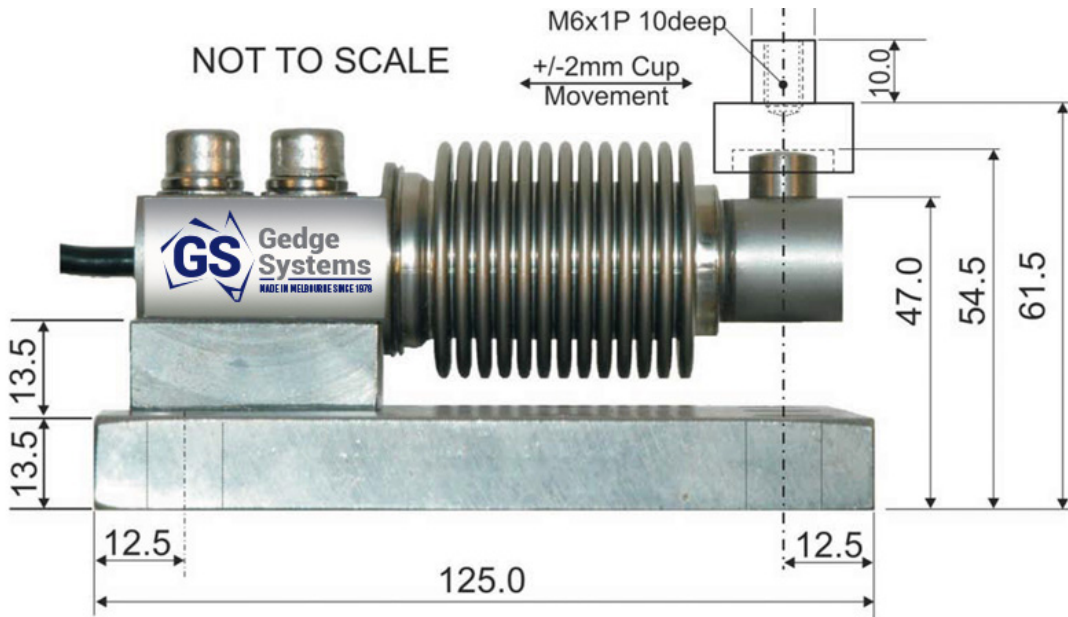
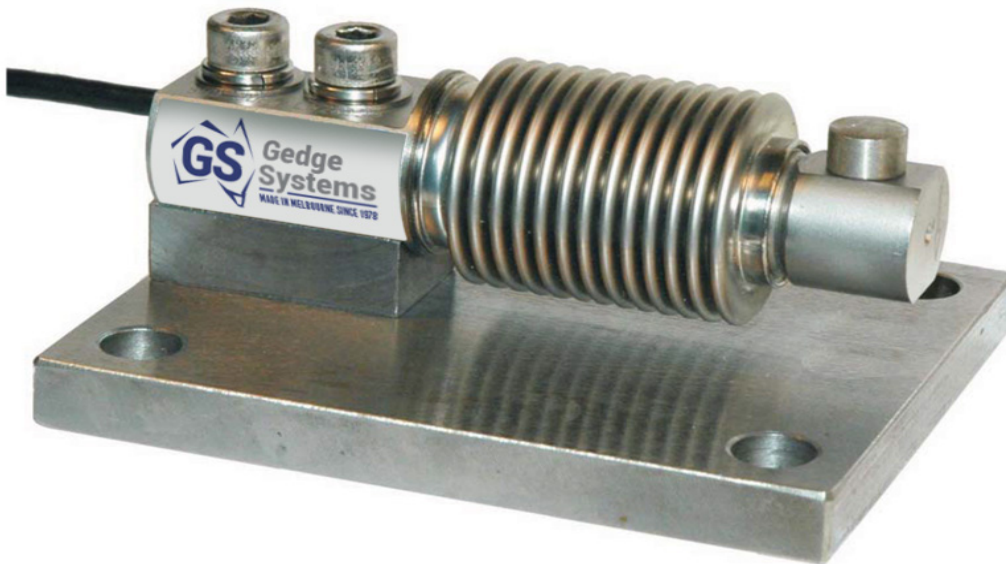


GKBP2101S Stainless type 304 & 316 Base Plate with GK2101S 5kg~500kg IP68 Stainless Bending Beam Load Cell and Load Button.

GEDGE SYSTEMS - Since 1978 Australia's Leading Manufacturer of High Accuracy Weighing Electronics now bringing you Superior Quality Gedge Load Cells.



GKBP2101S Stainless type 304 & 316 Base Plate with GK2101S 5kg~500kg IP68 Stainless Bending Beam Load Cell and Load Button.

ORDER

- GKBP2101S Base Plate in 304 Stainless Steel OR GKBP2101SS in type 316 Stainless Steel
- GKSP2101S Spacer Plate in 304 Stainless Steel OR GKSP2101SS in type 316 Stainless Steel
- M8BSET50S Stainless Steel type 316/A4-70 50mm Bolt & Washer Set (2 of each)
- GK2101S Stainless Steel (17-4PH) Bending Beam Load Cell - capacity to suit application.



GK-LB21S Stainless 420 Load Button for 50kg to 200kg Capacity OR GK-LB21SS in type 316 Stainless or GK-LB35S 420SS for 350kg & 500kg



PLUS GK-LC21S 420 Stainless Load Cup OR GK-LC21SS Load Cup in type 316 Stainless



OR GK-GBP21S 420 Stainless Guided Bearing Plate



OR GK-FBP21S 420 Stainless Flat Bearing Plate

DIMENSIONS

