

Radiolucent Head Frame

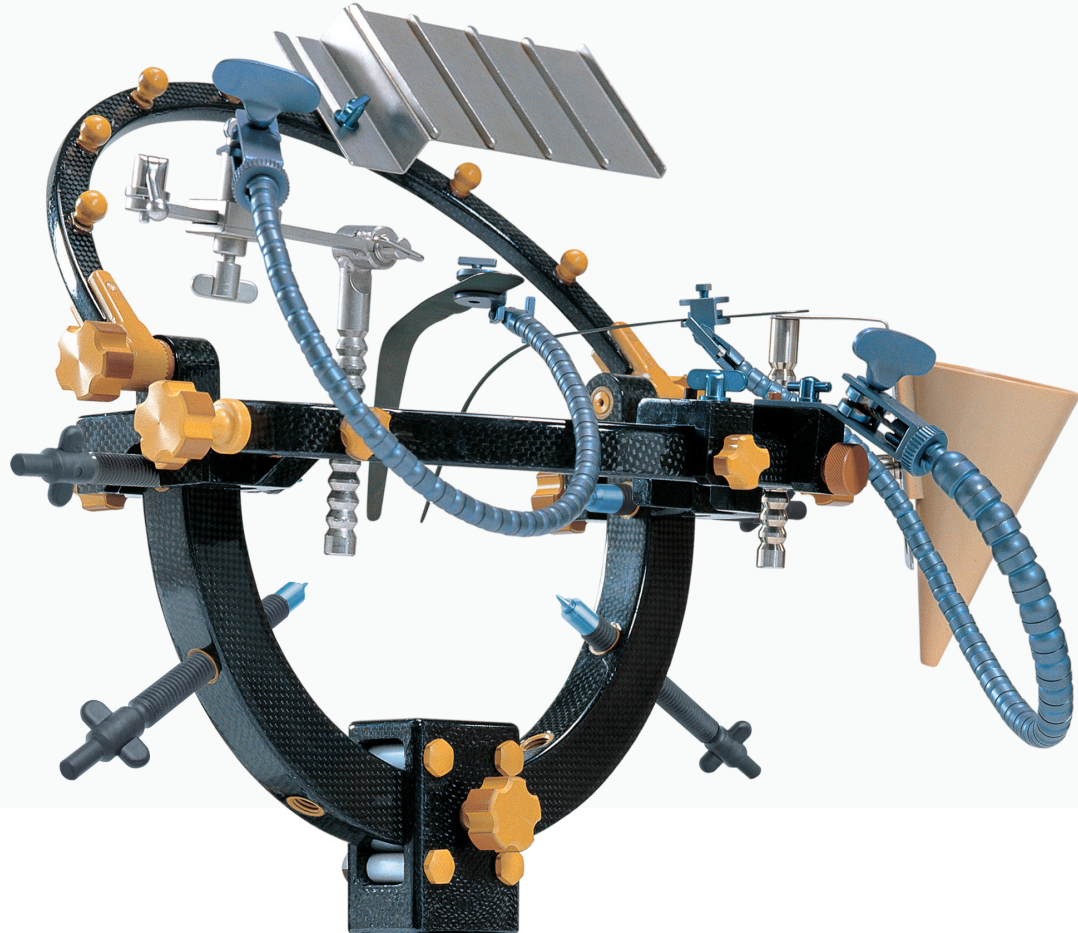
New 360 Degree Rotatable
Radiolucent Head Frame



The Mizuho Carbon Radiolucent Head Frame For better operability and accessibility.

Radiolucent Head Frame

New 360 Degree Rotatable Radiolucent Head Frame

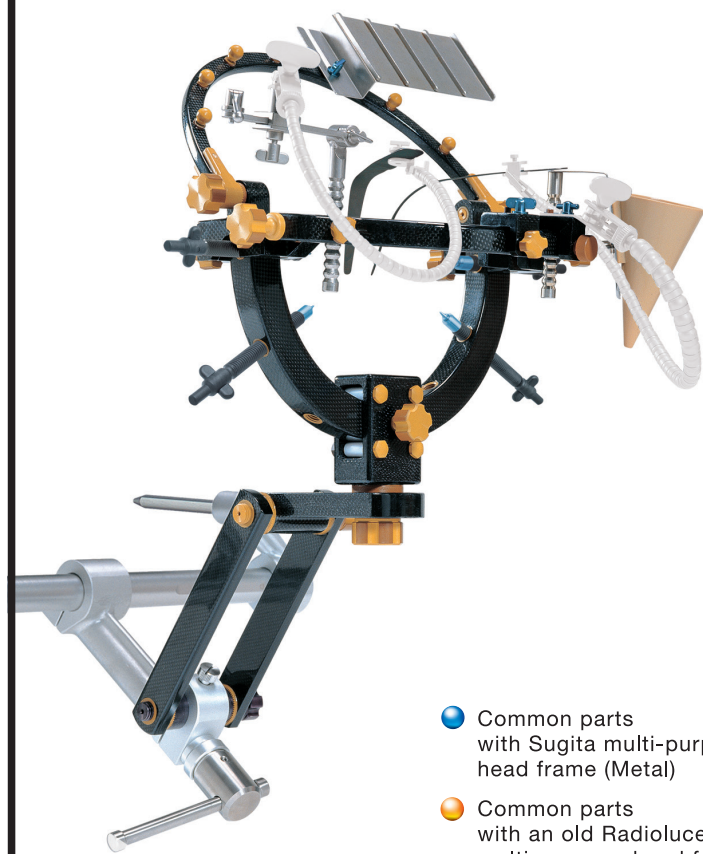


Head Arm Base, Up Grade Kit for Intraoperative CT
minimizes interference with intraoperative CT gantry
by removing head arm during patient screening.



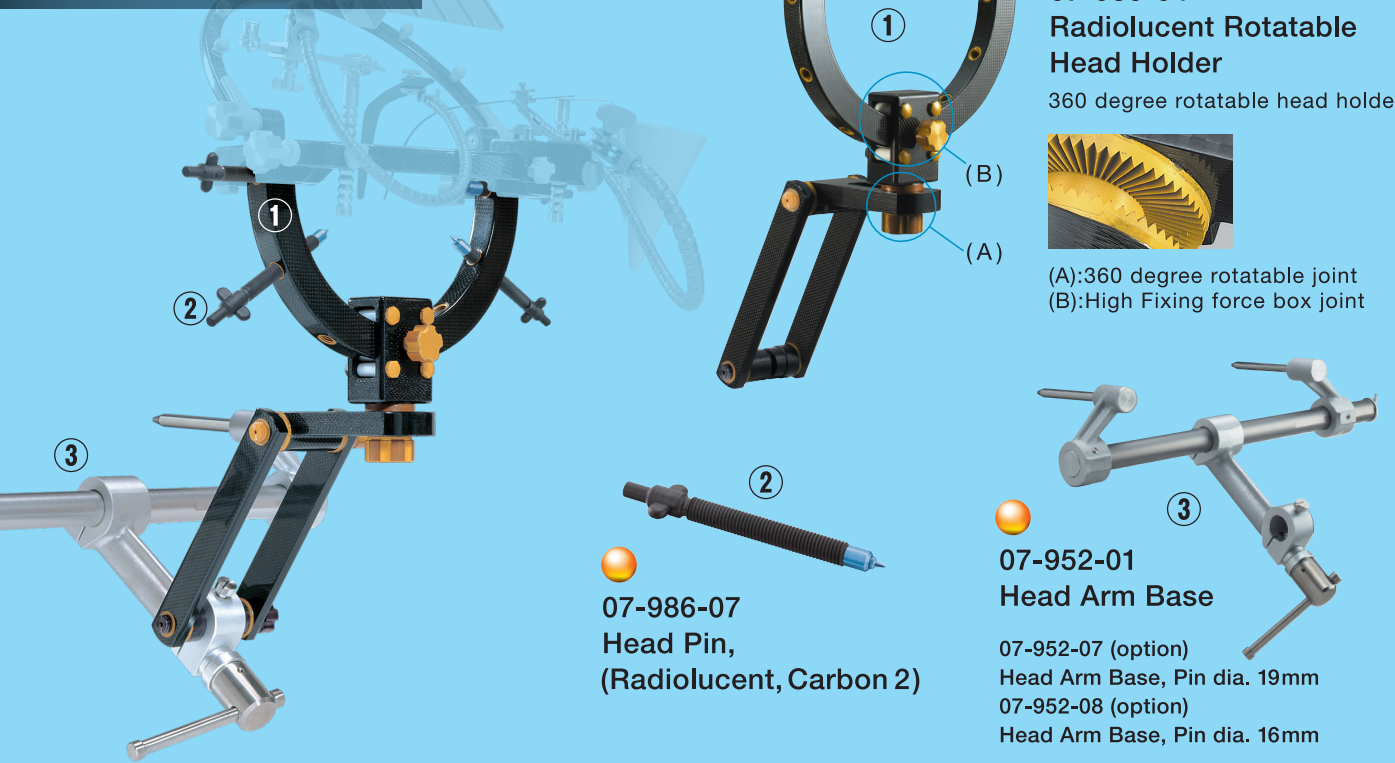
Radiolucent Head Frame

Mizuho Radiolucent Head Frame Complete Set

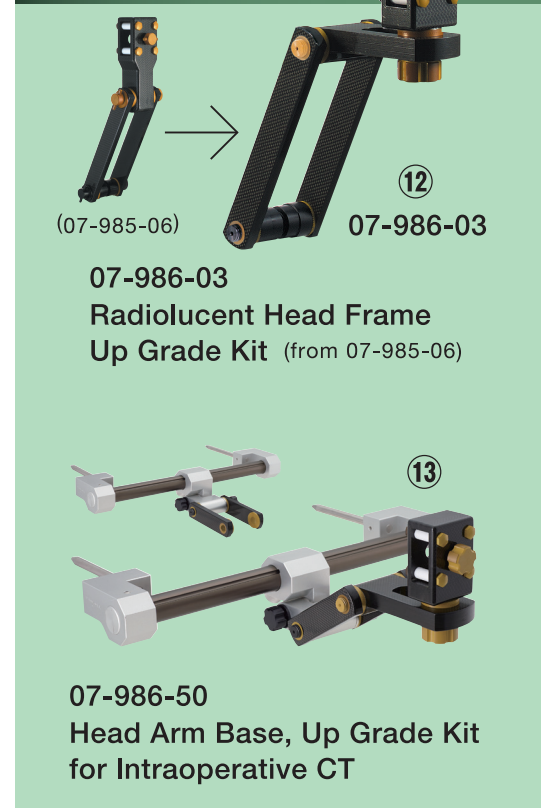


- Common parts with Sugita multi-purpose head frame (Metal)
- Common parts with an old Radiolucent multi-purpose head frame (Carbon)

Mizuho Radiolucent Head Holder Set



Option



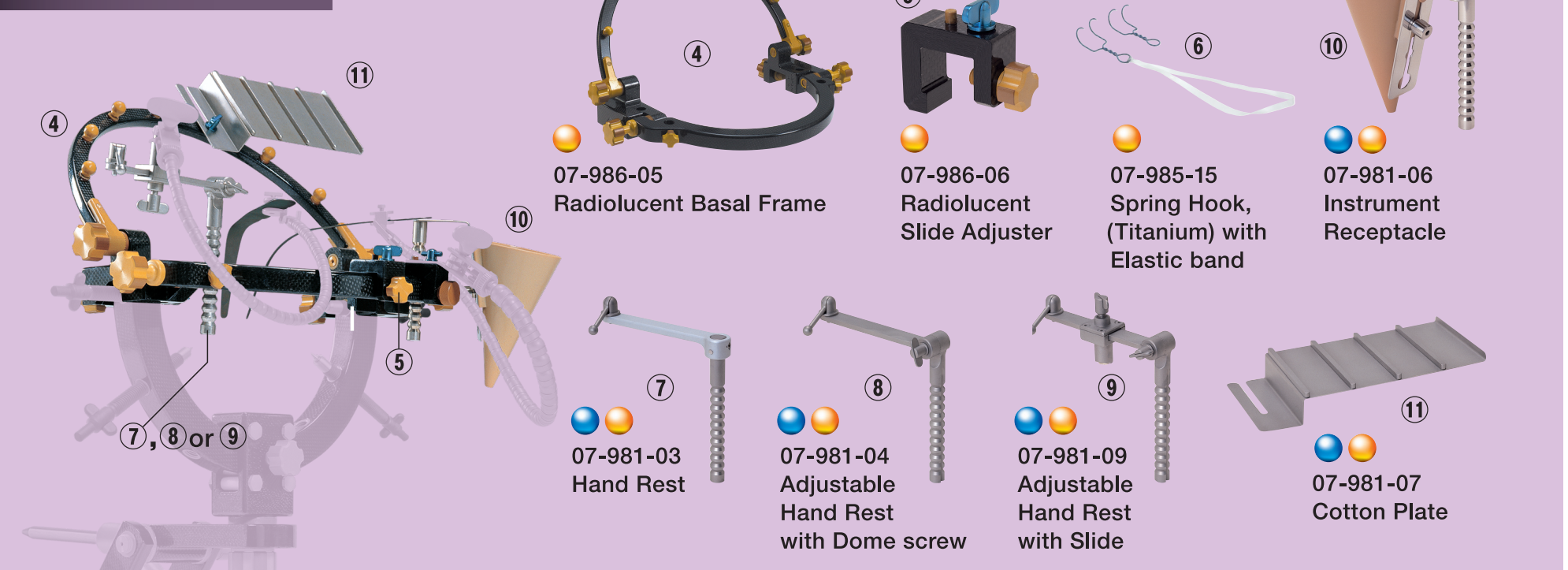
Mizuho Radiolucent Head Frame Complete Set

Mizuho Radiolucent Head Holder Set		
Prod. No.	Product Description	Set
07-986-04	① Radiolucent Rotatable Head Holder	1
07-986-07	② Head Pin, (Radiolucent, Carbon 2)	4
07-952-01	③ Head Arm Base	1
Mizuho Radiolucent Basal Frame Set		
Prod. No.	Product Description	Set
07-986-05	④ Radiolucent Basal Frame	1
07-986-06	⑤ Radiolucent Slide Adjuster	2
07-985-15	⑥ Spring Hook, (Titanium) with Elastic band	6
07-981-03	⑦ Hand Rest	1
07-981-04	⑧ Adjustable Hand Rest with Dome screw	1
07-981-09	⑨ Adjustable Hand Rest with Slide	1
07-981-06	⑩ Instrument Receptacle	1
07-981-07	⑪ Cotton Plate	1

Option

07-986-03	⑫ Radiolucent Head Frame Up Grade Kit	1
07-986-50	⑬ Head Arm Base, Up Grade Kit for Intraoperative CT	1
07-952-07	③ Head Arm Base, Pin dia. 19mm	1
07-952-08	③ Head Arm Base, Pin dia. 16mm	1

Mizuho Radiolucent Basal Frame Set



Radiolucent Head Frame

Caution

Contraindication

1. Do not expose this product to chemicals. It may cause corrosion.
2. Do not use coarse scouring powder or wire wool when cleansing to polish the surface of the product. It may cause a scratch on the surface of the product or create rust or corrosion.
3. Do not use alkaline, acid, or household detergents. Use neutral detergent (pH 6-8) for cleansing. Do not use alkaline or acid detergents at any event. Also, use medical detergents, not household detergents. Improper detergent may cause discoloration or corrosion.
4. Refer Table 1 for sterilization.

Maintenance and inspection

The product is provided non-sterile. Be sure to clean and sterilize each time before use under the international standard or the validated sterilization conditions which validity is proven by a medical organization. Refer table 1 for the cleaning and sterilization applicable to each part of the product.

Washing, Disinfection and Sterilization Method

Prod. No.	Description	Washing		Disinfection		Sterilization		
		Neutral	Alkali	Iodine	Alcohol	Steam	EOG	Plasma
07-986-04	Radiolucent Rotatable Head Holder	○	×	×	○	○	○	×
07-986-07	Head Pin, (Radiolucent, Carbon 2)	○	×	×	○	○	○	×
07-952-01	HEAD ARM BASE	○	×	×	○	○	○	×
07-981-03	Hand Rest	○	×	×	○	○	○	×
07-986-03	Radiolucent Head Frame Up Grade Kit	○	×	×	○	○	○	×
07-986-05	Radiolucent Basal Frame	○	×	×	○	○	○	●
07-986-06	Radiolucent Slide Adjuster	○	×	×	○	○	○	●
07-981-04	Adjustable Hand Rest with Dome screw	○	○	×	○	○	○	○
07-981-09	Adjustable Hand Rest with Slide	○	○	×	○	○	○	○
07-981-07	Cotton Plate	○	○	×	○	○	○	○
07-985-15	Spring Hook, (Titanium) with Elastic Band	○	×	×	○	×	○	×
07-981-06	Instrument Receptacle	○	×	×	○	○	○	○

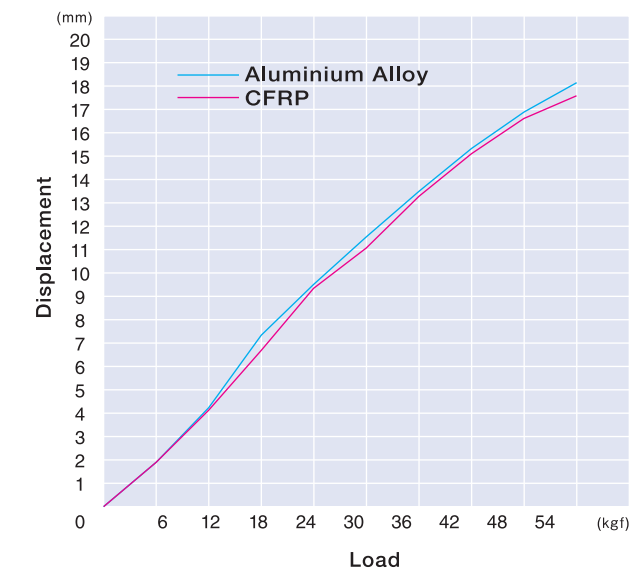
●:Sterilizing with hydrogen peroxide low temperature gas plasma will not affect its property except it may cause discoloration on the surface.

Material

Material Information of CFRP (Carbon Fiber)

- Light-weight** Approx 1/2 weight of Aluminium Alloy made Head Frame
- High Rigidity** Equivalent Rigidity to Aluminium Alloy made Head Frame
- Radiolucency** CFRP has high radiolucency

Carbon Head Frame Load Test



Items (Unit)	Material name	Aluminium Alloy	CFRP
Specific Gravity		2.6	1.5
Water Absorbency (%)		—	0.1
Heatproof Temp (°C)		—	130
Tensile Strength (kgf/mm ²)		29.5	73
Elongation (%)		30	0.5
Tensile Elasticity (kgt/mm ²)		7200	6900

