



# ProFlame™ Integrated Flame Scanner

Model ZPF-120



The ZEECO® ProFlame™ integrated flame scanner revolutionizes the industry by providing reliable flame detection and instant flame status for safer operation. **Easy to configure, simple to set up, the Model ZPF-120 (II 3G EEx nA nC IIC T6) is uniquely designed for use in Zone 2 hazardous areas.**

## Design Features and Benefits

- Compact and exceptionally reliable
- State-of-the-art digital signal processing for easy flame analysis
- Easily configurable frequency and gain settings for simple set-up
- Intuitive display to assist in troubleshooting
- Dual signal channel with electronic self-check for SIL3 applications
- Aiming feature reduces commissioning time when sighting the flame scanner
- Durable housing for a variety of operating environments
- Low power consumption with a 24V dc supply
- Reliable 4-to-20 mA flame intensity output

## Operating Environment

- Temperature: -40°F (-40°C) to 167°F (+75°C)
- Relative humidity: 0% to 99.5% non-condensing
- Environmental protection rating: IP 67, NEMA 4X
- Vibration fatigue limit: 4 g (function tested to 5 g)
- Weight: 1.3 lbs (0.6 kg)
- Housing material: aluminum, painted finish
- Mounting Nipple: 1" NPT M, integral sealing window and noise/heat barrier\*
- Cable: quick disconnect, 8 conductor cable\*

\* Ordered Separately



BURNERS



FLARES

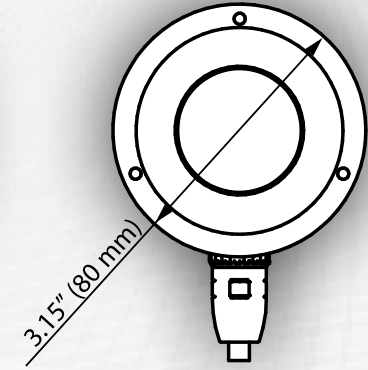
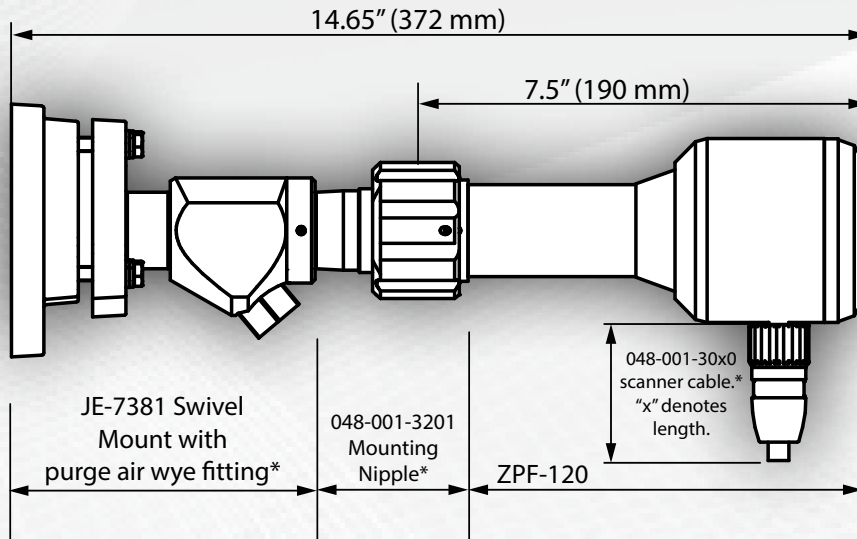


INCINERATORS



PARTS & SERVICE

# Model ZPF-120



\* Ordered Separately

## Operating Parameters - Input

### Input voltage

Supply voltage: 24V dc  $\pm$  20%, protection class III

Power consumption: 4 W

### Purge air

Cool, dry, clean air: 5 scfm (142 l/min) at 5" wc (12.5 mbar) above windbox or furnace pressure (sight tube exit point),  $\leq$  100°F (38°C) at wye fitting

## Operating Parameters - Output

Output relay: SPDT, Flame-On is the N.O. contact and Flame-Off is the N.C. contact

Contact rating: 48V dc at 0.5 A; 120Vac at 0.125A

Flame intensity output: 4 to 20 mA referenced to 24V dc common; 220 $\Omega$  at 6.6V ( $\pm$ 2%)

Flame status indication: Flame-On LED, Flame-Off LED, Flame intensity bar graph

ZEECO® combustion and environmental solutions are designed and manufactured to comply with applicable local and international standards as defined by our customers.



REGISTERED ISO 9001: 2008

CERTIFICATION APPLIES TO ZEECO HEADQUARTERS ONLY.

### Zeeco Global Headquarters

22151 East 91st Street

Broken Arrow, Oklahoma 74014 USA

Phone: +1 918 258 8551

Fax: +1 918 251 5519

E-mail: sales@zeeco.com

[Zeeco.com](http://Zeeco.com)

ZEECO® is a registered trademark of Zeeco, Inc. in the U.S.

• ZEECO office, affiliate, sales, representative, or third party representative/licensee offices.

© COPYRIGHT 2018 - ZEECO, INC. ALL RIGHTS RESERVED

