



MIN-EMISSIONS ROUND FLAME GAS BURNER

GLSF Series



GLSF Min-Emissions Round Flame Gas Burners

DESCRIPTION

The ZEECO® GLSF Min-Emissions Burner is an ultra-low emissions round flame burner. Our design allows for a compact flame shape, making it a great choice for retrofit applications that require burners closely mounted together or far apart while still achieving ultra-low NOx emissions levels.

WHY CHOOSE ZEECO?

Zeeco leads today's global market in the design of combustion equipment. Our engineers have the experience, knowledge, and tools to properly design your burner equipment. Zeeco's burners have been operating around the globe for more than 35 years. Our philosophy is to provide customers with superior quality, on-time shipments and competitive pricing, which is the cornerstone of our success. Let us put our experience to work for you. Call or email us today to learn more about the full line of ZEECO® burner products and replacement components for your new or existing burner system.



BURNERS



FLARES



INCINERATORS

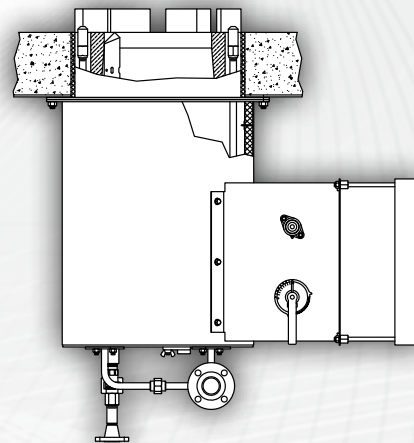


PARTS & SERVICE

Min-Emissions Round Flame Gas Burner

DESIGN FEATURES

- Stable flame over a wide range of conditions
- High turndown of 5:1 or greater for most cases
- No stabilization metal used in the burner throat
- Low maintenance cost since tip mass is small and exposed into firebox less than 1" (25mm)
- Compact design makes this burner a great choice for retrofit applications
- Compact flame shape
- Great heat flux profile
- Reasonable cost and great value
- Combustion air dampers are controlled by gears for precise control
- Bearings are used for the combustion air damper shafts for smooth, precise operation
- Plenum mounted or individual wind-box configurations
- 310 Stainless Steel (Type HK) gas tips



GLSF Min-Emissions Burner

DESIGN INFORMATION

Burner Model: GLSF Min-Emissions Burner
 Fuels: Gas Only
 Description: Round Flame Ultra-Low Emissions
 NO_x Reduction Method: Internal Flue Gas Recirculation by Free-Jet Mixing
 Predicted NO_x Emissions Range (Natural Draft): 30 to 45 ppmv
 Predicted NO_x Emissions Range (600°F (316°C) Air Preheat): 50 to 80 ppmv
 Combustion Air Induction: Natural, Forced, Induced & Balanced Draft
 Mounting Options: Up-fired and Side-fired
 Natural Draft Heat Release Range: 1 to 20 MMBtu/hr [0.293 to 5.860 MW]
 Forced Draft Heat Release Range: 1 to 50 MMBtu/hr [0.293 to 14.650 MW]
 Turndown: 5:1
 Typical Excess Air Range: 10 to 25%

ZEECO® combustion and environmental solutions are designed and manufactured to comply with applicable local and international standards as defined by our customers.



CERTIFICATION APPLIES TO ZEECO HEADQUARTERS ONLY.

Zeeco Corporate Headquarters

22151 East 91st Street

Broken Arrow, Oklahoma 74014 USA

Phone: +1 918 258 8551

Fax: +1 918 251 5519

Email: sales@zeeco.com

Zeeco.com

ZEECO® is a registered trademark of Zeeco, Inc. in the U.S.

• ZEECO office, affiliate, sales, representative, or third party representative/licensee offices.

© COPYRIGHT 2017 - ZEECO, INC. ALL RIGHTS RESERVED

