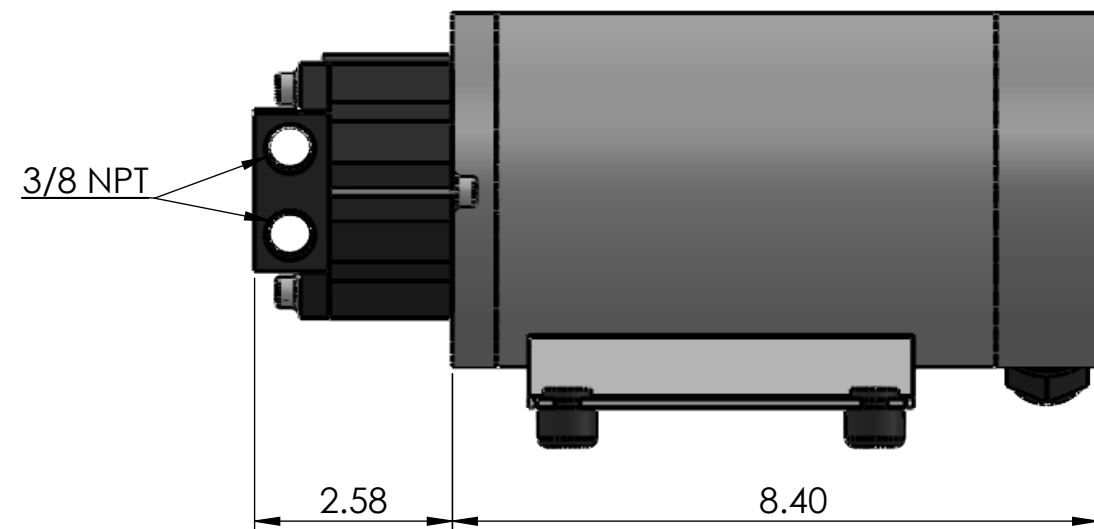
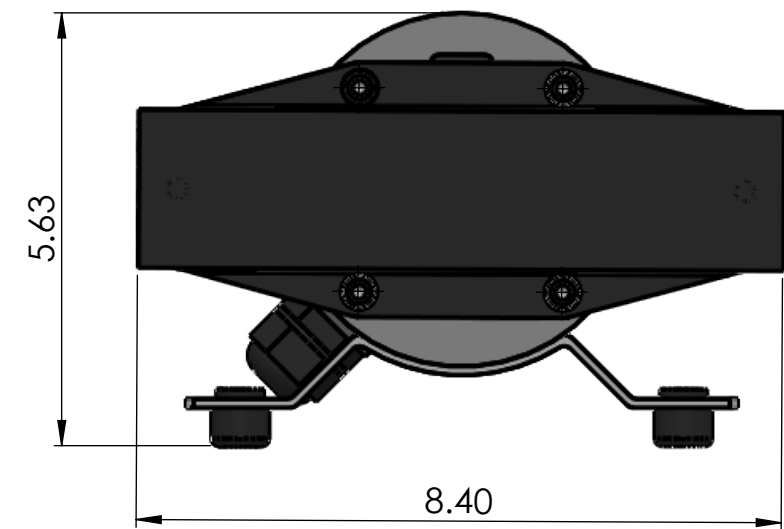
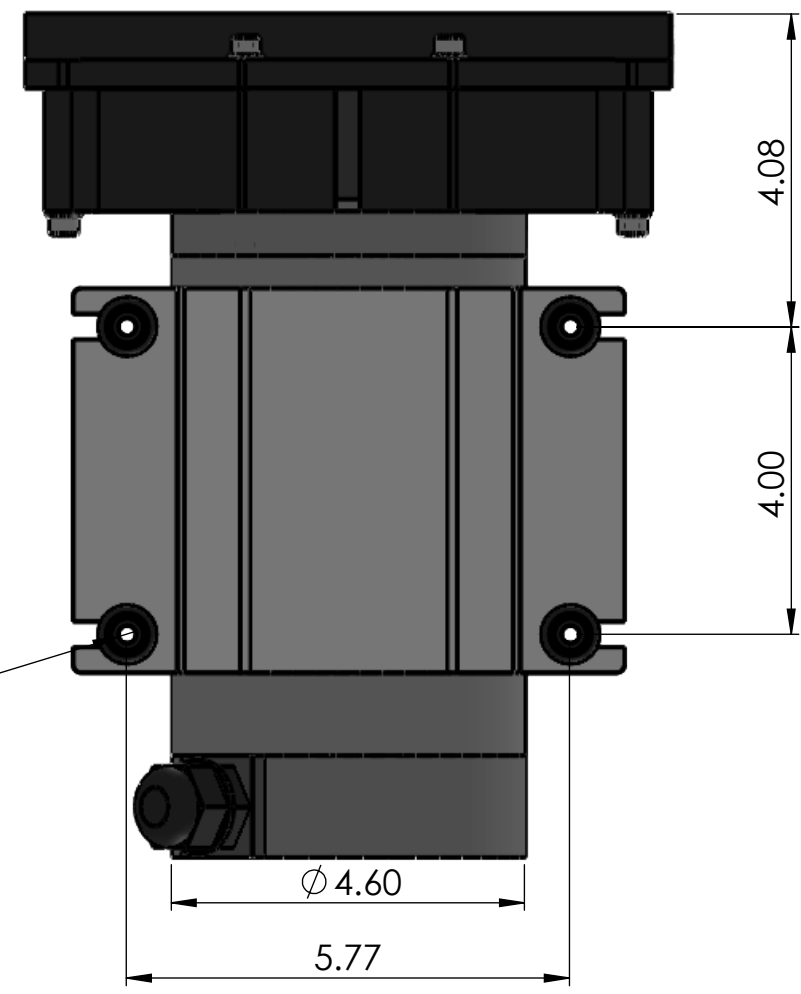


8 7 6 5 4 3 2 1

D
C
B
A



D
C
B
A



Ø 0.23 TYP.

A

8 7 6 5 4 3 2 1

UNLESS OTHERWISE SPECIFIED:
 DIMENSIONS ARE IN INCHES
 TOLERANCES:
 ANGULAR ± 1°
 .XX ± .010
 .XXX ± .005
 CONCENTRIC .003
 125/

	NAME	DATE
DRAWN		
CHECKED		
ENG APPR.		
MFG APPR.		



TITLE:		
SIZE B	DWG. NO. 350U/M950	REV 01
SCALE: 1:2.5		SHEET 1 OF 1

PROPRIETARY AND CONFIDENTIAL
 THE INFORMATION CONTAINED IN THIS DRAWING IS THE SOLE PROPERTY OF PUMPTEC, INC. ANY REPRODUCTION IN PART OR AS A WHOLE WITHOUT THE WRITTEN PERMISSION OF PUMPTEC, INC. IS PROHIBITED.