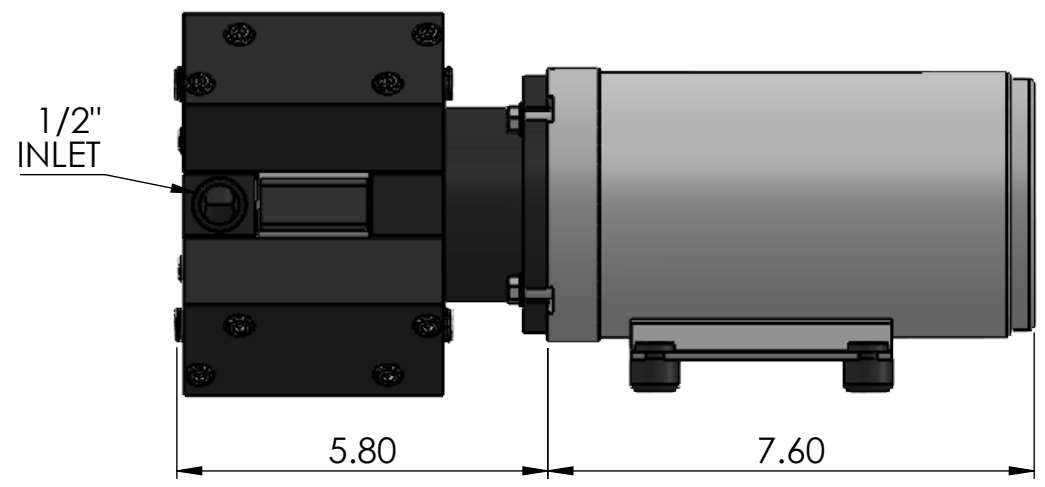
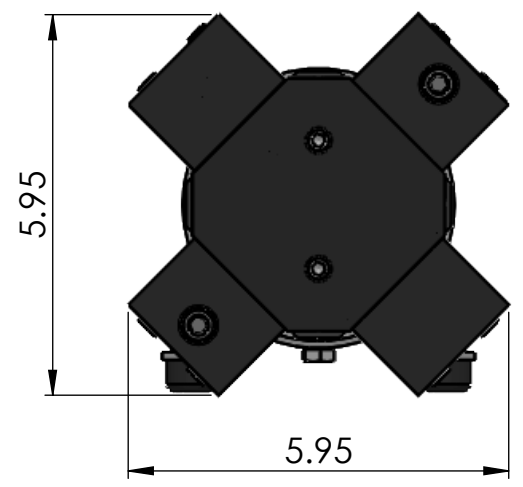
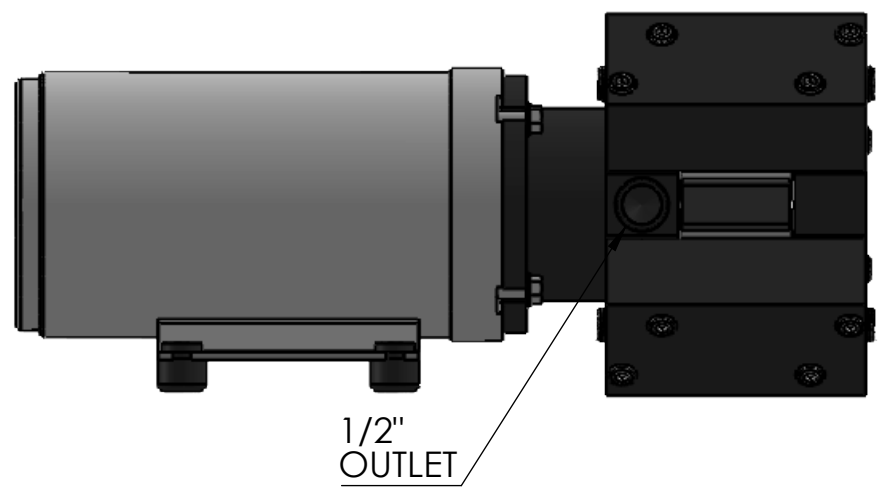
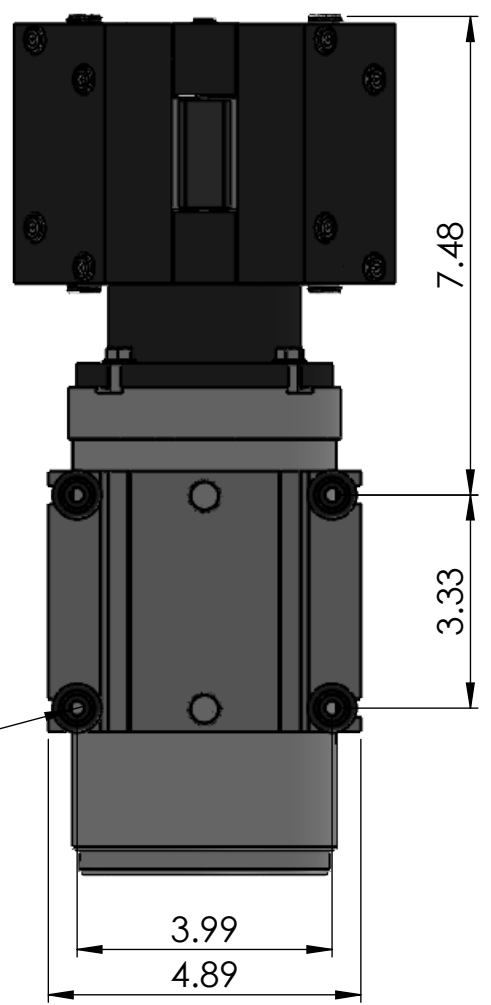



8 7 6 5 4 3 2 1

D  
C  
B  
A



D  
C  
B  
A



UNLESS OTHERWISE SPECIFIED: DIMENSIONS ARE IN INCHES TOLERANCES: ANGULAR ± 1° .XX ± .010 .XXX ± .005 CONCENTRIC .003 125/		NAME	DATE			
	DRAWN				TITLE:	
	CHECKED					
	ENG APPR.					
	<b>PROPRIETARY AND CONFIDENTIAL</b> THE INFORMATION CONTAINED IN THIS DRAWING IS THE SOLE PROPERTY OF PUMPTEC, INC. ANY REPRODUCTION IN PART OR AS A WHOLE WITHOUT THE WRITTEN PERMISSION OF PUMPTEC, INC. IS PROHIBITED.			SIZE <b>B</b>	DWG. NO. <b>X-SERIES-M8230</b>	REV <b>01</b>
	SCALE: 1:3		SHEET 1 OF 1			

8 7 6 5 4 3 2 1