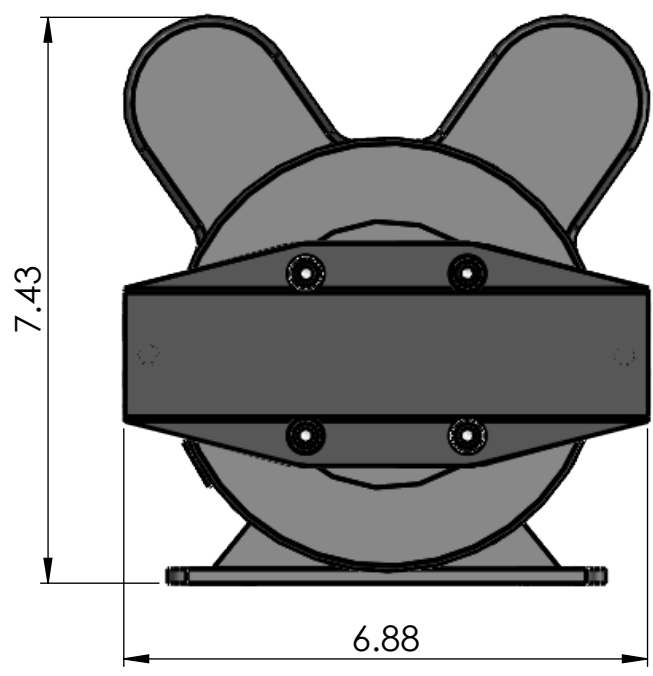
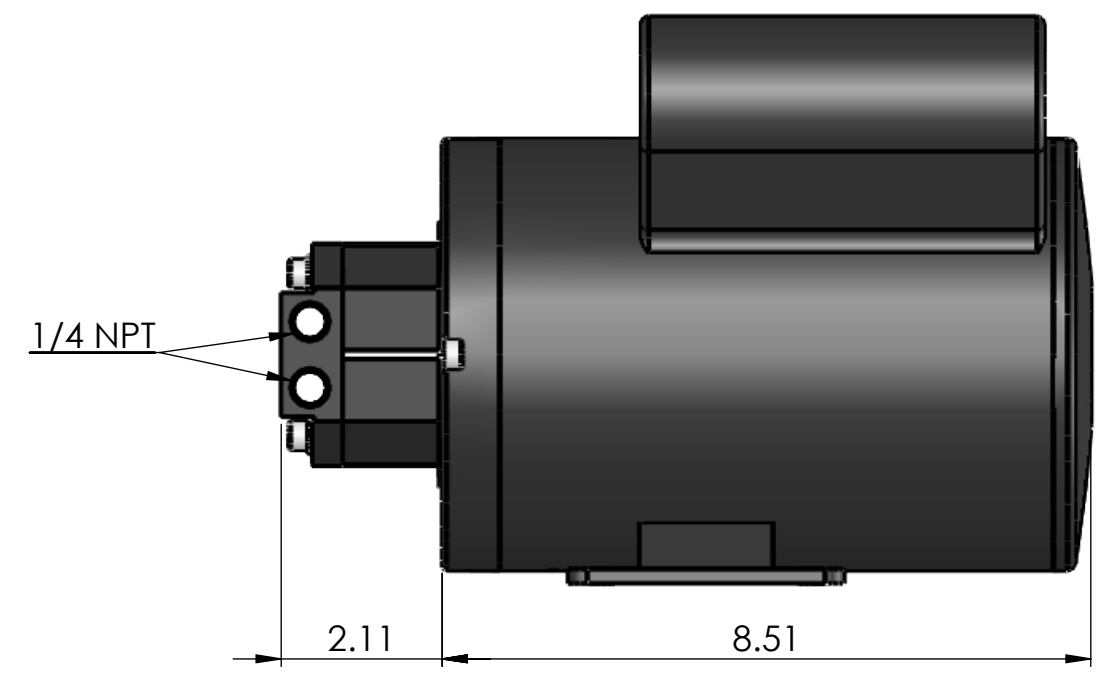


8 7 6 5 4 3 2 1

D



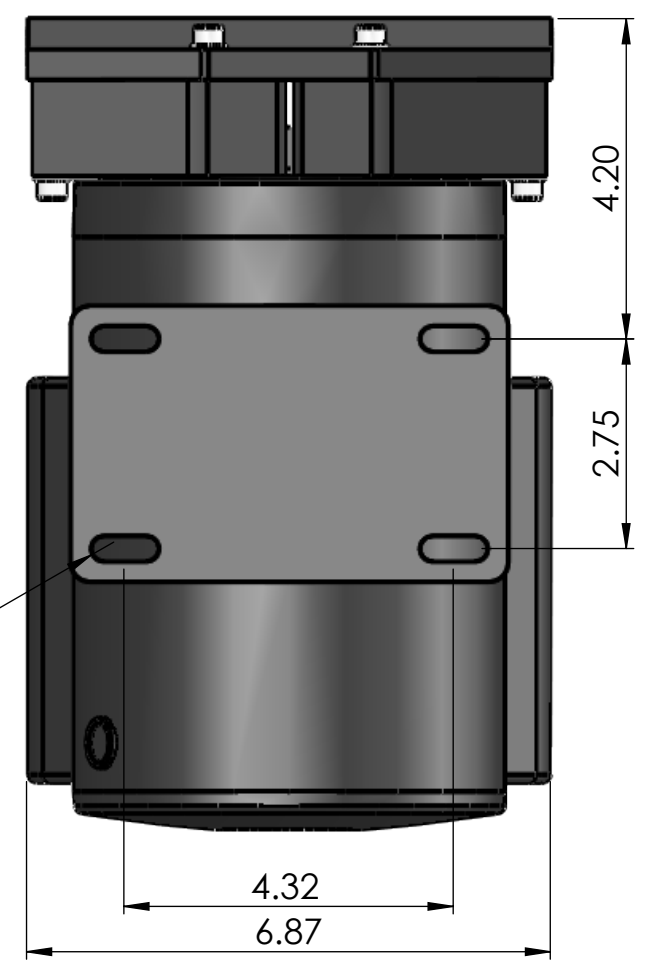
C



D

C

B



B

A

Ø0.34 TYP.

8 7 6 5 4 3 2 1

UNLESS OTHERWISE SPECIFIED: DIMENSIONS ARE IN INCHES TOLERANCES: ANGULAR ± 1° .XX ± .010 .XXX ± .005 CONCENTRIC .003 125/√		NAME	DATE			
	DRAWN				TITLE:	
	CHECKED					
	ENG APPR.					
	<b>PROPRIETARY AND CONFIDENTIAL</b> THE INFORMATION CONTAINED IN THIS DRAWING IS THE SOLE PROPERTY OF PUMPTEC, INC. ANY REPRODUCTION IN PART OR AS A WHOLE WITHOUT THE WRITTEN PERMISSION OF PUMPTEC, INC. IS PROHIBITED.			SIZE <b>B</b>	DWG. NO. <b>217V-M58</b>	REV <b>01</b>
				SCALE: 1:2.52	SHEET 1 OF 1	

A