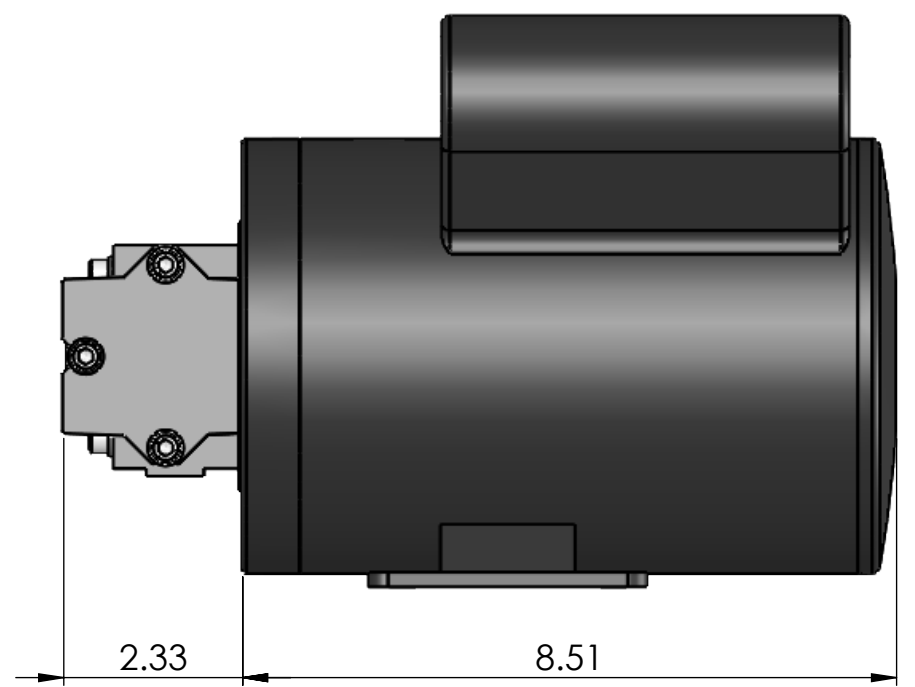
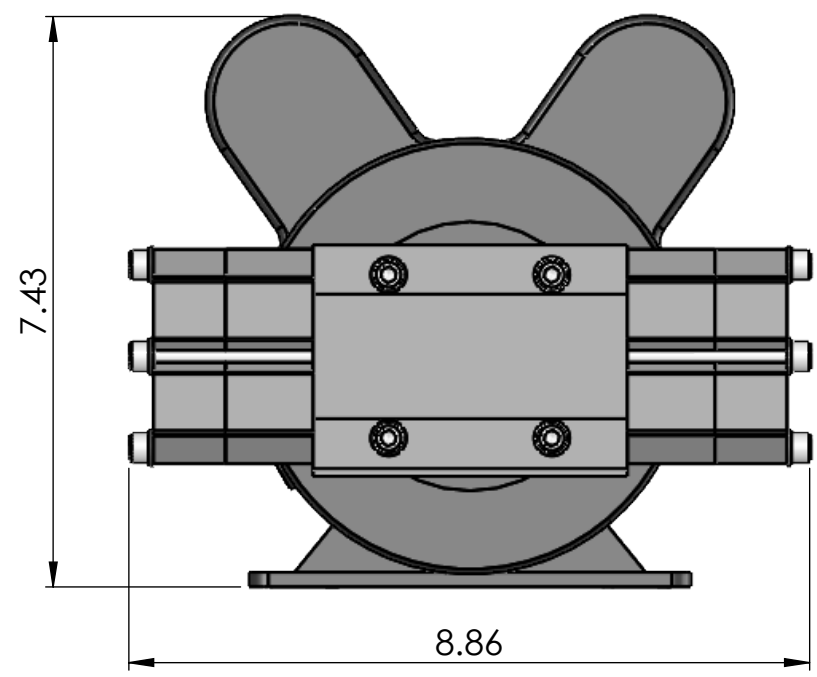
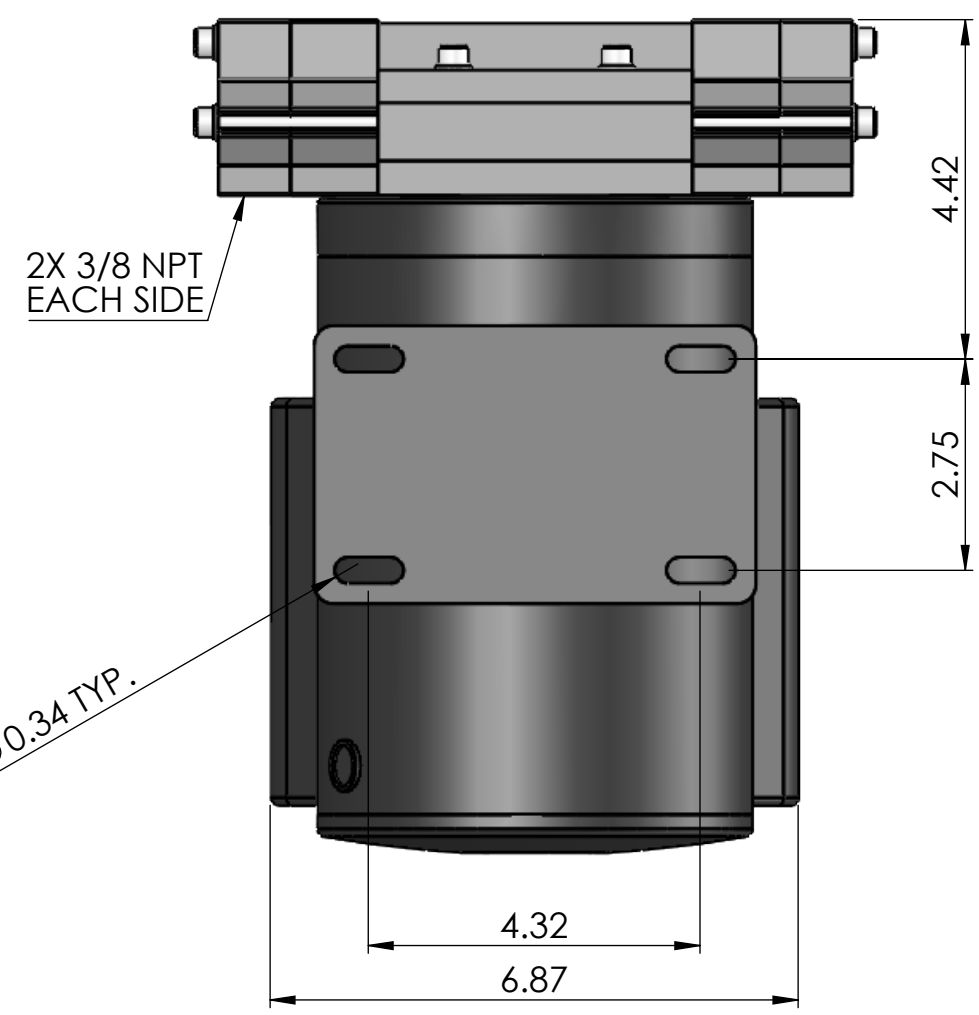


8 7 6 5 4 3 2 1

D
C
B
A



D
C
B
A



Ø0.34 TYP.

2X 3/8 NPT
EACH SIDE

UNLESS OTHERWISE SPECIFIED: DIMENSIONS ARE IN INCHES TOLERANCES: ANGULAR ± 1° .XX ± .010 .XXX ± .005 CONCENTRIC .003 125/	NAME	DATE			
	DRAWN			TITLE:	
	CHECKED				
	ENG APPR.				
	MFG APPR.				
	PROPRIETARY AND CONFIDENTIAL THE INFORMATION CONTAINED IN THIS DRAWING IS THE SOLE PROPERTY OF PUMPTEC, INC. ANY REPRODUCTION IN PART OR AS A WHOLE WITHOUT THE WRITTEN PERMISSION OF PUMPTEC, INC. IS PROHIBITED.		SIZE B	DWG. NO. 207V-M58	REV 01
	SCALE: 1:2.5		SHEET 1 OF 1		

8 7 6 5 4 3 2 1