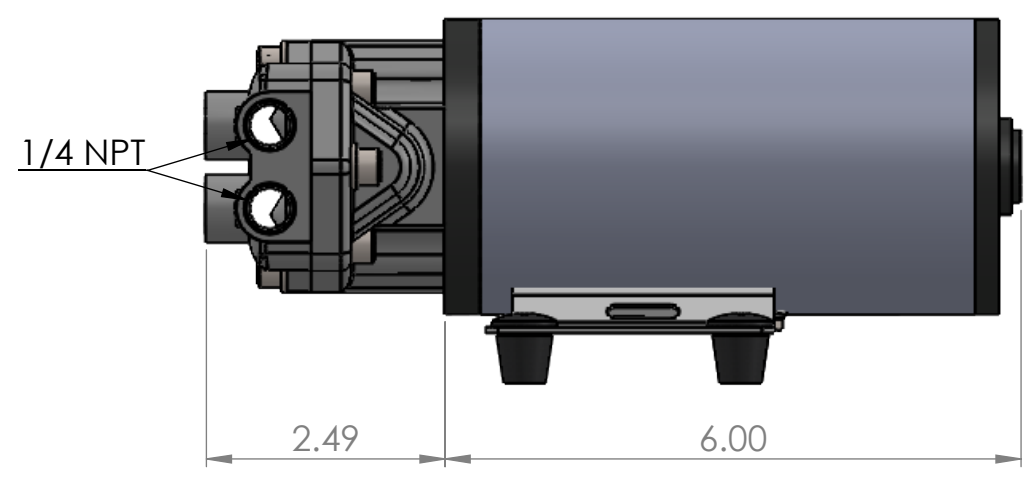
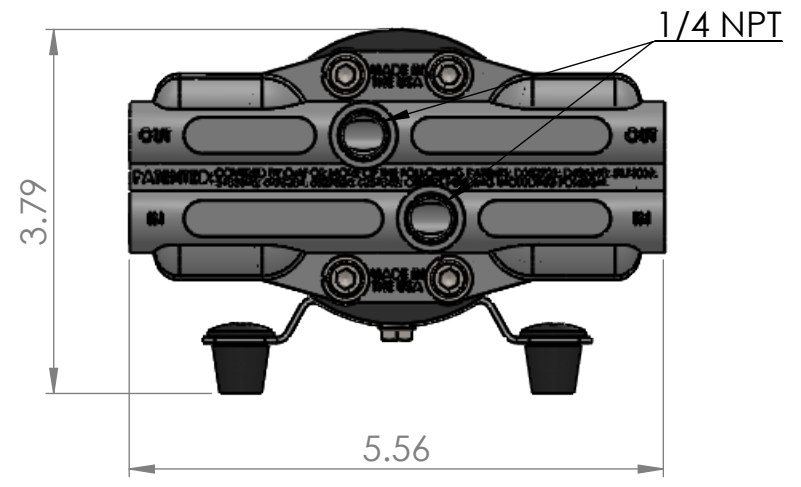


8 7 6 5 4 3 2 1

D

D

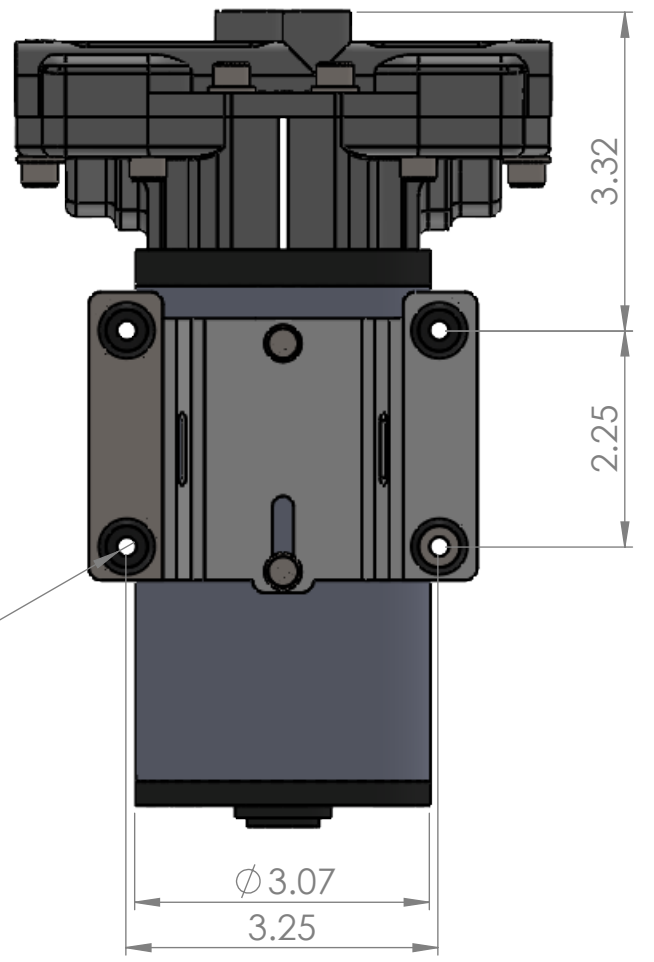


C

C

B

B



UNLESS OTHERWISE SPECIFIED:  
 DIMENSIONS ARE IN INCHES  
 TOLERANCES:  
 ANGULAR  $\pm 1^\circ$   
 .XX  $\pm .010$   
 .XXX  $\pm .005$   
 CONCENTRIC .003  
 125/

	NAME	DATE
DRAWN		
CHECKED		
ENG APPR.		
MFG APPR.		



TITLE:		
SIZE	DWG. NO.	REV
<b>B</b>	<b>116C/M70</b>	<b>01</b>
SCALE: 1:2		SHEET 1 OF 1

8 7 6 5 4 3 2 1

A

A