

1/4" MALE NPT

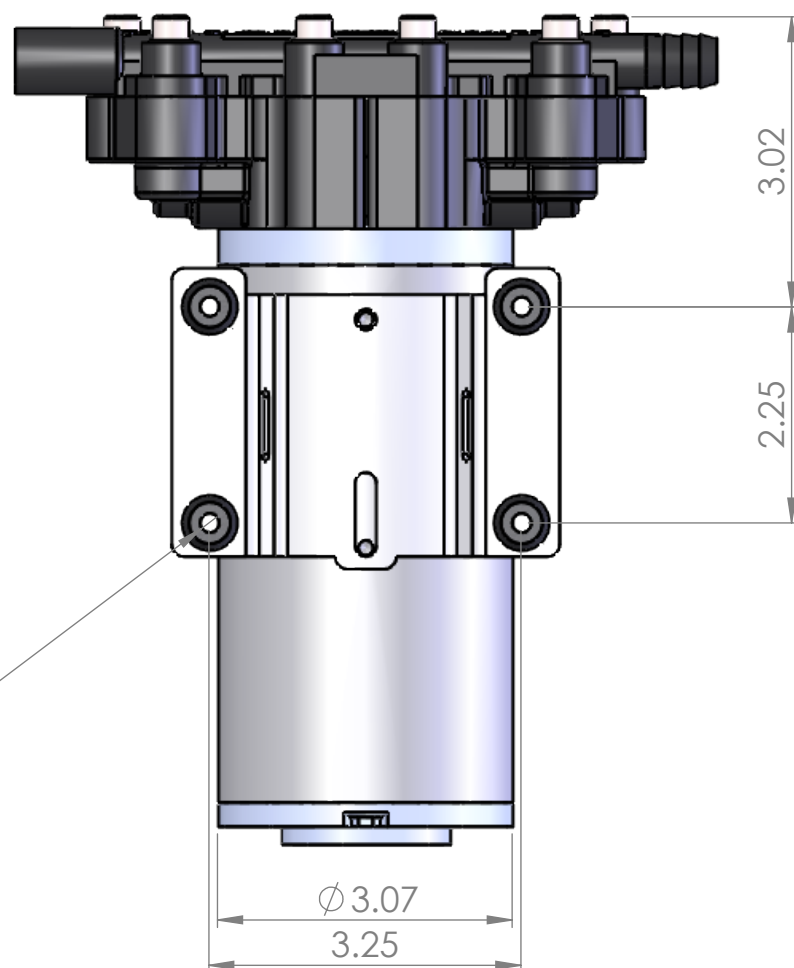
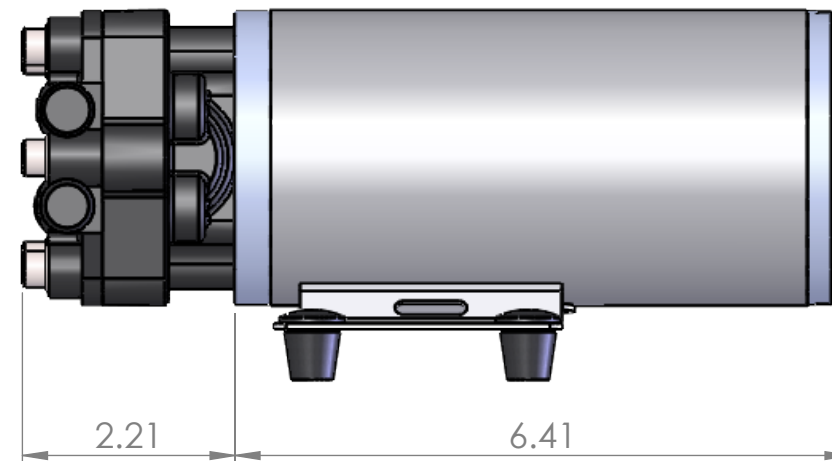
1/4" MALE NPT

3/8" MALE NPT

1/2" BARB

3.84

7.31



UNLESS OTHERWISE SPECIFIED:  
 DIMENSIONS ARE IN INCHES  
 TOLERANCES:  
 ANGULAR  $\pm 1^\circ$   
 .XX  $\pm .010$   
 .XXX  $\pm .005$   
 CONCENTRIC .003  
 125/

	NAME	DATE
DRAWN		
CHECKED		
ENG APPR.		
MFG APPR.		



TITLE:		
SIZE <b>B</b>	DWG. NO. <b>114T-4H</b>	REV <b>01</b>
SCALE: 1:2		SHEET 1 OF 1

**PROPRIETARY AND CONFIDENTIAL**  
 THE INFORMATION CONTAINED IN THIS DRAWING IS THE SOLE PROPERTY OF PUMPTEC, INC. ANY REPRODUCTION IN PART OR AS A WHOLE WITHOUT THE WRITTEN PERMISSION OF PUMPTEC, INC. IS PROHIBITED.