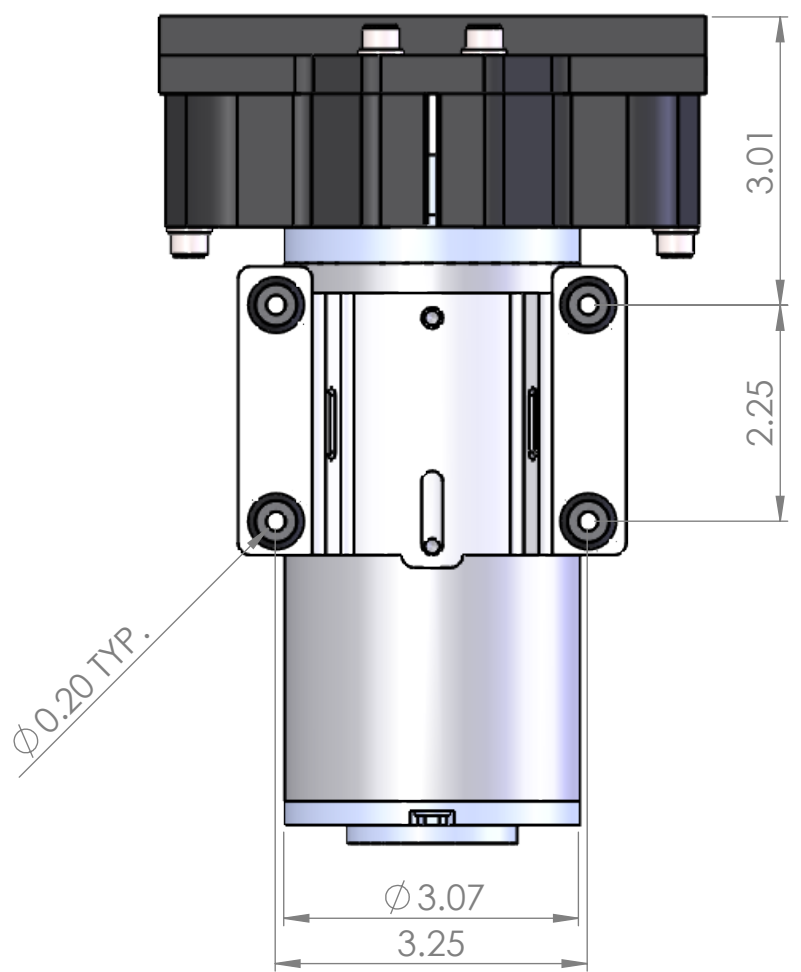
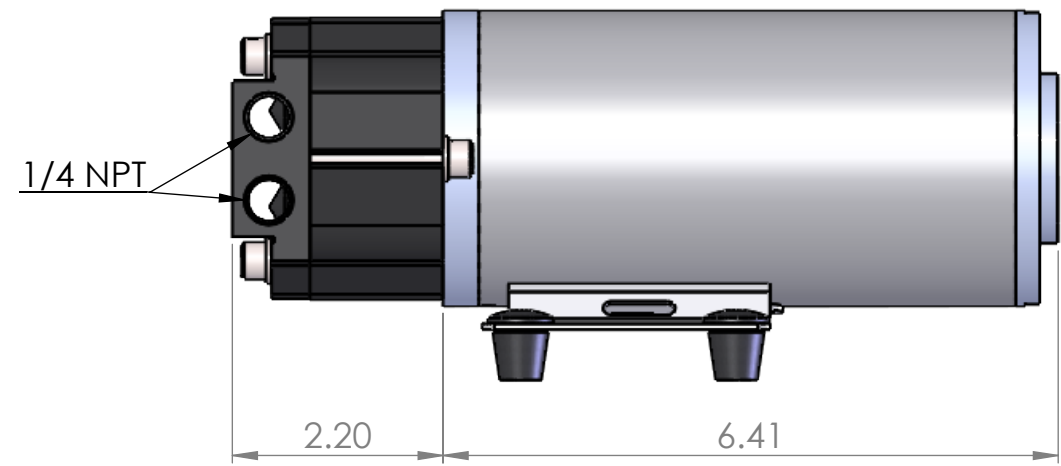
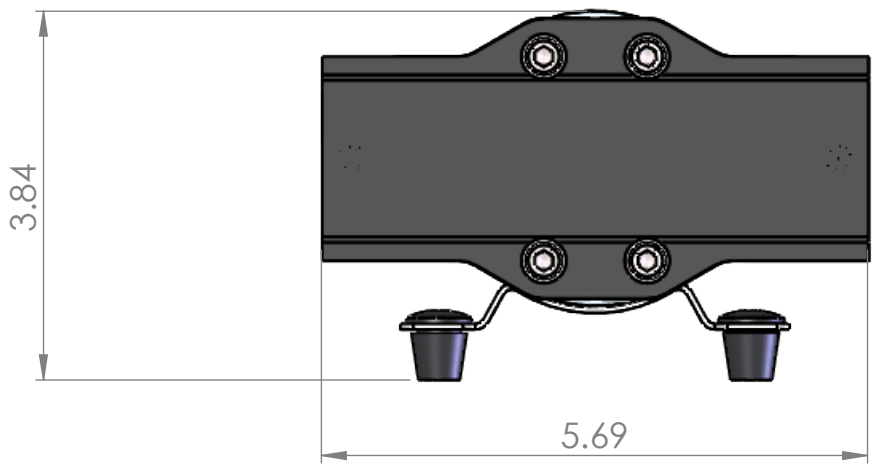


8 7 6 5 4 3 2 1

D
C
B
A



UNLESS OTHERWISE SPECIFIED:
 DIMENSIONS ARE IN INCHES
 TOLERANCES:
 ANGULAR $\pm 1^\circ$
 .XX $\pm .010$
 .XXX $\pm .005$
 CONCENTRIC .003
 125/

	NAME	DATE
DRAWN		
CHECKED		
ENG APPR.		
MFG APPR.		



TITLE:		
SIZE B	DWG. NO. 100SERIES	REV 01
SCALE: 1:2		SHEET 1 OF 1

PROPRIETARY AND CONFIDENTIAL
 THE INFORMATION CONTAINED IN THIS DRAWING IS THE SOLE PROPERTY OF PUMPTEC, INC. ANY REPRODUCTION IN PART OR AS A WHOLE WITHOUT THE WRITTEN PERMISSION OF PUMPTEC, INC. IS PROHIBITED.

8 7 6 5 4 3 2 1