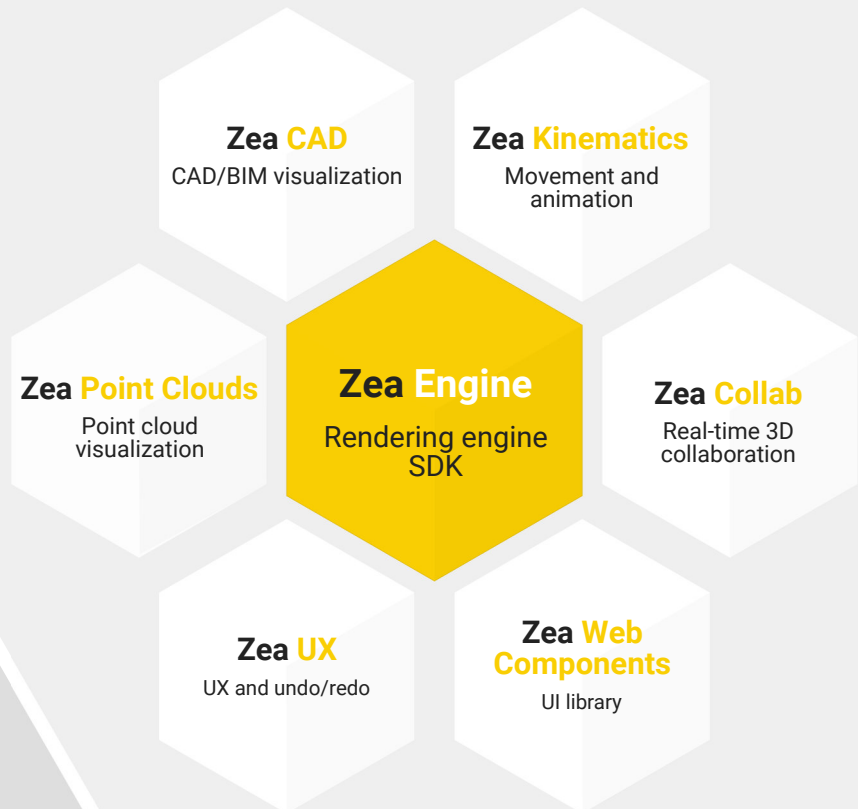


ZEA™ Engine

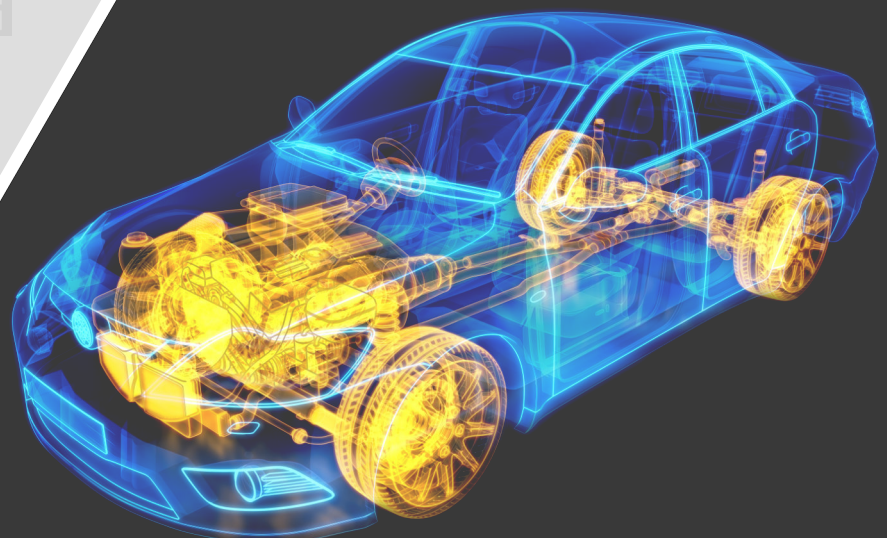
Geometry
in Motion

Software publishers of all sizes—from startups to large enterprises—use Zea's SDKs to build powerful 3D web applications



Zea Engine is built for the web and grows to suit your needs with plugins

Add interactive 3D models to your website or web app.



Metrology



Simulations



Manufacturing



Construction

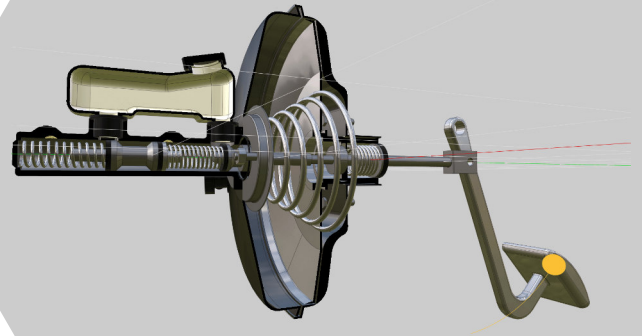
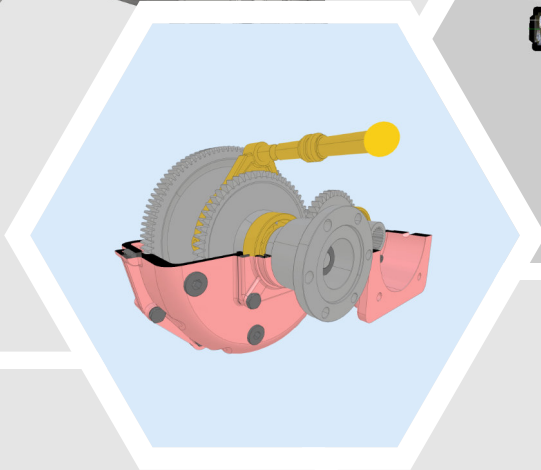
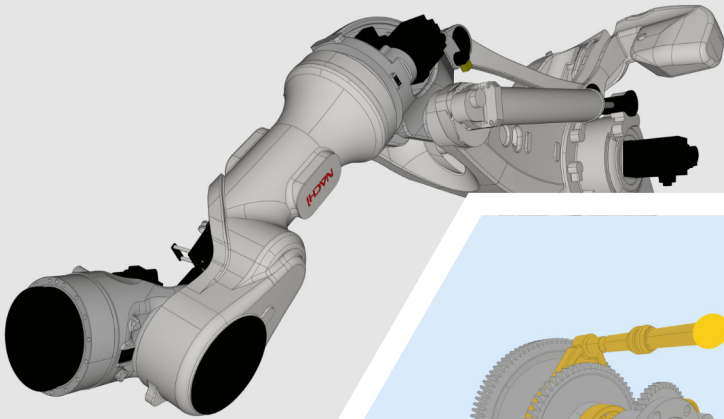
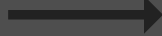


AR and VR



GIS





Features

- Unrivaled support for animation, movement, and kinematics
- A powerful, highly-optimized WebGL renderer designed for the web
- Core functionality extendable through plugins
- Open-source UX and UI libraries
- Build applications with JavaScript, AngularJS, React, and more.
- Easy-to-use documentation and a dedicated services team

How to Get Started

For Services

- Custom application development
- Fully integrate and manage the 3D engine for your application
- Build a Proof-of-Concept

[GET IN TOUCH](#)

For Developers

- Open-source sample projects
- Documentation
- Paid evaluation with 20 hours of training

[SHOWCASE PROJECTS](#)

🔍 www.zea.live ✉️ info@zea.live

Zea is a Trademark of Zea Inc.
Copyright 2020, all rights reserved.