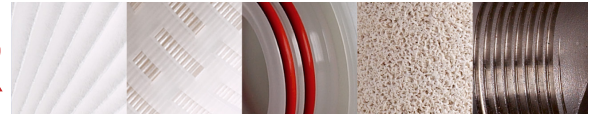


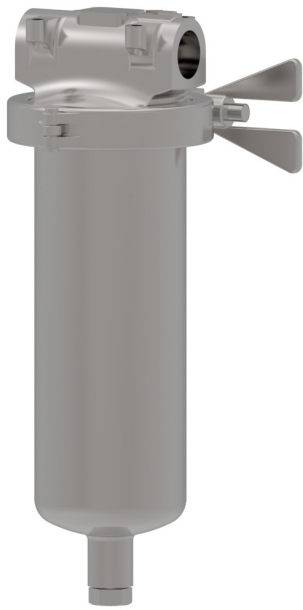
51A SERIES JUNIOR

Junior Filter Housing



51A Series junior cartridge housings are renowned for their high quality design and manufacture. They are suitable for a wide range of standard Single Open End junior cartridges containing either pleated depth media or membranes.

Therefore these housings can be used in a wide variety of final and pre-filter applications where liquids or gases need processing.



Product Features

- Quick release Vee Clamp Closure for easy opening
- Lightweight, high specification investment cast head
- Available in 316L stainless steel or Alloy 22 for maximum compatibility
- Rated to 20 bar g liquid, 20 bar g gas and full vacuum
- Can be used in temperatures from -10°C up to 150°C
- PED Compliant to Sound Engineering Practice
- Full traceability on all parts, material certification packs available

Applications

- Small to medium sized batch processes
- Product development and pilot plant applications
- Vessel vents
- Compressed air and gas lines
- General low to medium flow rates applications

Features and Benefits

- Investment Cast head (avoids the porosity & inclusion problems associated with lower quality sand castings)
- Every housing is etched with a serial number for full traceability
- Standard Junior and True Seal cartridge fitting options
- 316L Stainless Steel construction as standard

Product Range

Amazon Filters design and manufacture an extensive range of liquid filtration systems, providing one of the widest selections of filtration vessels, depth filters and pleated cartridges available today, ensuring excellent process and filter compatibility. As one of Europe's leading manufacturers of filtration systems, Amazon Filters is able to offer a solution to meet all filtration requirements. Amazon's filters are manufactured in clean room conditions and all products come with detailed Product Validation Guides and Technical Support documentation.



AMAZON

51A Series Junior Technical Data

Maximum Operating Conditions

Pressure Range: Liquid: FV / 20 bar g
 Gas: FV / 20 bar g
 Temperature Range: -10°C / 150°C

Materials of Construction

Body and Closure: 316L St.Steel
 Clamp: 304 St.Steel
 Seal: Ethylene Propylene

Finish

Vessel: Externally polished sump, bead blast head

Connections

Inlet/Outlet: ½" BSPF
 Drain: ¼" BSPF with Plug

Model	Dimensions					Volume (Litres)	Dry Weight (kg)
	A	B	C	D	E		
51A10JVN05B1CE	203	-	-	76	135	0.43	1.3

PED Status:

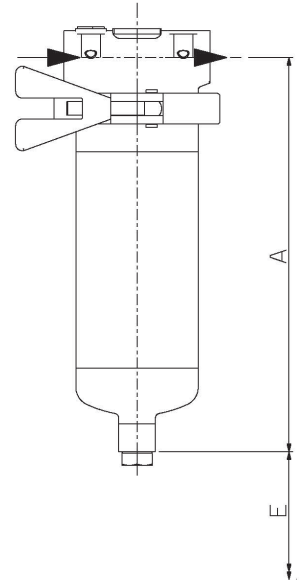
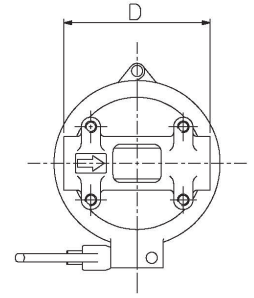
Compliant with 2014/68/EU
 Fluid Groups: Gas Group 1 + 2
 Liquids Group 1 + 2
 Exceptions: Group 1 Fluids - Explosive

ATEX:

Compliant with 2014/34/EU, level CE Ex II 2 GD c X

Technical drawings for each individual housing showing dimensions, volume, weights, maximum temperatures and design pressures available on request.

Marking: CE



AMAZON FILTERS LTD.

Albany Park Estate, Camberley, Surrey, GU16 7PG, ENGLAND

Tel: +44 (0) 1276 670 600 Email: sales@amazonfilters.co.uk Web: www.amazonfilters.com