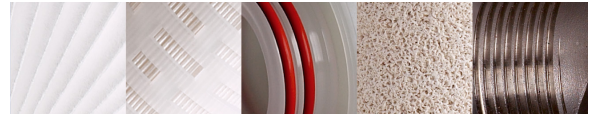


81A SERIES

4 1/4" MINI Bag Filter Housing



The **81A Series MINI** bag housing is available in both single and double length formats. The vessel is equipped with a swing bolted opening closure as standard and is suitable for pressures up to 21 bar g.

The side inlet and bottom outlet configuration is perfectly suited to duties where product changes demand a simple-to-clean, easy access housing. With only the basket to remove, quick and efficient cleaning is possible with the **81A Series MINI** housing. The simple construction also makes it an ideal replacement for conventional cast strainers.

The **81A Series MINI** housing will accept the full range of Amazon and industry standard filter bags ranging from 1 to 1000µm with nominal lengths of 8" (P3) and 14" (P4).

Product Features

- Swing bolt closure for ease of access, rated at 21 bar g
- Internally and externally bead blasted as standard
- Robust bag support basket assembly fabricated from perforated sheet, for extra strength
- Wide range of options available for connection sizes and types
- 316L stainless steel as standard
- PED and ATEX compliant
- Each housing is etched with a unique serial number for full traceability

Accessories	Part Number
Single Displacement Pod	81S011000
Double Displacement Pod	81S012000



Features and Benefits

- Quick access closure
- Excellent fluid compatibility
- Retained lid with easy vent feature
- Full housing customisation service
- High pressure capability as standard

Product Range

Amazon Filters design and manufacture an extensive range of liquid filtration systems, providing one of the widest selections of filtration vessels, depth filters and pleated cartridges available today, ensuring excellent process and filter compatibility. As one of Europe's leading manufacturers of filtration systems, Amazon Filters is able to offer a solution to meet all filtration requirements. Amazon's filters are manufactured in clean room conditions and all products come with detailed Product Validation Guides and Technical Support Documentation.

AMAZON

81A Series Technical Data

Maximum Operating Conditions

Pressure Range:	Single	Double
Liquid:	FV/21 bar g	FV/21 bar g
Gas Group 1:	FV/20 bar g	FV/12 bar g
Gas Group 2:	FV/21 bar g	FV/21 bar g

Temperature Range: -10°C / 150°C

Materials of Construction

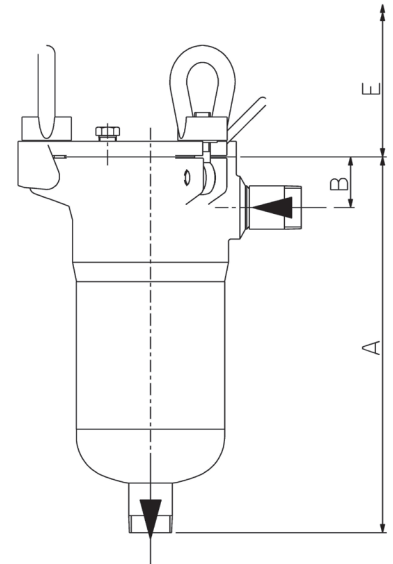
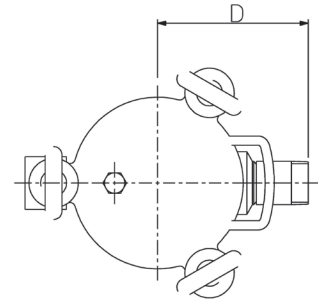
Body:	316L St. Steel
Closure:	Swing Bolt - 304 St. Steel

Finish

Vessel:	Bead Blast
Basket:	Bead Blast

Connections

Inlet / Outlet:	1" and 1½" BSPM
Vent:	¼" BSPF



Model	Dimensions					Volume (Litres)	Dry Weight (kg)
	A	B	C	D	E		
81A11MWN10A1BE	289	39	-	116	200	2.5	7
81A12MWN15A1BE	449	39	-	116	350	3.9	8

PED Status:

Compliant with 2014/68/EU
Fluid Groups: Liquids Groups 1+2
Marking: Cat 1

ATEX:

Compliant with 2014/34/EU, level CE Ex II 2 GD c X

Technical drawings for individual housing showing dimensions, volume, weights, maximum temperatures and design pressures are available on request.

Ordering Guide

81	1	M	W	N	10	A	1	B	E
No of Bags	Bag Length	Bag Collar Style / Size	Closure Style	Mounting	Connection	Connection Type	Materials	Finish	Seal
A1 - 1 Bag 2 - Double	1 - Single 2 - Double	M - MINI 4¼" N - No Basket H - Ferrostik ¹¹ (magnetic insert)	W - Flat Cover with St. Steel swing bolts	E - Bracket N - None	10 - 1" 15 - 1½"	A - BSPM E - EN1092-1 Flange PN25 J - ASME Flange 300#	1 - 316 St. Steel (L Grade)	B - Bead Blast	E - EPDM F - FEP / Silicone S - Silicone V - Viton

Example: 81A11MWN10A1BE = 81A Series, Single Length Bag, MINI 4½" Bag collar, no mounting, 1" BSPM connections. 316L St. Steel with Bead Blast finish and EPDM seals.
¹¹Double length only.

AMAZON FILTERS LTD.

Albany Park Estate, Camberley, Surrey, GU16 7PG, ENGLAND

Tel: +44 (0) 1276 670 600 Email: sales@amazonfilters.co.uk Web: www.amazonfilters.com