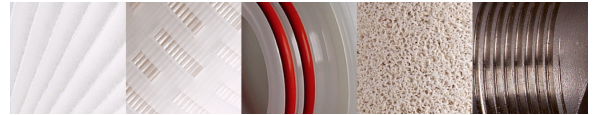


# 81 SERIES

## 4 1/4" Mini Bag Filter Housing



The **81 Series - Mini** 4 1/4" bag housing is available in both single and double lengths. The top opening style is equipped with a Vee clamp as standard for pressures up to 8.5 bar g.

These housings are widely used where low cost is of prime importance and this makes them the ideal choice to replace conventional cast stainless steel strainers. The side inlet and bottom outlet configuration is perfectly suited to duties where product changes demand a simple-to-clean, easy access housing. With only the basket to remove, quick and efficient cleaning is possible with the **81 Series - Mini** housing.





Bolted closures and heating jackets are options available for all models.

The **81 Series - Mini** housing will accept the full range of Amazon and industry-standard bags ranging from 1 to 1000µm with nominal lengths of 7" (P3) and 14" (P4).

### Product Features

- Quick release Vee clamp closure for ease of access rated at 8.5 bar g
- Internally and externally electropolished as standard
- Robust bag support basket assembly fabricated from perforated sheet, rather than wire mesh, for extra strength
- Wide range of options available for connection sizes and types and materials of construction
- Available in 316L stainless steel
- PED and ATEX Compliant



Accessories	Part Number
Pressure Gauge and Vent Valve Kit 	60S000016
Pressure Gauge and Auto Vent Valve Kit 	60S000082
Displacement Pod 	81S011000
Mounting Bracket 	81S010005

## Features and Benefits

- Integral vent to aid efficient filter changeout
- Each housing is etched with a unique serial number for full traceability
- Full housing customisation service available
- Internally and externally electropolished as standard

## Product Range

Amazon Filters design and manufacture an extensive range of liquid filtration systems, providing one of the widest selections of filtration vessels, depth filters and pleated cartridges available today, ensuring excellent process and filter compatibility. As one of Europe's leading manufacturers of filtration systems, Amazon Filters is able to offer a solution to meet all filtration requirements. Amazon's filters are manufactured in clean room conditions and all products come with detailed Product Validation Guides and Technical Support documentation.



**AMAZON**

# 81 Series Technical Data

## Maximum Operating Conditions

Pressure Range: Vee clamp  
 Liquid: 8.5 bar g  
 Gas Group 1: N/A  
 Gas Group 2: N/A

Temperature Range: -10°C / 110°C

## Materials of Construction

Body: 316L St. Steel  
 Closure: Vee clamp - 304 St. Steel

## Finish

Vessel: Electropolished  
 Basket: Pickled

## Connections

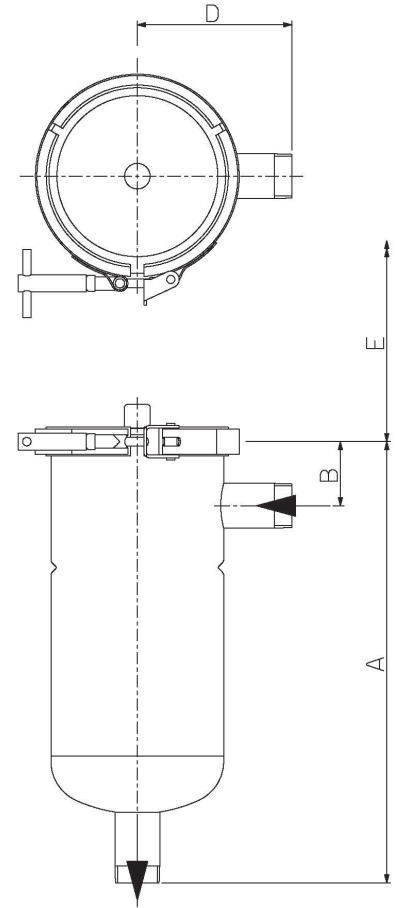
Inlet / Outlet: 1", 1½" or 2" BSPM  
 Vent: ¼" BSP

Model	Dimensions					Volume (Litres)	Dry Weight (kg)
	A	B	C	D	E		
81011MVN10A1EE	329	49	-	115	200	2.9	3.9
81012MVN15A1EE	490	49	-	115	350	4.8	5.4
81012MVN20A1EE	486	48	-	112	350	4.8	5.5

**PED Status:** Compliant with 2014/68/EU  
 Fluid Groups: Liquids Groups 1+2

**ATEX:** Compliant with 2014/34/EU, level CE Ex II 2 GD c X

Technical drawings for individual housing showing dimensions, volume, weights, maximum temperatures and design pressures are available on request.



# Ordering Guide

8101	1	M	V	N	10	A	1	E	E
No of Bags	Bag Length	Bag Collar Style / Size	Closure Style	Mounting	Connection	Connection Type	Materials	Finish	Seal
8101 - 1 Bag	1 - Single 2 - Double	M - MINI ¼" N - No Basket H - Ferrostik *1 (magnetic insert)	V - Pressed Vee clamp	E - Bracket N - None	10 - 1" 15 - 1½" 20 - 2"	A - BSPM C - EN1092-1 Flange PN16 G - Table E Flange H - ASME Flange 150# L - BS4825-3 Tri Clamp K - Stub Pipe M - DIN11851 N - RJTM P - SMS M (Swedish) R - IDFM S - DIN2633 Flange	1 - 316 St. Steel (L Grade)	E - Electropolished	E - EPDM F - FEP / Silicone S - Silicone V - Viton

Example: 81011MVN10A1EE = 81 Series, Single Length Bag, MINI ¼" Bag collar, pressed vee clamp closure, no mounting, 1" BSPM connections. 316L St. Steel with electropolished finish and EPDM seals. \*1 Double length only.

# AMAZON FILTERS LTD.

Albany Park Estate, Camberley, Surrey, GU16 7PG, ENGLAND

Tel: +44 (0) 1276 670 600 Email: sales@amazonfilters.co.uk Web: www.amazonfilters.com