

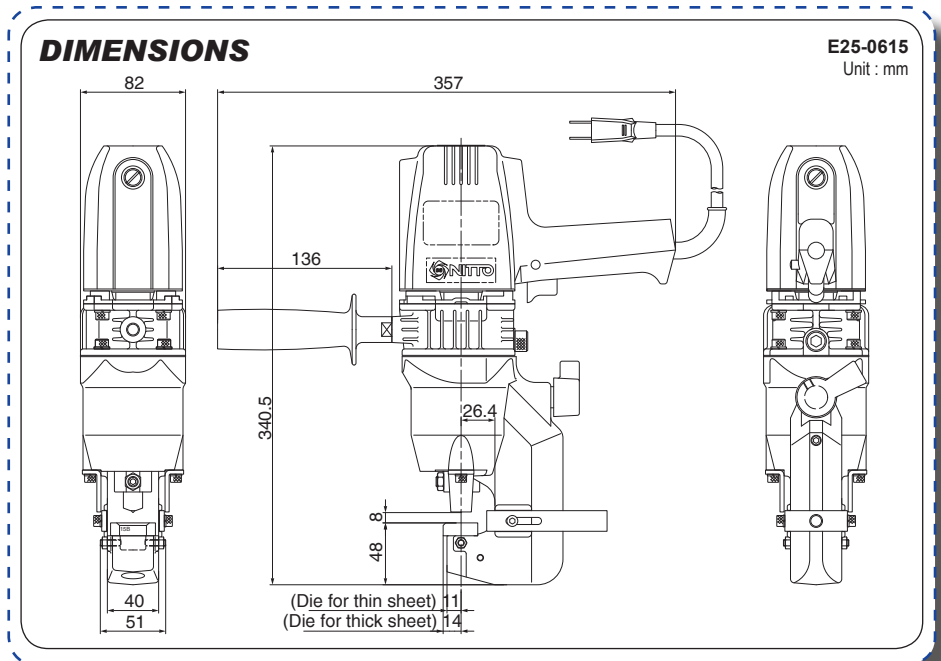
E25-0615

FEATURES

- In-built hydraulic pump
- Punches both round and elongated holes
- Maximum punching diameter 15mm thru 6mm flat plate, 4mm stainless steel and channel up to 125mm x 65mm
- 25mm throat depth
- Stand Assembly available as optional extra - TB00800



Built-in hydraulic pump shows its power in making round or elongated holes in flat bar, angle bar or channel iron

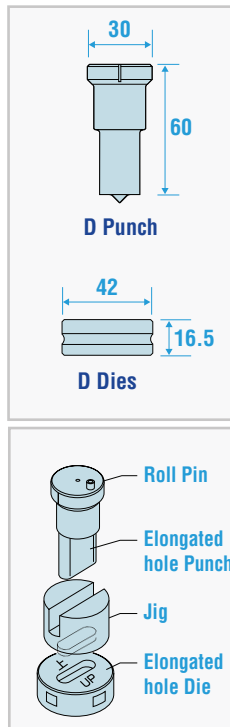


| Model No. | Power Source | Power Consumption | Punching Dia. Capacity | Max. Punching Plate Thickness | | Throat Depth | Weight |
|-----------------|--------------|-------------------|------------------------|-------------------------------|-----------------|--------------|--------|
| | | | | Mild Steel | Stainless Steel | | |
| E25-0615 | 220~240V AC | 305W | 4-15mm | 6mm | 4mm | 25mm | 7kg |

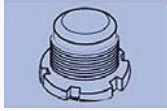
HS06-1322, HS07-1624 and HS11-1624

| Elongated Hole D Punch | | Elongated Hole D Die | | Elongated Hole Jig | |
|------------------------|-----------------|----------------------|---------------|--------------------|-------------|
| TJ13229 | D Punch 16 x 8 | TJ13238 | D Die 16 x 8 | TK00455 | Jig 16 x 8 |
| TJ13230 | D Punch 18 x 9 | TJ13239 | D Die 18 x 9 | TK00456 | Jig 18 x 9 |
| TJ13231 | D Punch 20 x 10 | TJ13240 | D Die 20 x 10 | TK00457 | Jig 20 x 10 |
| TJ13232 | D Punch 22 x 11 | TJ13241 | D Die 22 x 11 | TK00458 | Jig 22 x 11 |
| TJ13233 | D Punch 24 x 12 | TJ13242 | D Die 24 x 12 | TK00459 | Jig 24 x 12 |
| *TJ13234 | D Punch 25 x 9 | TJ13243 | D Die 25 x 9 | TK00460 | Jig 25 x 9 |
| *TJ13235 | D Punch 25 x 12 | TJ13244 | D Die 25 x 12 | TK00461 | Jig 25 x 12 |
| *TJ13236 | D Punch 25 x 14 | TJ13245 | D Die 25 x 14 | TK00462 | Jig 25 x 14 |
| *TJ13237 | D Punch 25 x 18 | TJ13246 | D Die 25 x 18 | TK00463 | Jig 25 x 18 |

| Round Hole D Punch | | Round Hole D Die | |
|--------------------|--------------|------------------|------------|
| TJ10778 | D Punch 8 | TJ10779 | D Die 8 |
| TJ11088 | D Punch 9 | TJ11089 | D Die 9 |
| TJ06700 | D Punch 10 | TJ06701 | D Die 10 |
| TJ06698 | D Punch 11 | TJ06699 | D Die 11 |
| TJ06696 | D Punch 12 | TJ06697 | D Die 12 |
| TJ06694 | D Punch 13 | TJ06695 | D Die 13 |
| TJ06692 | D Punch 14 | TJ06693 | D Die 14 |
| TJ06611 | D Punch 14.5 | TJ06612 | D Die 14.5 |
| TJ06690 | D Punch 15 | TJ06691 | D Die 15 |
| TJ06688 | D Punch 16 | TJ06689 | D Die 16 |
| TJ06686 | D Punch 17 | TJ06687 | D Die 17 |
| TJ06609 | D Punch 17.5 | TJ06610 | D Die 17.5 |
| TJ06684 | D Punch 18 | TJ06685 | D Die 18 |
| TJ06682 | D Punch 19 | TJ06683 | D Die 19 |
| TJ06680 | D Punch 20 | TJ06681 | D Die 20 |
| TJ06607 | D Punch 20.5 | TJ06608 | D Die 20.5 |
| TJ06678 | D Punch 21 | TJ06679 | D Die 21 |
| TJ07979 | D Punch 21.5 | TJ07980 | D Die 21.5 |
| TJ06676 | D Punch 22 | TJ06677 | D Die 22 |
| TJ06674 | D Punch 23 | TJ06675 | D Die 23 |
| TJ06566 | D Punch 23.5 | TJ06569 | D Die 23.5 |
| TJ07748 | D Punch 24 | TJ07749 | D Die 24 |
| *TJ10061 | D Punch 25 | TJ10062 | D Die 25 |



* NPTA99037 Lock Nut Ass'y is required for Elongated D Punch 25 x 9/12/14/18 and D Punch 25

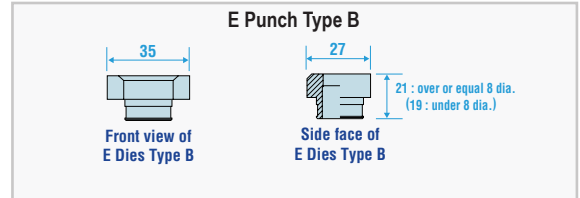
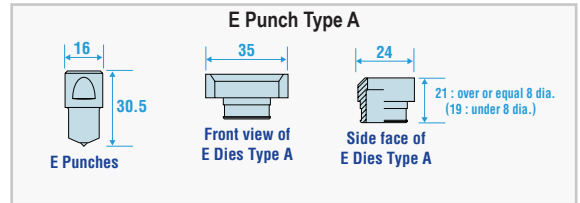


E25-0615

| Round Hole E Punch | Round Hole E Die (Type A for thin sheets) | E Die (Type B for thick sheets) |
|--------------------|---|---------------------------------|
| TK00100 | E Punch 4 | TK00101 E Die 4A |
| TK00102 | E Punch 5 | TK00103 E Die 5A |
| TK00143 | E Punch 5.5 | TK00144 E Die 5.5A |
| TK00105 | E Punch 6 | TK00106 E Die 6A |
| TK00146 | E Punch 6.5 | TK00147 E Die 6.5A |
| TK00111 | E Punch 8 | TK00112 E Die 8A |
| TK00149 | E Punch 8.5 | TK00150 E Die 8.5A |
| TK00117 | E Punch 10 | TK00118 E Die 10A |
| TK00120 | E Punch 11 | TK00121 E Die 11A |
| TK00123 | E Punch 12 | TK00124 E Die 12A |
| TK00097 | E Punch 13 | TK00098 E Die 13A |
| TK00167 | E Punch 14 | TK00168 E Die 14A |
| TK00428 | E Punch 15 | TK00288 E Die 15A |
| TK00104 | E Die 5B | TK00104 E Die 5B |
| TK00145 | E Die 5.5B | TK00145 E Die 5.5B |
| TK00107 | E Die 6B | TK00107 E Die 6B |
| TK00148 | E Die 6.5B | TK00148 E Die 6.5B |
| TK00113 | E Die 8B | TK00113 E Die 8B |
| TK00151 | E Die 8.5B | TK00151 E Die 8.5B |
| TK00119 | E Die 10B | TK00119 E Die 10B |
| TK00122 | E Die 11B | TK00122 E Die 11B |
| TK00125 | E Die 12B | TK00125 E Die 12B |
| TK00099 | E Die 13B | TK00099 E Die 13B |
| TK00169 | E Die 14B | TK00169 E Die 14B |
| TK00429 | E Die 15B | TK00429 E Die 15B |

| Elongated Hole E Punch | Elongated Hole E Die (Type A for thin sheets) |
|------------------------|---|
| TK00126 | E Punch 10 x 5 |
| TK00158 | E Punch 10 x 6.5 |
| TK00129 | E Punch 12 x 6 |
| TK00152 | E Punch 13 x 6.5 |
| TK00155 | E Punch 13 x 8.5 |
| TK00127 | E Die 10 x 5A |
| TK00159 | E Die 10 x 6.5A |
| TK00130 | E Die 12 x 6A |
| TK00153 | E Die 13 x 6.5A |
| TK00156 | E Die 13 x 8.5A |

| Elongated Hole E Die (Type B for thick sheets) | |
|--|-----------------|
| TK00128 | E Die 10 x 5B |
| TK00160 | E Die 10 x 6.5B |
| TK00131 | E Die 12 x 6B |
| TK00154 | E Die 13 x 6.5B |
| TK00157 | E Die 13 x 8.5B |



E55-0619

| Elongated Hole E Punch | Elongated Hole E Die (Type A for thin sheets) | Elongated Hole E Die (Type B for thick sheets) |
|------------------------|---|--|
| TK00242 | EL Punch 10 x 6.5 | TK00254 EL Die 10 x 6.5A |
| TK00243 | EL Punch 13 x 6.5 | TK00255 EL Die 13 x 6.5A |
| TK00244 | EL Punch 13 x 8.5 | TK00256 EL Die 13 x 8.5A |
| TK00245 | EL Punch 13.5 x 9 | TK00257 EL Die 13.5 x 9A |
| TK00246 | EL Punch 15 x 10 | TK00258 EL Die 15 x 10A |
| TK00247 | EL Punch 16.5 x 11 | TK00259 EL Die 16.5 x 11A |
| TK00248 | EL Punch 17 x 8.5 | TK00260 EL Die 17 x 8.5A |
| TK00249 | EL Punch 18 x 9 | TK00261 EL Die 18 x 9A |
| TK00250 | EL Punch 18 x 12 | TK00262 EL Die 18 x 12A |
| TK00251 | EL Punch 19.5 x 13 | TK00263 EL Die 19.5 x 13A |
| TK00252 | EL Punch 20 x 10 | TK00264 EL Die 20 x 10A |
| TK00253 | EL Punch 21 x 14 | TK00265 EL Die 21 x 14A |
| TK00266 | EL Die 10 x 6.5B | TK00266 EL Die 10 x 6.5B |
| TK00267 | EL Die 13 x 6.5B | TK00267 EL Die 13 x 6.5B |
| TK00268 | EL Die 13 x 8.5B | TK00268 EL Die 13 x 8.5B |
| TK00269 | EL Die 13.5 x 9B | TK00269 EL Die 13.5 x 9B |
| TK00270 | EL Die 15 x 10B | TK00270 EL Die 15 x 10B |
| TK00271 | EL Die 16.5 x 11B | TK00271 EL Die 16.5 x 11B |
| TK00272 | EL Die 17 x 8.5B | TK00272 EL Die 17 x 8.5B |
| TK00273 | EL Die 18 x 9B | TK00273 EL Die 18 x 9B |
| TK00274 | EL Die 18 x 12B | TK00274 EL Die 18 x 12B |
| TK00275 | EL Die 19.5 x 13B | TK00275 EL Die 19.5 x 13B |
| TK00276 | EL Die 20 x 10B | TK00276 EL Die 20 x 10B |
| TK00277 | EL Die 21 x 14B | TK00277 EL Die 21 x 14B |

| Round Hole EL Punch | Round Hole EL Die (Type A for thin sheets) | Round Hole EL Die (Type B for thick sheets) | Round Hole EL Die (Type C for channel iron) |
|---------------------|--|---|---|
| TK00193 | EL Punch 6 | TK00208 EL Die 6A | TK00222 EL Die 6B |
| TK00194 | EL Punch 6.5 | TK00209 EL Die 6.5A | TK00223 EL Die 6.5B |
| TK00195 | EL Punch 8 | TK00210 EL Die 8A | TK00224 EL Die 8B |
| TK00196 | EL Punch 8.5 | TK00211 EL Die 8.5A | TK00225 EL Die 8.5B |
| TK00197 | EL Punch 10 | TK00212 EL Die 10A | TK00226 EL Die 10B |
| TK00198 | EL Punch 11 | TK00213 EL Die 11A | TK00227 EL Die 11B |
| TK00199 | EL Punch 12 | TK00214 EL Die 12A | TK00228 EL Die 12B |
| TK00200 | EL Punch 13 | TK00215 EL Die 13A | TK00229 EL Die 13B |
| TK00201 | EL Punch 14 | TK00216 EL Die 14A | TK00230 EL Die 14B |
| TK00202 | EL Punch 15 | TK00217 EL Die 15A | TK00231 EL Die 15B |
| TK00203 | EL Punch 16 | TK00218 EL Die 16A | TK00232 EL Die 16B |
| TK00204 | EL Punch 17 | TK00219 EL Die 17A | TK00233 EL Die 17B |
| TK00205 | EL Punch 18 | TK00220 EL Die 18A | TK00234 EL Die 18B |
| TK00278 | EL Punch 18.5 | TK00279 EL Die 18.5A | TK00280 EL Die 18.5B |
| TK00180 | EL Punch 19 | TK00181 EL Die 19A | TK00182 EL Die 19B |

