

PNEUMATIC RATCHET WRENCH FOR THOSE SMALLER JOBS UP TO 10MM BOLT SIZE

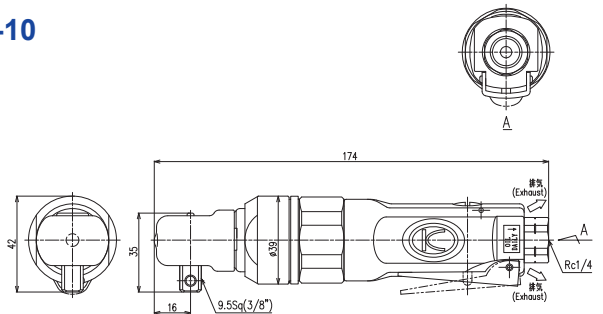
FEATURES

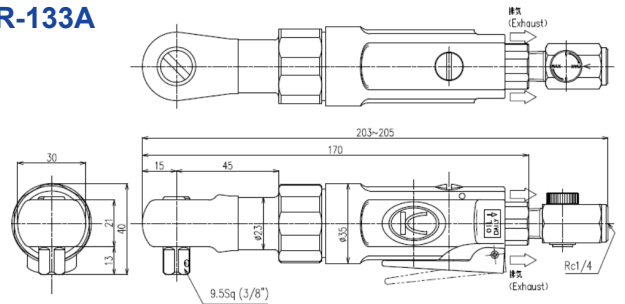
- Compact size and light weight for efficient use even narrow place.
- It will not fasten the screw too tightly and damage.
- Five times working efficiency comparing with manual work.

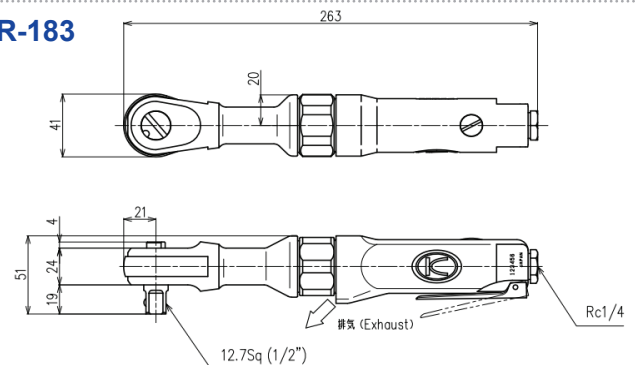
APPLICATIONS

- For screw fastening work smaller than 10mm.
- For setting work of ignition plug, oil pan, water pump and air conditioner of automobile.
- For automobile sheet metal work.

KRI-10

KRI-10

KR-133A

KR-133A

KR-183

KR-183


Model No	Sq. Drive	Inlet Size	Speed	Max Torque		Air Consumption	Weight
				Nm	ft/lbs		
KRI-10	3/8"	1/4"	500 rpm	30	22	8.8cfm	0.65kg
KRI-133A	3/8"	1/4"	300 rpm	20	14	8.8cfm	0.54kg
KRI-183	1/2"	1/4"	160 rpm	30	22	8.8cfm	1.1kg