

# Exploded View/Parts List

## JT-16 Exploded View/Parts List

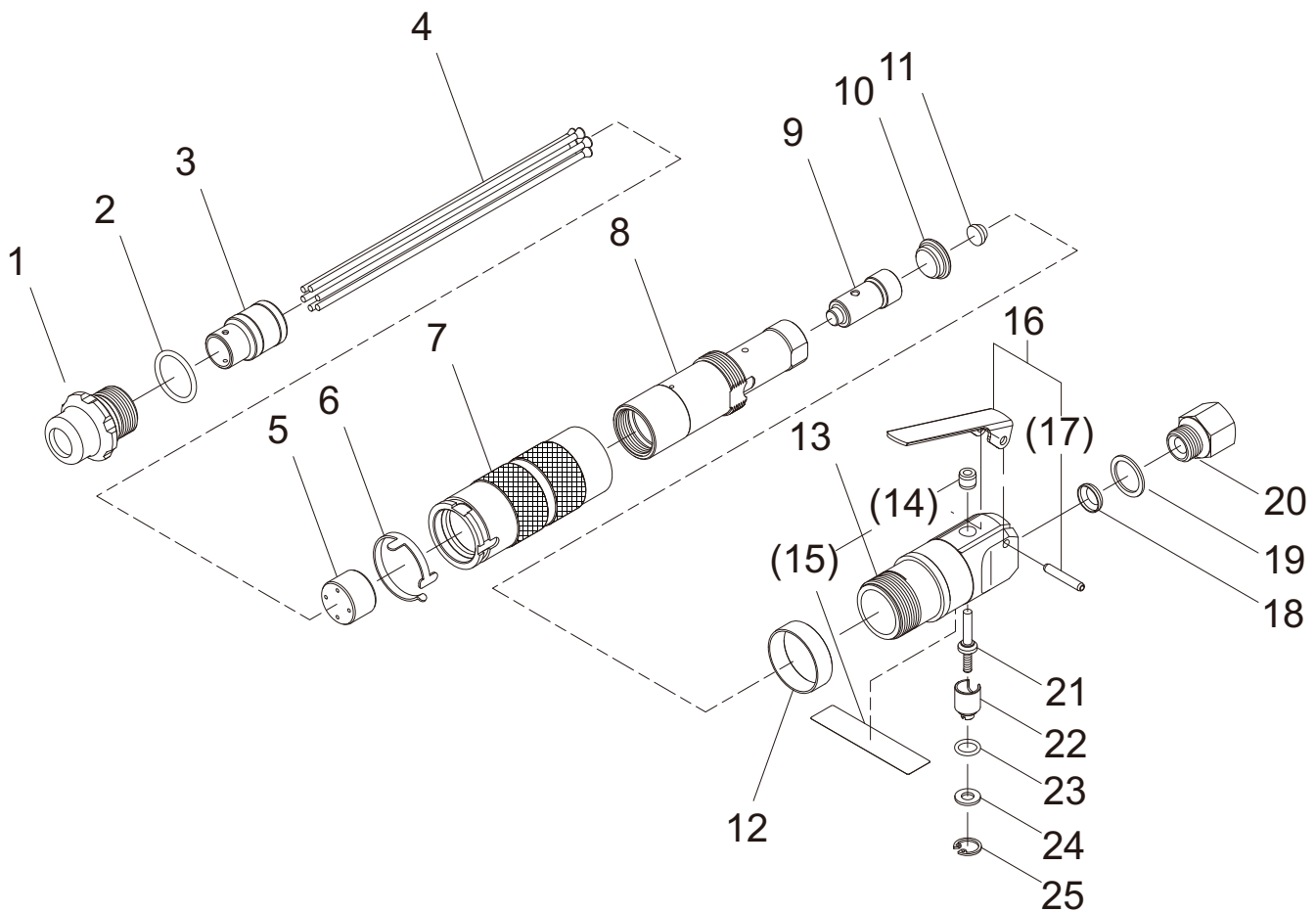
### ⚠ CAUTION

- Users should never perform disassembly of the tool.

This illustration is for reference only.

For repair or replacement of the tool, request service from the retailer where you purchased the tool or the nearest NITTO service member store.

Exploded view/parts list are subject to change at any time without notice. (As of Dec. 2017)



\*1 indicates a consumable item, \*2 indicates a commercial item. Parts inside ( ) are components of the above assembly.

No.	Part No.	Part name	Quantity
1	TQ15303	Lock Ring	1
2	CQ40645	O-Ring P-22	1
3	TQ15315	Needle Supporter O.D. 3	1
*1 4	—	Needle O.D. 3×180 mm	6
5	TQ15314	Throttle Anvil	1
6	TQ15310	Safety Band	1
7	TQ15311	Housing Sleeve	1
8	TQ15312	Cylinder	1
9	TQ03427	Piston	1
10	TQ15304	End Plate	1
11	TQ15305	Rear Cushion	1
12	TQ15309	Ring	1

Exploded view/parts list are subject to change at any time without notice. (As of Dec. 2017)

No.	Part No.	Part name	Quantity
13	TB10540	Valve Body Sub Ass'y	1 set
(14)	(TQ15307)	Bushing	1
(15)	(TQ15407)	Model Number Label	1
16	TB10432	Lever Ass'y	1 set
(17)	(TP08389)	Spring Pin 4×24 AW	1
18	TQ04929	Filter	1
19	TQ05564	Washer 16.2×21×1	1
20	TQ02349	Bushing M16×Rc 3.8	1
21	TA93070	Valve Stem Ass'y	1 set
22	TP06325	Adjust Valve	1
23	TP11997	O-Ring KS-7	1
24	TP06326	Spacer 6×12×1.2	1
25	TP03695	Internal Retaining Ring C-12	1

#### Accessories

No.	Part No.	Part name	Quantity
	TQ02350	Bushing R 3/8×NPT 3/8	1
	TQ03262	Hose Nipple R 3/8×3/8	1
	—	Needle O.D. 3×180 mm	6
	TQ15408	Instruction Manual	1