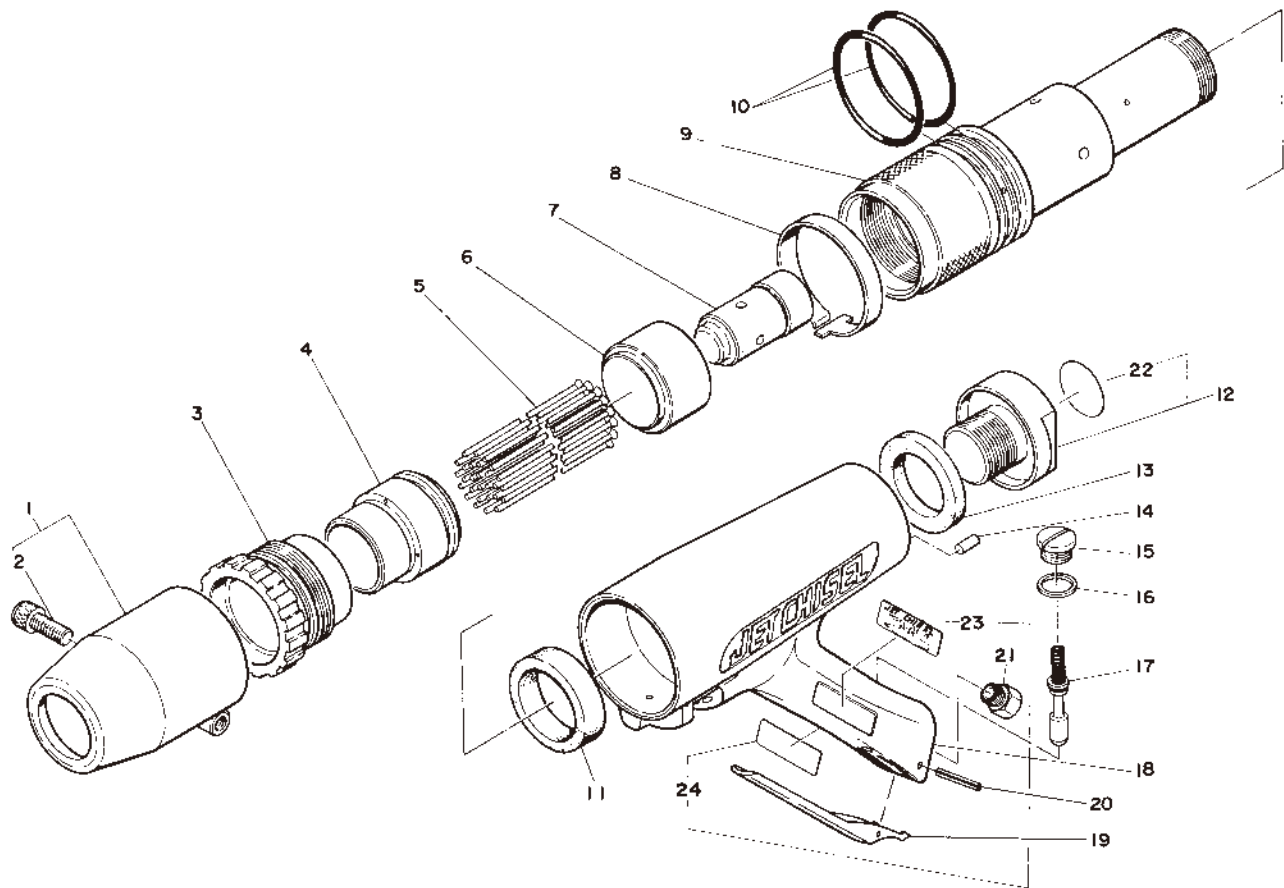


EXPLODED DIAGRAM : JEX-28

WARNING

This diagram is for your reference only. Do not attempt to service or repair the Tool.
Do not take the Tool apart. Contact an authorized Nitto dealer for all service and repair of the Tool.
Improper service and repair can cause accidents and service injuries.
Never attempt to modify the Tool. Never attempt service or repair the Tool yourself.

Exploded diagram/parts list are subject to change at any time without notice. (As of Oct. 2014)



The part numbers with () are included in the Ass'y parts written above them.

No.	Part No.	Description	Qty	Price
1	TA93365	Round Needle Guide Ass'y	1set	
2	(TP00045)	Hex. Socket Head Cap Screw 8x25	1	
3	TP01464	Lock Ring	1	
4	TP01461	Needle Supporter O.D.3	1	
5	—	Needle O.D.3x180mm	28	
6	TP00399	Throttle Anvil	1	
7	TP00395	Piston	1	
8	TP01466	Lock Band	1	
9	TP01463	Cylinder	1	
10	TP11993	O-Ring AS568A-226	2	
11	TP01474	Front Washer	1	
12	TB08717	Rear Bolt Ass'y	1set	
22	(TQ12688)	Label Warning	1	
13	TP01475	Rear Washer	1	
14	TP01478	Cylinder Lock Pin	1	
15	TP00389	Valve Cap	1	
16	TP00388	Valve Packing	1	

No.	Part No.	Description	Qty	Price
17	TA90037	Throttle Valve Ass'y	1set	
18	TB08716	Housing Sub Ass'y	1set	
23	(TP01471)	Name Plate	1	
24	(TQ12611)	Label Warning CE Mark	1	
19	TP01557	Throttle Lever	1	
20	TQ00563	Spring Pin 3x20	1	
21	TQ02349	Bushing M16xRc3/8	1	

Accessories

No.	Part No.	Description	Qty	Price
	—	Needle O.D.4x180mm	14	
	TP01462	Needle Supporter O.D.4	1	
	TP00170	Hex. Socket Screw Key 6	1	
	TQ02350	Bushing R3/8xNPT3/8	1	
	TQ03262	Hose Nipple R3/8x3/8	1	
	TQ12717	Instruction Manual	1	
	TQ12718	Declaration of Conformity	1	