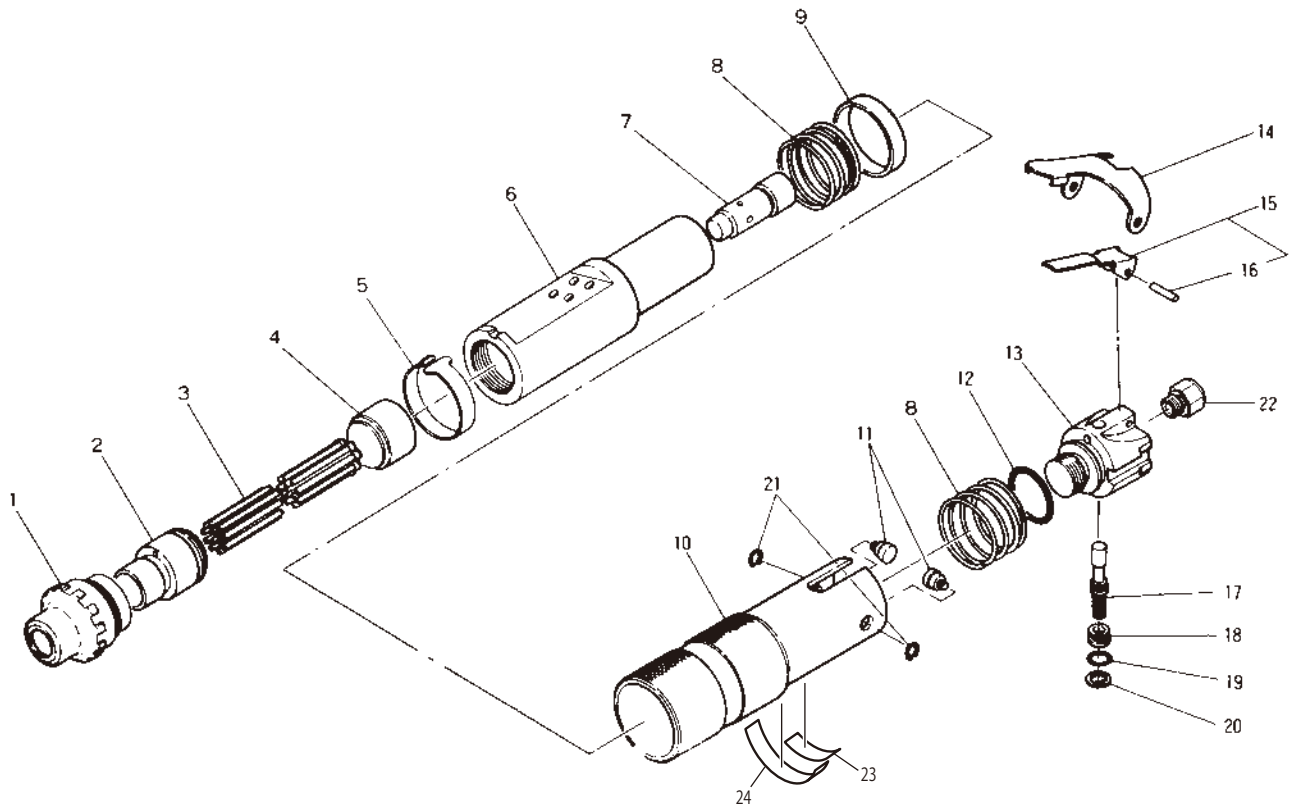


## EXPLODED DIAGRAM : JEX-20

### WARNING

This diagram is for your reference only. Do not attempt to service or repair the Tool.  
Do not take the Tool apart. Contact an authorized Nitto dealer for all service and repair of the Tool.  
Improper service and repair can cause accidents and service injuries.  
Never attempt to modify the Tool. Never attempt service or repair the Tool yourself.

Exploded diagram/parts list are subject to change at any time without notice. (As of Oct. 2014)



The part numbers with ( ) are included in the Ass'y parts written above them.

No.	Part No.	Description	Qty	Price
1	TP14689	Lock Ring	1	
2	TP00337	Needle Supporter O.D.3	1	
3	—	Needle O.D.3×180mm	12	
4	TP00336	Throttle Anvil	1	
5	TP14593	Lock Band	1	
6	TA99176	Cylinder Ass'y	1set	
7	TP00332	Piston	1	
8	TP14594	Spring 2.2×40.5×34	2	
9	TP14595	Stopper	1	
10	TB08713	Cover Sub Ass'y	1set	
23	(TQ12611)	Label Warning CE Mark	1	
24	(TQ12690)	Label Warning	1	
11	TP14599	Level Pin	2	
12	LP12795	O-Ring G-30	1	
13	TP15229	Valve Body	1	
14	TP14597	Throttle Lever	1	

No.	Part No.	Description	Qty	Price
15	TA98982	Throttle Lever Ass'y	1set	
16	(TP01921)	Spring Pin 3×18	1	
17	TA98983	Throttle Valve Ass'y	1set	
18	TP14601	Valve Cap	1	
19	TP14604	O-Ring S-10	1	
20	TP03695	Internal Retaining Ring C-12	1	
21	TP02853	Retaining Ring E-4	2	
22	TQ02349	Bushing M16×Rc3/8	1	

#### Accessories

No.	Part No.	Description	Qty	Price
	—	Needle O.D.3×180mm	12	
	TQ02350	Bushing R3/8×NPT3/8	1	
	TQ03262	Hose Nipple R3/8×3/8	1	
	TQ12717	Instruction Manual	1	
	TQ12718	Declaration of Conformity	1	