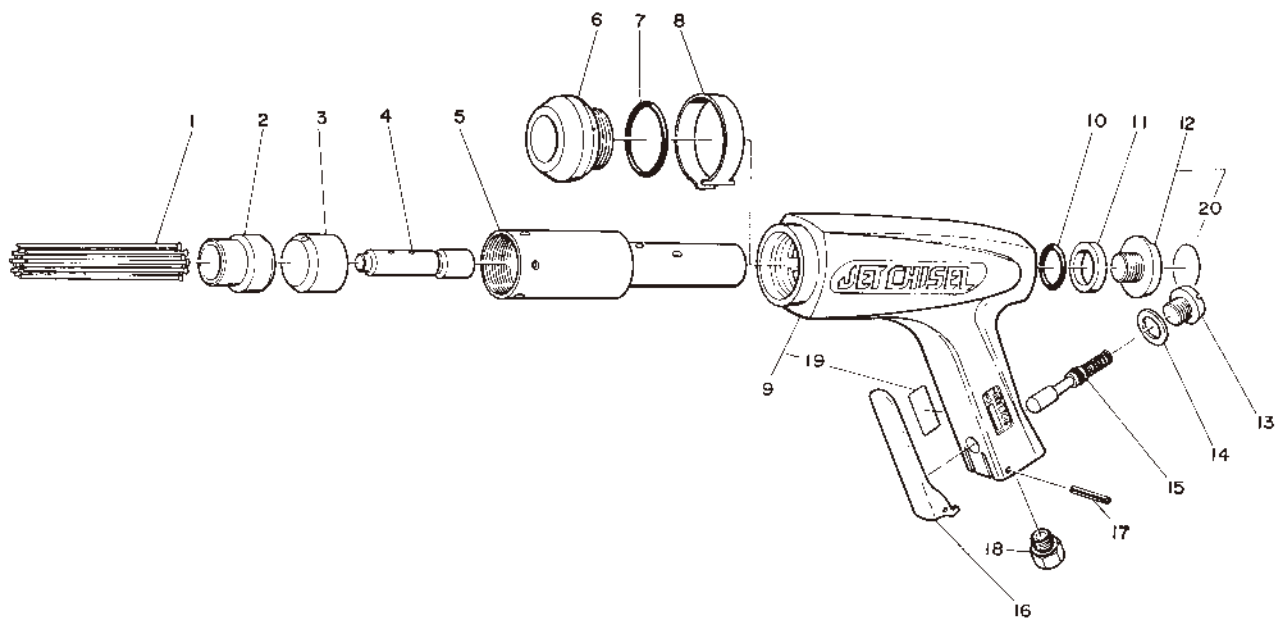


EXPLODED DIAGRAM : JC-16

WARNING

This diagram is for your reference only. Do not attempt to service or repair the Tool.
Do not take the Tool apart. Contact an authorized Nitto dealer for all service and repair of the Tool.
Improper service and repair can cause accidents and service injuries.
Never attempt to modify the Tool. Never attempt service or repair the Tool yourself.

Exploded diagram/parts list are subject to change at any time without notice. (As of Oct. 2014)



The part numbers with () are included in the Ass'y parts written above them.

No.	Part No.	Description	Qty	Price
1	—	Needle O.D.2×150mm	29	
2	TP00290	Needle Supporter O.D.2	1	
3	TP00289	Throttle Anvil	1	
4	TP00288	Piston	1	
5	TP00287	Cylinder	1	
6	TP00292	Lock Ring	1	
7	TP11987	O-Ring KS-24	1	
8	TP00295	Lock Band	1	
9	TB08709	Housing Sub Ass'y	1set	
19	(TQ12611)	Label Warning CE Mark	1	
10	TP11986	O-Ring KS-19	1	
11	TP03336	Rear Washer	1	
12	TB08710	Rear Bolt Ass'y	1set	
20	(TQ12687)	Label Warning	1	

No.	Part No.	Description	Qty	Price
13	TP00389	Valve Cap	1	
14	TP00388	Valve Packing	1	
15	TA90037	Throttle Valve Ass'y	1set	
16	TP00328	Throttle Lever	1	
17	TQ00563	Spring Pin 3×20	1	
18	TQ02349	Bushing M16×Rc3/8	1	

Accessories

No.	Part No.	Description	Qty	Price
	—	Needle O.D.2×150mm	29	
	TQ02350	Bushing R3/8×NPT3/8	1	
	TQ03262	Hose Nipple R3/8×3/8	1	
	TQ12717	Instruction Manual	1	
	TQ12718	Declaration of Conformity	1	