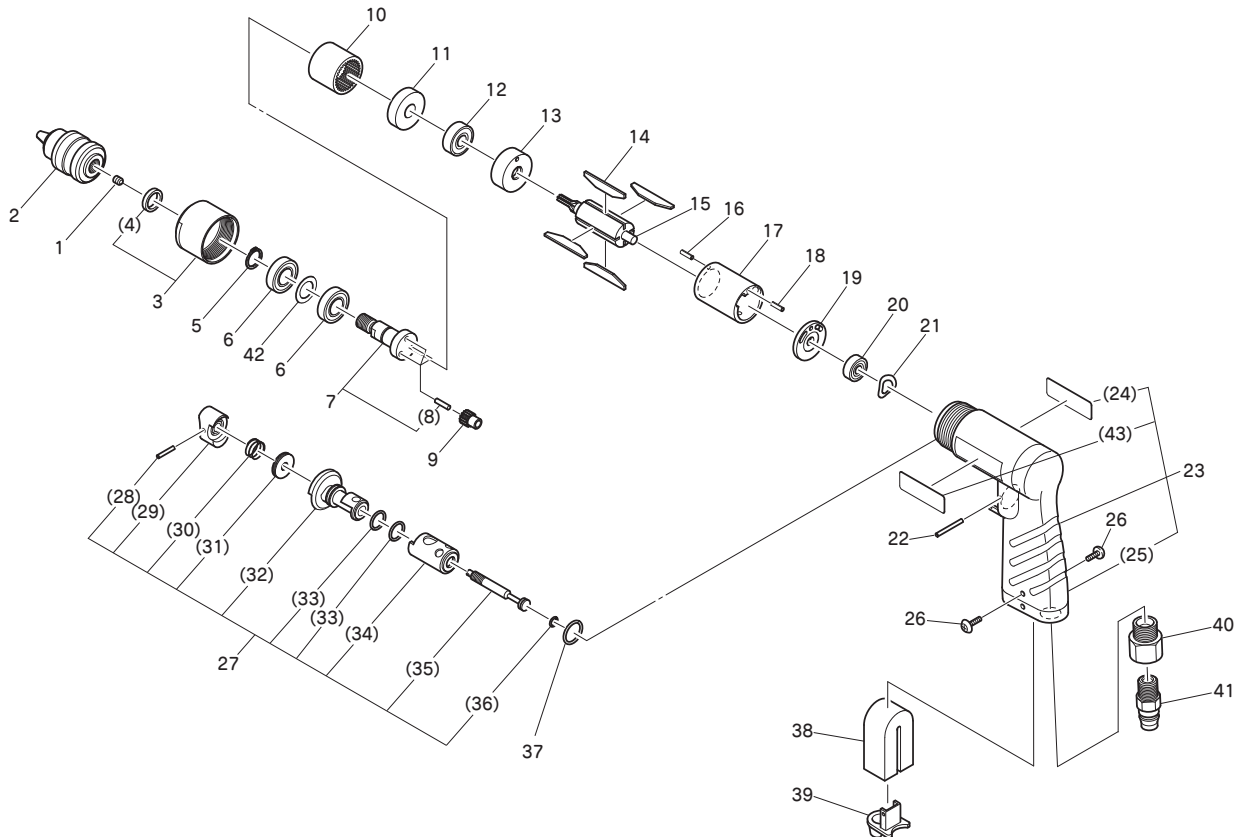


## EXPLODED DIAGRAM: ADR-65

### ⚠ WARNING

This diagram is for your reference only. Do not attempt to service or repair the Tool.  
 Do not take the Tool apart. Contact an authorized NITTO dealer for all service and repair of the Tool.  
 Improper service and repair can cause accidents and service injuries.  
 Never attempt to modify the Tool.  
 Never attempt service or repair the Tool yourself.

Exploded diagram/parts list are subject to change at any time without notice. (As of Nov. 2018)



The part numbers with ( ) are included in the Ass'y parts written above them.

No.	Part No.	Description	Qty	Price
1	TQ10993	Hex.Socket Head Setscrew 3/8-24UNF	1	
2	TQ10904	Drill Chuck 6.5mm (1/4")	1	
3	TB07329	Gear Case Cover Ass'y	1set	
4	(TP05506)	Oil Seal	1	
5	TP03546	External Retaining Ring C-12	1	
6	TQ10914	Ball Bearing 6901ZZ	2	
7	TB07331	Spindle Sub Ass'y	1set	
8	(TP05504)	Needle Roller 3×15.8	3	
9	TB07332	Planetary Gear Ass'y	3set	
10	TQ10895	Ring Gear	1	
11	TQ10905	Spacer	1	
12	TP00468	Ball Bearing 608ZZ	1	
13	TQ10900	End Plate B	1	
14	TA9A287	Blade Ass'y (4pcs/set)	1set	
15	TQ10898	Rotor	1	
16	TP00496	Spring Pin 2.5×6	1	
17	TQ10897	Cylinder	1	
18	TP12435	Spring Pin 2.5×10	1	
19	TQ10899	End Plate A	1	
20	TP03933	Ball Bearing 606ZZ	1	
21	TP06117	Waved Washer 12×16×0.3	1	
22	TP13548	Spring Pin 2.5×22	1	
23	TB08753	Housing Ass'y	1set	
43	(TQ15363)	Label Model ADR-65	1	
24	(TQ15367)	Label Warning ADR-65	1	
25	(TQ10903)	Grip Rubber	1	

No.	Part No.	Description	Qty	Price
26	TQ10975	Binding Head Tapping Screw 3×6	2	
27	TB07321	Valve Ass'y	1set	
28	(TP07950)	Spring Pin 2×14	1	
29	(TQ10873)	Trigger	1	
30	(TQ10871)	Valve Spring	1	
31	(TQ10872)	Speed Control Nut	1	
32	(TQ10874)	Valve	1	
33	(CP24969)	O-Ring JASO-1011	1	
34	(TQ10875)	Valve Bushing	1	
35	(TQ10870)	Valve Stem	1	
36	(TP08994)	O-Ring P-5	1	
37	TQ10967	O-Ring S-16	1	
38	TB07385	Muffler Ass'y	1set	
39	TQ10974	Exhaust Cover	1	
40	TP00857	Bushing M16×Rc1/4	1	
41	CP00881	20PM	1	
42	TQ10999	Shim 0.1	1	

#### ACCESSORIES

No.	Part No.	Description	Qty	Price
	CA94930	30SH	1set	
	TQ10908	Chuck Handle	1	
	TQ12825	Instruction Manual	1	
	TQ12826	Declaration of Conformity	1	