

EXPLODED DIAGRAM: B-30CL

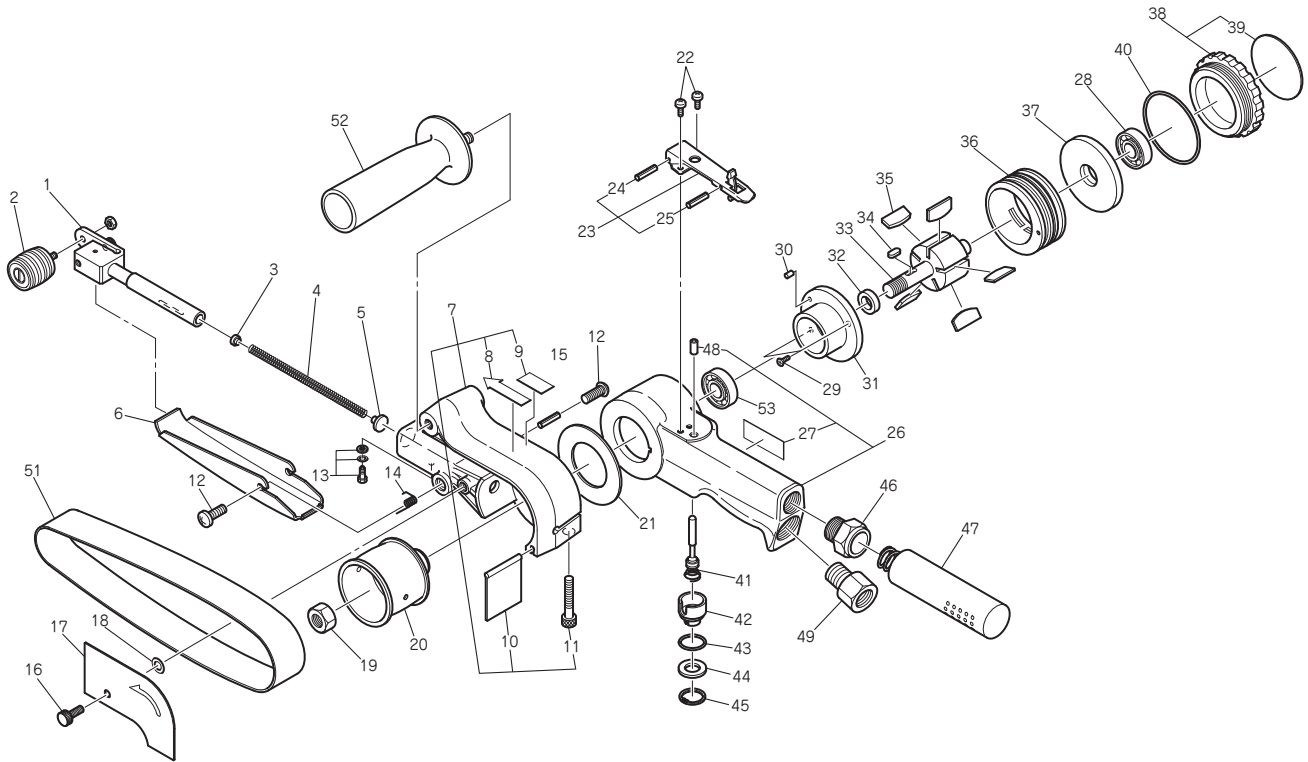
Warning Exploded diagram/parts list are subject to change at any time without notice. (As of Oct. 2017)

This diagram is for your reference only. Do not attempt to service or repair the Tool. Do not take the Tool apart. Contact an authorized Nitto dealer for all service and repair of the Tool.

Improper service and repair can cause accidents and severe injuries.

Never attempt to modify the Tool.

Never attempt service or repair the Tool yourself.



The parts numbers with () are included in the Ass'y parts written above them.

No.	Part No.	Description	Qty	Price
1	TA91524	Tension Bar Ass'y	1set	
2	TA91522	Idle Pulley Ass'y	1set	
3	TP04048	Spring Retainer A	1	
4	TP04047	Tension Spring	1	
5	TP04062	Spring Retainer B	1	
6	TQ11881	Shoe	1	
7	TB09947	Guard Sub Ass'y	1set	
8	(TP16360)	Label Rotation	1	
9	(TP16361)	Label Caution	1	
10	(TP04060)	Dust Cover	1	
11	(TP04073)	Hex. Socket Head Cap Screw 6X35	1	
12	TP08132	Pan Head Screw 6X8	2	
13	TA92254	Key Bolt Ass'y	1set	
14	TQ11810	Shoe Spring	1	
15	TQ11997	Parallel Pin 5X16	1	
16	TQ02418	Decorative Screw 5X10	1	
17	TQ14716	Belt Cover	1	
18	TQ04426	Nylon Washer	1	
19	TP04077	Hex.Nut M12X1.5	1	
20	TQ11807	Drive Pulley	1	
21	TP04058	Thrust Washer B 36.2X62X1	1	
22	TP06290	Pan Head Screw 4X8	1	
23	TB01793	Throttle Lever Ass'y	1set	
24	(TP00460)	Spring Pin 3X22 AW	1	
25	(TP05498)	Spring Pin 2X16 AW	1	
26	TB09969	Housing Sub Ass'y	1set	
27	(TQ14731)	Label Warning	1	
48	(TQ14780)	Bushing	1	
53	TQ15011	Ball Bearing 6001ZZ LP03	1	
28	TP00498	Ball Bearing 6001ZZ	1	
29	TQ11986	Hex. Countersunk Head Screw 4X8	2	
30	TP04061	SpringPin 3X6 AW	1	

No.	Part No.	Description	Qty	Price
31	TQ11801	Lower Bearing Case	1	
32	TP04036	Spacer	1	
33	TP04032	Rotor	1set	
34	TP00502	Parallel Key Both Ends Round 4X4X9.5	1	
35	TB10010	Blade Ass'y (5pcs/set)	1set	
36	TQ15029	Cylinder	1	
37	TP04035	Upper Bearing Case	1	
38	TB09970	Cap Ass'y	1set	
39	(TQ14736)	Label Model B-30CL	1	
40	TQ11806	O-Ring AS568A-034	1	
41	TA93925	Valve Stem Ass'y	1set	
42	TP12405	Adjust Valve	1	
43	TP12407	O-Ring S- 15	1	
44	TP12406	Spacer 10.5X17.9X1.6	1	
45	CP00987	Internal Retaining Ring C- 18	1	
46	TP10005	Bushing PF 3/8	1	
47	TA96323	Silencer Ass'y	1set	
49	TP00857	Bushing M16XPT1/4	1	
51	-	Abrasive Belt #60x20	1	

Accessories

No.	Part No.	Description	Qty	Price
52	TB08265	Handle Ass'y	1set	
	TP02236	Bushing PT1/4xNPT1/4	1	
	TP04004	Hex. Socket Screw Key 5	1	
51	-	Abrasive Belt Z76X # 60X30	1	
	-	Abrasive Belt Z76X # 80X30	1	
	-	Abrasive Belt Z76X #100X30	1	
	TQ14733	Instruction Manual	1	