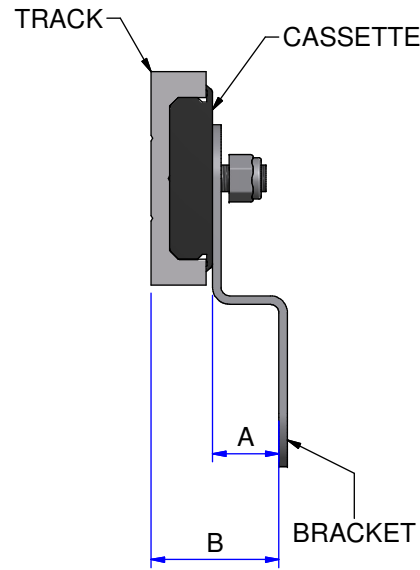


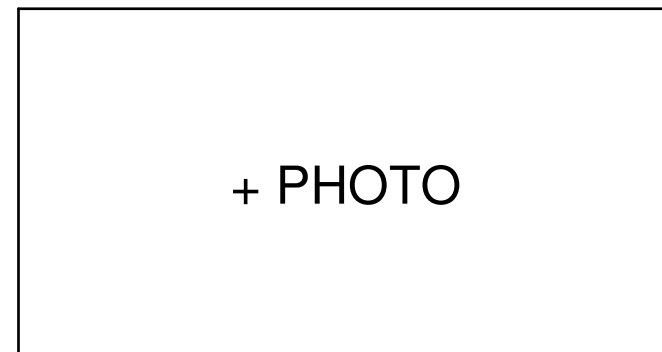
CASSETTE & BRACKET (1 : 1)

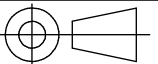



0115RC Sliding Door Bracket		
Part No.	A	B*
DZ0115-BRKT10RC	10.0 mm	22.3 mm
DZ0115-BRKT15RC	15.0 mm	27.3 mm
DZ0115-BRKT20RC	20.0 mm	32.3 mm

* For door widths above dimension "B" the slide track will need to be mounted on a spacer support beam.

Up to 40mm thick door/ panel.



REVISION HISTORY				MATERIAL OR AGREED EQUIVALENT N/A	PROJECT NUMBER 0115RC	CUSTOMER Distribution	ALL DIMENSIONS ARE IN MILLIMETERS UOS ELECTRONIC DATA IS MASTER DO NOT SCALE	 3rd ANGLE PROJECTION	
					FINISH	DATE DRAWN 03/02/2016			BY kchown
REV	DESCRIPTION	DATE	BY	ECN	TOLERANCES (UOS) .X ± 0.2 .XX ± 0.10 ANGULAR ± 1° DIA. ± 0.1	 LILIPUT ROAD - BRACKMILLS INDUSTRIAL ESTATE - NORTHAMPTON - NN4 7AS - UNITED KINGDOM - TEL: (+44)1604 761111 - FAX: (+44)1604 767190		TITLE Sliding Door Bracket	PAPER SIZE A3
A	Initial release for catalogue/ web information purposes.	03/02/16	KLC	N/A				PART NUMBER See Table	REVISION LEVEL A