

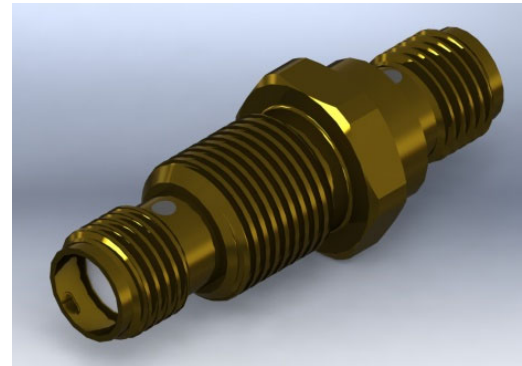
Bulkhead Attenuator, SMA

Model 2142-CRYO

Frequency Range: DC to 18.0 GHz
Power: 2 Watts

Features

- Stable Attenuation over temperature
- Low thermal noise characteristics
- Minimal self heating, achieves temperature faster.
- Optimized non-magnetic material selection.



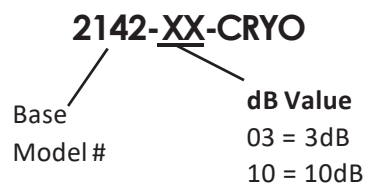
Technical Specifications

Parameter	Value
Frequency Range	DC to 18 GHz
Standard dB Values	3, 6, 10 & 20dB
Attenuation Accuracy (dB)	
3 & 6dB	±0.3dB
10 & 20dB	±0.5dB
VSWR	
DC – 4 GHz	1.15:1 Max.
4 – 18 GHz	1.20:1 Max.
8 – 12.4 GHz	1.25:1 Max.
12.4 – 18 GHz	1.35:1 Max.
Input Power	2 Watts Avg. @ 25°C <i>Derated Linearly to 1.1 Watts @ +125°C</i>
Peak Power	250 Watts Max. <i>(5uSec Pulse, .05% Duty Cycle)</i>
Impedance	50 Ohms
Operating Temp. Range	-55°C to +125°C

Mechanical

Feature	Material
SMA Connectors <i>Mates with MIL-STD-348</i>	Gold Plated Brass
Conductors	Gold Plated Beryllium Copper
Substrate	Beryllium Oxide
Resistor Material	Proprietary Thin Film
Springs	Beryllium Copper

How to Order



Order Examples

Model Number: 2142-03-CRYO

DC-18 GHz, 3dB, SMA Fem/Fem

Model Number: 2142-10-CRYO

DC-18 GHz, 10dB, SMA Fem/Fem

Design Specifications are subject to change without notice.

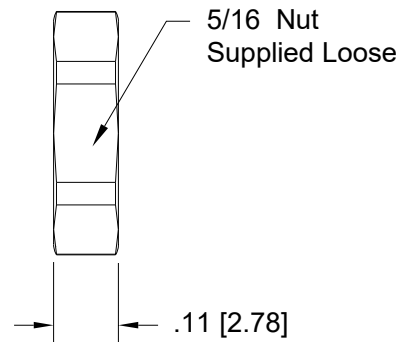
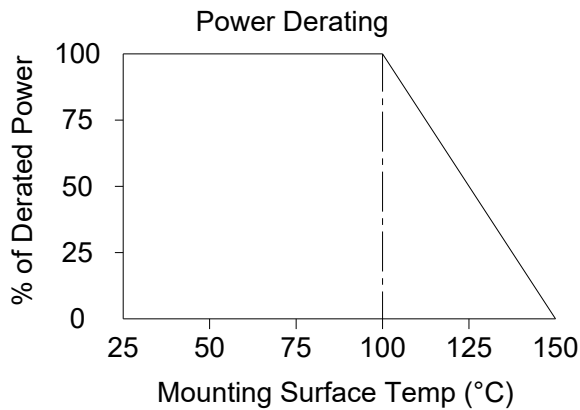
rev A

Bulkhead Attenuator, SMA

Model 2142-CRYO

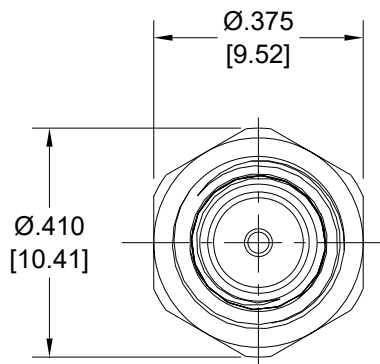
Frequency Range: DC to 18.0 GHz
Power: 2 Watts

Performance Characteristics

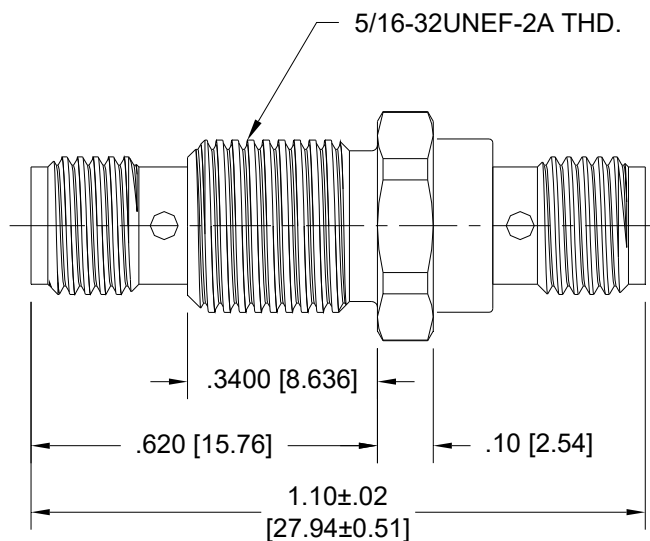


Physical Dimensions

Model Number: 2142-03-CRYO shown



Tolerance: .XXX" = ±.010"



Note: Dimensions in Brackets [] are expressed in millimeters and are for reference only.

Design Specifications are subject to change without notice.

rev A