



OWNER'S MANUAL

ADMIRAL



MESSAGE FROM ANCHOR AUDIO

Congratulations on purchasing an Anchor Audio portable lectern! You have joined the thousands of satisfied customers including the various professional athletic teams, prestigious universities, school districts nationwide, first responders, and the branches of the U.S. Military.

From developing our products on giant sticky notes to testing them in the parking lot and driving our neighbors crazy, our hearts - and ears - are 110% committed to delivering reliable battery powered portable sound systems and portable PA systems for you. But we don't stop there. Anchor Audio is proudly manufactured in America and has plenty more solutions for you to choose from: speaker monitors, conference systems, assistive listening, lecterns, and intercoms. We are your best friend in portable sound and are here for you when you need us...or even when you don't. We're just a phone call away. With over 40 years of experience, our Engineering and Production to Sales and Tech Support teams will provide you with the most reliable portable audio products and customer service.

Welcome to the Anchor Audio family! Feel free to contact us at any time. We'd love to hear from you.



Alex Jacobs
President

CONTENTS

GETTING STARTED	1
BASIC SYSTEM OPERATION	2
CONNECTING A PORTABLE SOUND SYSTEM.....	2
CONNECTING AN IN-HOUSE SOUND SYSTEM	2
ASSEMBLY INSTRUCTIONS	3
TECHNICAL SPECIFICATIONS	4
IMPORTANT SAFETY INSTRUCTIONS	5 - 6
WARRANTY	7
RETURN AUTHORIZATION PROCEDURES.....	7

GETTING STARTED

Please check your new unit carefully for any damage which may have occurred during shipment. Each Anchor Audio product is carefully inspected at the factory and packed in specially designed boxes for safe transport.

Notify the freight carrier immediately of any damage to the shipping box or product. Repack the unit in the original box and wait for inspection by the carrier's claim agent. Notify your Anchor Audio authorized dealer of the pending freight claim.

NOTE: All damage claims must be made with freight carrier!

RETURNING SYSTEMS FOR SERVICE OR REPAIR

For service or repair, please call us at 1-800-262-4671 x782 or visit www.anchoraudio.com/technical-support-form.html

Our Technical Support team will help to troubleshoot. If unsuccessful and under warranty, they will issue you a Return Merchandise Authorization (RMA) number. Once you ship your product back to Anchor Audio with the RMA number clearly noted on the box, we will diagnose your unit and repair your unit then ship it back to you. All products must be shipped prepaid. C.O.D. shipments and shipments without an RA number will be refused and returned at your expense.

IMPORTANT: Save the shipping box & packing materials. They were specially designed to ship your unit!

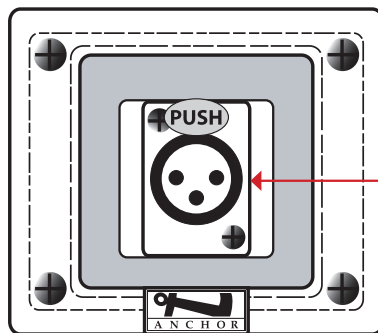
ADMIRAL

BASIC SYSTEM OPERATION

1. Assemble the Admiral lectern - instructions on page 3
2. Place the lectern on a flat surface facing your audience
3. Plug the lectern gooseneck microphone into the Lectern Mic input located on the tabletop
4. Connect the lectern to an in-house system or connect a portable sound system using an XLR cable located inside the lectern cabinet.

NOTE: The cabinet of the Admiral is designed to hold the Liberty 2 or Go Getter 2

5. Use the controls from your sound choice in step 4 to control the mic volume and system operation



XLR MICROPHONE INPUT

GOOSENECK SHOCK MOUNT JACK

CONNECTING A PORTABLE SOUND SYSTEM

After the Admiral is fully assembled:

1. Position ADMIRAL lectern upright on a flat surface
2. Place portable sound system inside the cabinet on shelf as shown
3. Connect lectern XLR cable to sound system

NOTE: See your sound system manual for operational instructions.

CONNECTING AN IN-HOUSE SOUND SYSTEM

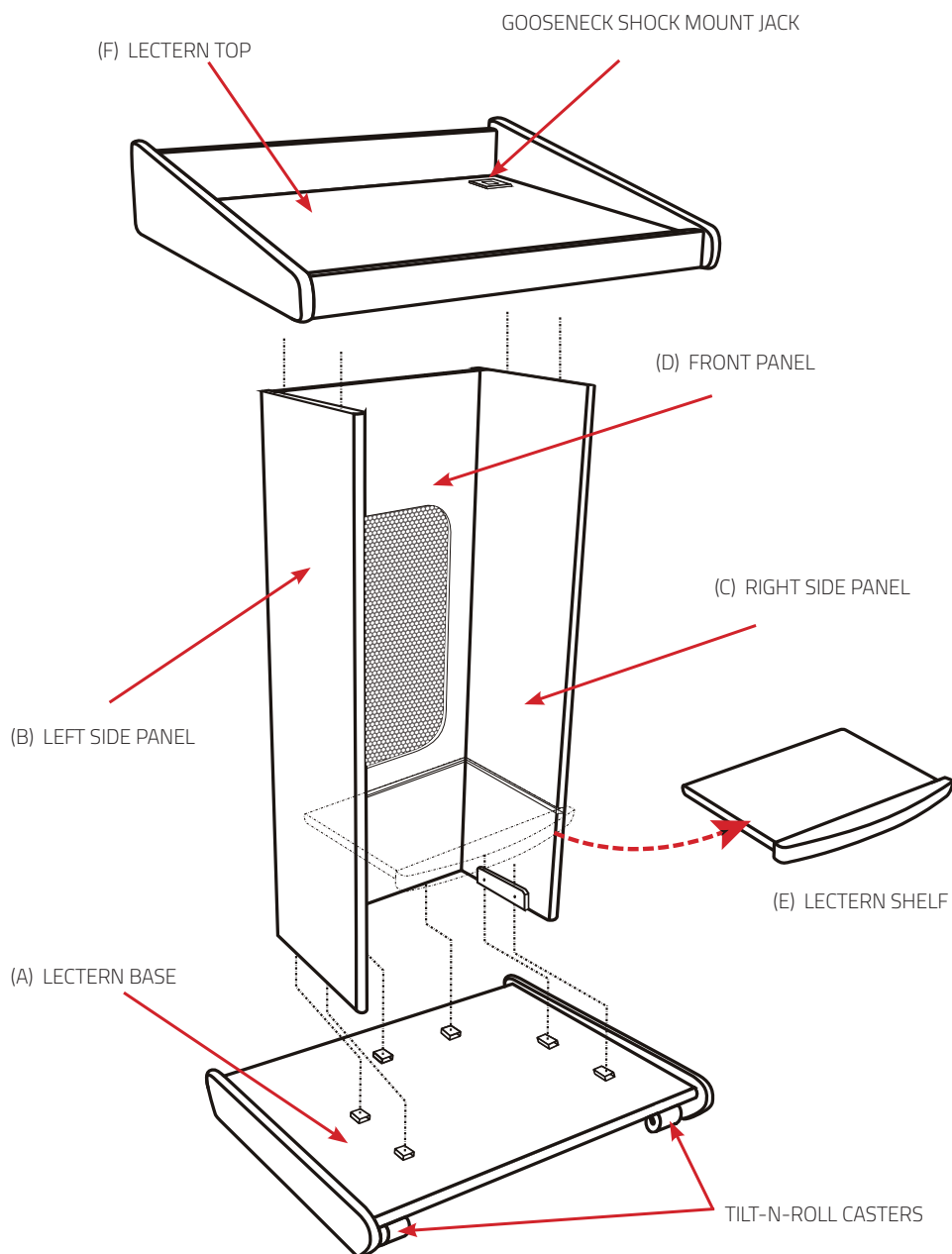
1. Connect an XLR cable to the ADMIRAL's XLR cable (male to female)
2. Connect the other end of the XLR cable to your main audio mixer



ASSEMBLY INSTRUCTIONS

1. Place LECTERN BASE (A) on level ground with wheel side down.
2. Attach LEFT (B) and RIGHT (C) SIDE PANELS to BASE using two (2) screws per panel
3. Fit FRONT PANEL (D) into place and screw in LECTERN BASE
4. Insert SHELF (E) as shown and secure with three (3) screws
5. Position LECTERN TOP (F) and attach from below with six (6) screws
6. Connect gooseneck microphone firmly in the XLR shock mount input on LECTERN TOP (F)

Note: Do not use a power tool to assemble. Over-tightening the screws may cause wood to fracture.
If installing a sound system, be sure to measure it and place shelf accordingly.



NOTE: Elevate lectern when possible to project sound over listeners in front.

TECHNICAL SPECIFICATIONS

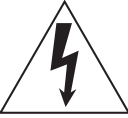
ADMIRAL LECTERN	
FL-7500 - Assembled Dimensions and Weight	
Inputs	Female XLR
Outputs	Male XLR
Total (HWD)	46" x 25" x 20" (117 x 64 x 51 cm)
Console Opening (HWD)	22" x 14.3" x 15" (66 x 36.3 x 38.1 cm)
Weight	75 lbs / 34 Kg
Warranty	2 years
FL-7500 - Shipping Dimensions and Weight	
Total (HWD)	17" x 24" x 39" (43.2 x 61 x 99.1 cm)
Weight	79 lbs / 36 Kg
LM-618 - Gooseneck Microphone	
Mic Element Type	Electret Condenser (requires phantom power)
Polar Pattern	Unidirectional, Cardioid
Frequency Response	500 - 18,000 Hz
Sensitivity	-70 ± 3 dB (0 dB = 1 volt/microbar)
Output Impedance	600 ohms ± 30% @ 1,000 Hz (Balanced)
Operating Voltage	9 to 52 Volts DC Phantom
Maximum SPL	130 dB
Signal-to-Noise Ratio	40 dB @ 1kHz
Connector	3-pin Male XLR
Windscreen	Black Urethane Foam
Dimensions (HW)	25" x 0.5" (58.42 x 2.54 cm)
Weight	6.5 oz (0.18 kg)
Warranty	2 years

IMPORTANT SAFETY INSTRUCTIONS



General Warning or Caution

The Exclamation Symbol in the figure to the left appears in Warning and Caution tables throughout this document. This symbol designates an area where personal injury or damage to the equipment is possible.



Electric Shock

The Electrical Shock Symbol in the figure to the left appears throughout this manual. This symbol indicates a hazard arising from dangerous voltage. Any mishandling could result in irreparable damage to the equipment and personal injury or death.



Protective Conductor Terminal

The Electrical Shock Symbol in the figure to the left appears throughout this manual. This symbol indicates a hazard arising from dangerous voltage. Any mishandling could result in irreparable damage to the equipment and personal injury or death.



European Union CE Mark European Union CE Mark

The presence of the CE Mark on Anchor Audio equipment means that it has been designed, tested, and certified as complying with all applicable European Union (CE) regulations and recommendations.



Alternating Voltage Symbol

The alternating voltage symbol means that the unit can also be used with AC (alternating current) that is in the form of electric power from a wall socket.

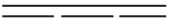


Figure DC Voltage Symbol

Direct Current Symbol

This international symbol implies a Direct voltage or current.



Fuses

The fuse symbol in the figure to the left identifies the fuse location on the Anchor Audio product. (Not required if not user replaceable)



On Symbol

The On Symbol in the figure to the left represents a power switch position on the Anchor Audio product. This symbol represents a Power On condition.



Off Symbol

The Off Symbol in the figure to the left represents a power switch position on the Anchor Audio product. This symbol represents a Power Off condition.



Waste Electrical and Electronic Equipment (WEEE)

This symbol on the product or on its packaging indicates that this product must not be disposed of with regular waste. Instead, it is the user's responsibility to dispose of waste equipment according to the local laws. The separate collection and recycling of the waste equipment at the time of disposal will help to conserve natural resources and ensure that it is recycled in a manner that protects human health and the environment. For information about where the user can drop off the waste equipment for recycling, please contact your local authority for recycling advice.

Inspection for Damage

Anchor Audio products are carefully packaged at the factory to minimize the possibility of damage during shipping. Inspect the box for external signs of damage or mishandling. Inspect the contents for damage. If there is visible damage to the instrument upon receipt, inform the shipping company and Anchor Audio immediately.

	Inspection for Damage
	Do not attempt to operate this equipment if there is evidence of shipping damage or you suspect the unit is damaged. Damaged equipment may present additional hazards to you. Contact Anchor Audio Technical Support for advice before attempting to plug in and operate damaged equipment. Anchor Audio Technical Support: 800.262.4671 x782

Electrical Requirements

Before attempting to power up the unit for the first time, the following precautions must be followed:

	WARNING
	To avoid electric shock, connect the instrument to properly earth-grounded, 3-prong receptacles only. Failure to observe this precaution can result in severe injury.

Have a qualified electrician verify the wall socket that will be used is properly polarized and properly grounded.

Warning: To reduce the risk of fire or electric shock, do not expose this apparatus to rain or moisture, apparatus shall not be exposed to dripping or splashing and no objects filled with liquids, such as vases or cups, shall be placed on the apparatus.

The apparatus should be connected to a main socket outlet with a protective earthing connection. For Nordic markings refer to copy of marking label. The plug in the power cord is the AC mains disconnected device and must remain readily operable.

There should be a minimum distance around the apparatus for sufficient ventilation. The ventilation should not be impeded by covering the ventilation openings with items, such as newspapers, table-cloths, curtains, etc.; no naked flame sources, such as lighted candles, should be placed on the apparatus.

Equipment may be located above or below this apparatus, but some equipment (like large amplifiers) may cause an unacceptable amount of hum or may generate too much heat and degrade the performance of this apparatus.

IMPORTANT SAFETY INSTRUCTIONS (CONT'D)

- 1) Read Instructions – All the safety and operation instructions should be read before the product is operated.
- 2) Retain Instructions – The safety and operating instructions should be retained for future reference.
- 3) Heed Warnings – All warnings on the product and in the operating instructions should be adhered to.
- 4) Follow Instructions – All operating and use instructions should be followed.
- 5) Cleaning – Unplug this product from the wall outlet before cleaning. Do not use liquid cleaners or aerosol cleaners. Use a damp cloth for cleaning.
Exception: A product that is meant for uninterrupted service and that for some specific reason, such as the possibility of the loss of an authorization code for the CATV converter, is not intended to be unplugged by the user for cleaning or any other purpose, may exclude the reference to unplugging the product in the cleaning description (otherwise).
- 6) Attachments – Do not use attachments not recommended by the product manufacturer as they may cause hazards.
- 7) Water and Moisture – Do not use this product near water – for example, near a bath tub, wash bowl, kitchen sink, or laundry tub; in a wet basement; or near a swimming pool; and the like.
- 8) Accessories – Do not place this product on an unstable cart, stand, tripod, bracket, or table. The product may fall, causing serious injury to a child or adult and serious damage to the product. Use only with a cart, stand, tripod, bracket, or table recommended by the manufacturer or sold with the product. Any mounting of the product should follow the manufacturer's instructions and should use a mounting accessory recommended by the manufacturer.
- 9) A product and cart combination should be moved with care. Quick stop, excessive force, and uneven surfaces may cause the product and stand combination to overturn.
- 10) Ventilation – Slots and openings in the cabinet are provided for ventilation to ensure reliable operation of the product and to protect it from overheating. These openings must not be blocked or covered. The openings should never be blocked by placing the product on a bed, sofa, rug, or other similar surface. This product should not be placed in a build-in installation such as a bookcase or rack unless proper ventilation is provided, or the manufacturer's instructions have been adhered to.
- 11) Power Sources – This product should be operated only from the type of power source indicated on the marking label. If you are not sure of the type of power supply to your home, consult your product dealer or local power company. For products intended to operate from battery power or other sources refer to the operating instructions.
- 12) Grounding or Polarization – This product may be equipped with a polarized alternating-current line plug (a plug having one blade wider than the other). This plug will fit into the power outlet only one way. This is a safety feature. If you are unable to insert the plug fully into the outlet, try reversing the plug. If the plug should still fail to fit, contact your electrician to replace your obsolete outlet. Do not defeat the safety purpose of the polarized plug.
- 13) Power-Cord Protection – Power-supply cords should be routed so that they are not likely to be walked on or pinched by items placed upon or against them, paying particular attention to cords at plugs, convenience receptacles, and the point where they exit from the product.
- 14) Protective Attachment Plug – The product is equipped with an attachment plug having overload protection. This is a safety feature. If replacement of the plug is required, be sure the service technician has used a replacement plug specified by the manufacturer that has the same overload protection as the original plug.
- 15) Outdoor Antenna Grounding – If an outside antenna or cable system is connected to the product, be sure the antenna or cable system is grounded so as to provide some protection against voltage surges and built-up static charges. Article 810 of the National Electrical Code, ANSI/NFPA 70, provides information with regard to proper grounding of the mast and supporting structure grounding of the lead in wire to an antenna discharge unit, size of grounding conductors, location of antenna-discharge unit, connection of grounding electrodes, and requirements for the grounding electrode. See Figure A.
- 16) Lightning – For added protection, unplug this product during a lightning storm, or when it is left unattended and unused for long periods of time, unplug it from the wall outlet and disconnect the antenna or cable system. This will prevent damage to the product due to lightning and power-line surges.
- 17) Power Lines – An outside antenna system should not be located in the vicinity of overhead power lines or other electric light or power circuits, or where it can fall into such power lines or circuits. When installing an outside antenna system, extreme care should be taken to keep from touching such power lines or circuits as contact with them might be fatal.
- 18) Overloading – Do not overload wall outlets, extension cords, or integral convenience receptacles as this can result in a risk of fire or electric shock.
- 19) Object and Liquid Entry – Never push objects of any kind into this product through openings as they may touch dangerous voltage points or short-out parts that could result in a fire or electric shock. Never spill liquid of any kind on the product.
- 20) Servicing – Do not attempt to service this product yourself as opening or removing covers may expose you to dangerous voltage, other hazards, and potentially void the warranty. Refer all servicing to qualified service personnel.
- 21) Damage Requiring Service – Unplug this product from the wall outlet and refer servicing to qualified service personnel under the following conditions:
 - a. When the power-supply cord or plug is damaged.
 - b. If liquid has been spilled or objects have fallen into the product.
 - c. If the product has been exposed to rain or water.
 - d. If the product does not operate normally by following the operating instructions. Adjust only those controls that are covered by the operating instructions as an improper adjustment of other controls may result in damage and will often require extensive work by a qualified technician to restore the product to its normal operation.
 - e. If the product has been dropped or damaged in any way.
 - f. When the product exhibits a distinct change in performance – this indicates a need for service.
- 22) Replacement Parts – When replacement parts are required, be sure the service technician has used replacement parts specified by the manufacturer or have the same characteristics as the original part. Unauthorized substitutions may result in fire, electric shock, or other hazards.
- 23) Safety Check – Upon completion of any service or repairs to this product, ask the service technician to perform safety checks to determine that the product is in proper operating condition.
- 24) Wall or Ceiling Mounting – The product should be mounted to a wall or ceiling only as recommended by the manufacturer.
- 25) Heat – The product should be situated away from heat sources such as radiators, heat registers, stoves, or other products (including amplifiers) that produce heat.
- 26) **Warning:** Battery pack or batteries installed shall not be exposed to excessive heat such as sunshine, fire, or the like.

ANCHOR AUDIO WARRANTY

Anchor Audio products are warranted to be free from defects in materials and workmanship for the period of **SIX (6) YEARS** from the date of original purchase unless listed below.

Warranted for a period of **TWO (2) YEARS**:

- All wired and wireless microphones, belt pack transmitters, base station transmitters, base station receivers, and hands-free microphones
- All woodworking
- CouncilMAN microphones and bases
- PortaCom and ProLink 500 systems in their entirety
- Assistive Listening systems in their entirety
- Accessories, cables, cases, and covers

NOTE: The 'AA' batteries are not covered under warranty by Anchor Audio.

Warranties are subject to the following conditions:

- Product must have been purchased from an authorized Anchor Audio Dealer and have an Anchor Audio serial number
- Anchor Audio must perform or authorize all warranty services or warranty is void
- Warranty is void when equipment is subjected to negligent use, connected to improper power sources, misuse, and/or operation beyond specifications and limits
- Warranty shall not apply to exterior finish, AC power cords, bulbs, or any other failings due to normal wear
- Warranty is void when equipment is subjected to adverse temperature, humidity, moisture, or any condition not considered normal environmental conditions
- Products out of warranty cannot be repaired by Anchor Audio

ANCHOR AUDIO RETURN AUTHORIZATION PROCEDURES

- In all cases, dealers and end users must first obtain approval from Anchor Audio for any product they are attempting to return to Anchor Audio. Upon approval, a Return Merchandise Authorization (RMA) number will be issued by the Anchor Audio Customer Service Department and must accompany all products returned. Clearly note the RMA number on the outside of the box.
- Products returned without approval and an RMA number may be returned to the sender.
- The RMA expires 30 days from date of issue. Any product received after 30 days of the RMA issue date will be returned to sender.
- Products returned must include a RMA number. Product received without an RMA number visibly seen on the box will incur a \$25 processing fee.
- Customer will incur the cost of shipping product to Anchor Audio for any reason. Under warranty repair and/or replacement, Anchor Audio will incur the freight cost to return product to the dealer or customer within the continental U.S.A.

CONTACT US!

5931 Darwin Court | Carlsbad, CA 92008 USA | anchoraudio.com



Technical Support Team

800.262.4671 x782

techsupport@anchoraudio.com

Sales Team

800.262.4671 x772

sales@anchoraudio.com