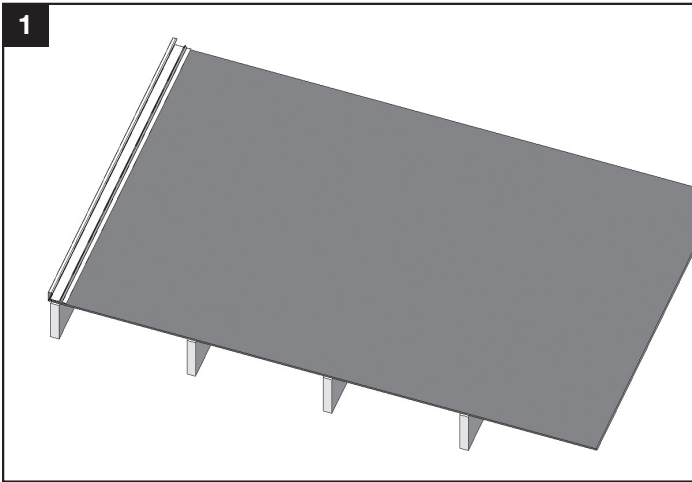
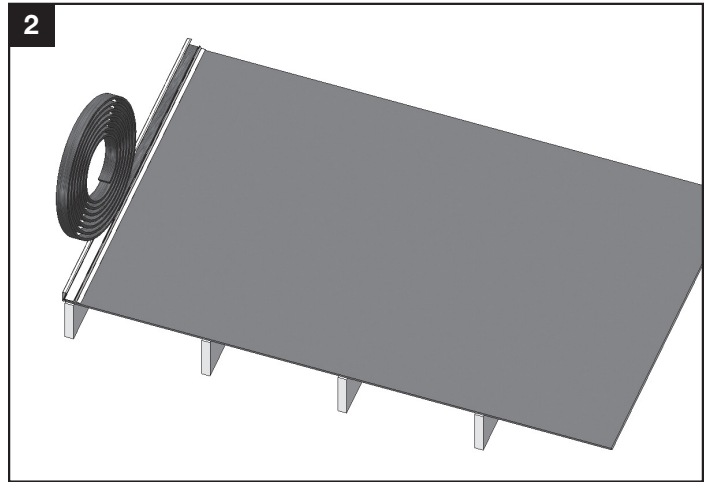


Debris Guard

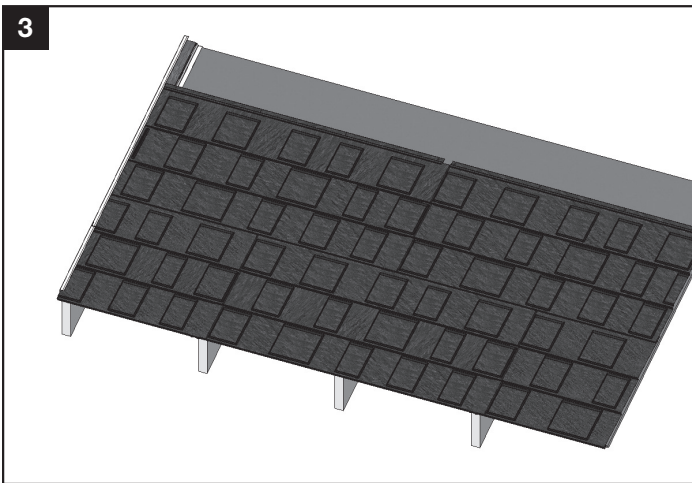
Rake



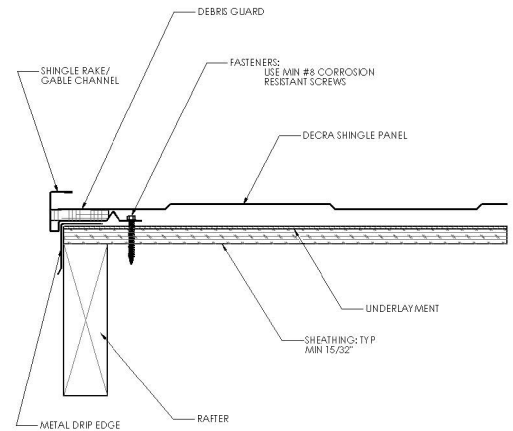
1 Install Rake/Gable Channel according to Install Guide.



2 Roll Debris Guard into Rake/Gable Channel. Remove the white paper while unrolling to expose the adhesive dots.



3 Install Shingle Panels.

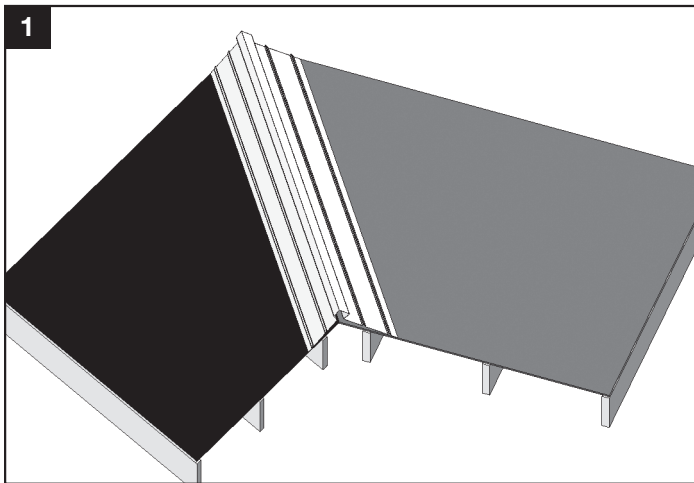


Safety

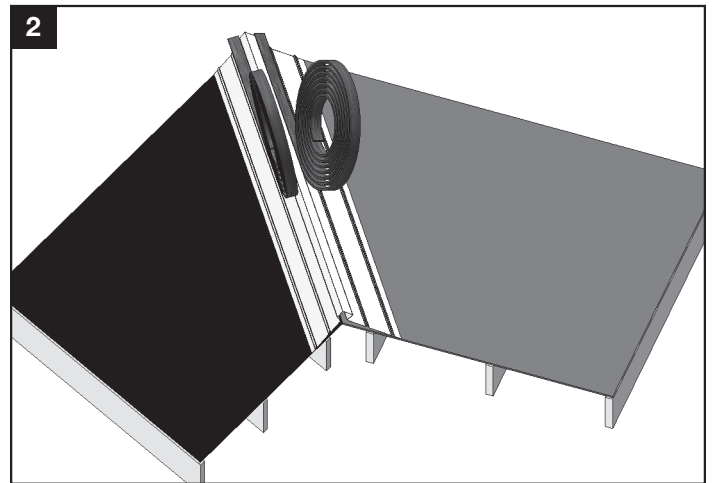
Adhere to recommended safe roofing practices. Wear appropriate clothing and use safety equipment such as protective eyewear and cut resistant gloves.

Debris Guard

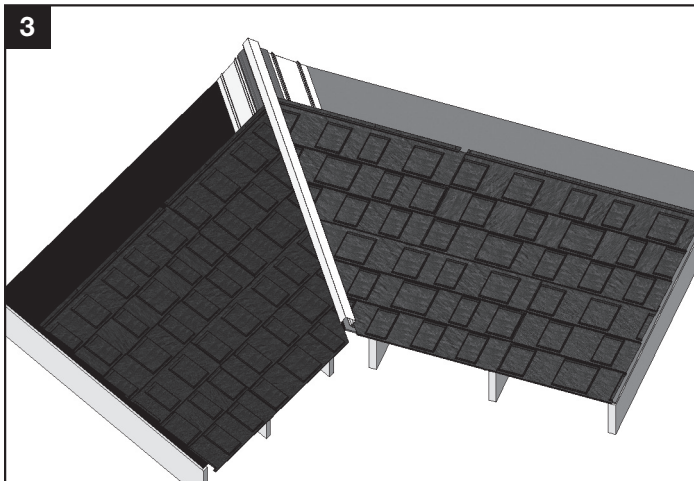
Valley



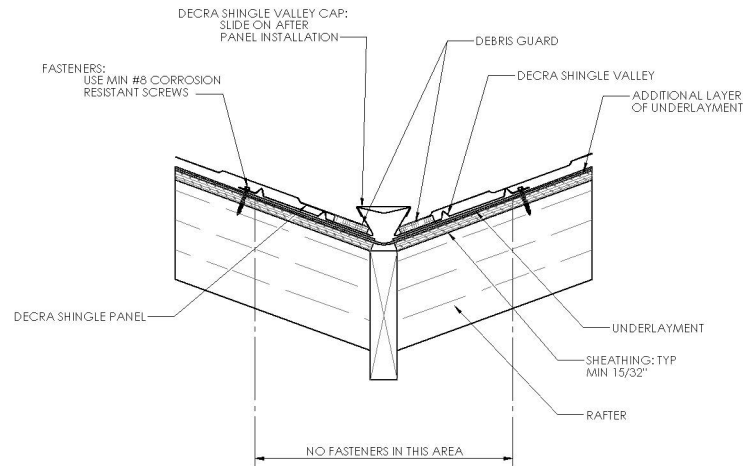
1 Install Debris Guard Valley according to Install Guide.



2 Roll Debris Guard into both sides of Valley. Remove the white paper while unrolling to expose the adhesive dots.



3 Install DECRA panels over the Debris Guard and into the Valley.



Safety

Adhere to recommended safe roofing practices. Wear appropriate clothing and use safety equipment such as protective eyewear and cut resistant gloves.