



## 17-GALLON POLY LOW-PROFILE OIL DRAIN USER'S MANUAL

Part No. JDI-17PLP, Part No. JDI-17FPLP,  
& Part No. JDI-17DPLP

**FOR WARRANTY INFORMATION, PLEASE CALL 800-433-0708**

MODEL NO: \_\_\_\_\_

DATE OF PURCHASE: \_\_\_\_\_

**READ AND SAVE THIS MANUAL**

**FOR SERVICE ASSISTANCE, CALL 800-433-0708 OR VISIT [JOHNDOW.COM](http://JOHNDOW.COM)**



## Important Safety Information

Read this manual and safety information before using this oil drain.

### **!WARNING**

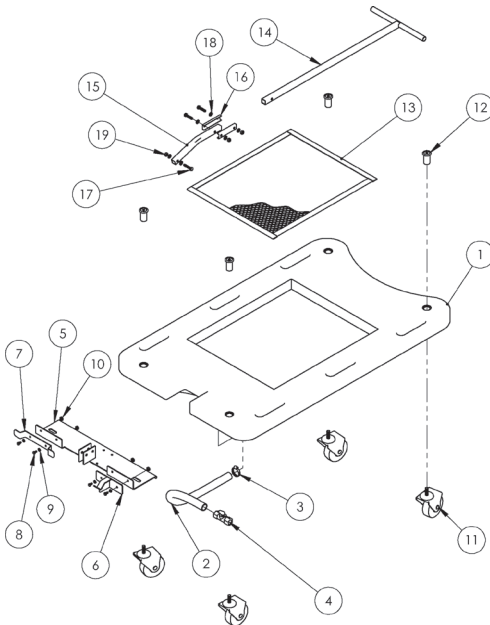
Indicates a hazardous situation which, if not avoided, could result in death or serious injury.

- Do not overfill. Maximum capacity is 17 gallons.
- Do not use for flammable liquids. Monitor the fluid level when filling the drain to prevent overflow or spillage.
- Wear proper personal protection equipment and clothing.
- Keep drain port clear of any debris including grease and dirt.
- Use care when moving a full oil drain to prevent splashing or spillage.
- Periodically inspect the screen for any debris preventing the flow of oil.

## GETTING STARTED

Before assembly, ensure you have all parts according to the components list below. If any parts are missing or damaged, contact us for replacement.

## CONTENTS



Item No.	Description	Qty.
1	17 Gallon Low-Profile Reservoir	1
2	Drain Hose with 3/4" NPT Fitting	1
3	1" Hose Clamp	1
4	3/4" Ball Valve	1
5	Mounting Plate	1
6	Hose Cradle Bracket	1
7	Cord Wrap Bracket	1
8	M6 x 12 Hex Head Cap Screw	4
9	M6 Flat Washer	4
10	M6 Nylon - Insert Locknut	4
11	Caster	4
12	Caster Nut	4
13	Screen Assembly	1
14	Handle - Top	1
15	Handle - Bottom	1
16	Handle - Connector	2
17	M8 x 40 Hex Head Cap Screw	3
18	M8 Flat Washer	6
19	M8 Nylon - Insert Locknut	3

## TOOLS & SUPPLIES NEEDED [Not included]

Flat Head Screwdriver  
13mm Wrenches

M8 Allen Wrench  
Adjustable Wrench

10mm Wrenches

## ASSEMBLY INSTRUCTIONS

1. Assemble 3/4" Ball Valve [4] onto Drain Hose with 3/4" NPT Fitting [2] with Adjustable Wrenches.

\*If you have a JDI-17FPLP, begin with Step 1 on Page 4, then return to Step 2 below.

\*\*If you have a JDI-17PK or JDI-17DPLP, refer to Step 1 on Page 4, then return to Step 2 below.

2. Flip 17 gallon Low-Profile Reservoir [1] over, bottom side facing upwards. Attach assembled hose from Step 1 to drain port using 1" Hose Clamp [3] and Flat Head Screwdriver.
3. Using 10mm Wrenches, Assemble brackets, Mount Hose Cradle Bracket [6] to the right side of the Mounting Plate [5] using two M6 x 12 Hex Head Cap Screws [8], two M6 Flat Washers [9], two M6 Nylon - Insert Locknuts [10]. Repeat process with Corp Wrap Bracket [7] on left side of Mounting Plate.
4. Using an Adjustable Wrench, place completed bracket assembly on reservoir. Assemble two casters [11] through mounting plate using Caster Nuts [12] (Figure 4). Flip reservoir over so it is right side up. Place hose on cradle (Figure 5).
5. Using M8 Allen Wrench, mount rear casters to Reservoir using two Caster Nuts [12].
6. Place Screen Assembly [13] on Reservoir (Figure 6).
7. Using 13mm Wrenches, assemble handle by connecting Handle - Top [14] to Handle - Bottom [15] using Handle - Connectors [16], two M8 x 40 Hex Head Cap Screws [17], four M8 Flat Washers [18], and two M8 Nylon - Insert Locknuts [19] (Figure 7).
8. Using 13mm Wrenches, attach handle to mounting plate with remainder of M8 hardware (Figure 8).

## OPERATION

To fill, ensure the Ball Valve is closed and position the drain under the vehicle and drain fluid into drain.

To empty, position the drain hose over the used fluid container. Open the Ball Valve to empty. When complete, close the Ball Valve.

## FOOT PUMP EMPTYING INSTRUCTIONS (Applies to JDI-17FPLP only)

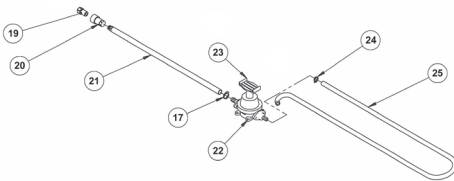
Position the drain hose by the used fluid container and connect the discharge hose to the container. Connect the pump to the drain via quick connect. Press the foot pump pedal until drain is empty. When complete, disconnect the quick connect and store the pump assembly.

## PUMP KIT EMPTYING INSTRUCTIONS (Applies to JDI-17DPLP only)

Position the drain hose by the used fluid container and connect the discharge hose to the container. Plug the electric motor into a 110V outlet to start. When complete, unplug the pump. **DO NOT RUN THE PUMP WHILE THE DRAIN IS EMPTY.**

**IMPORTANT!** Always keep 1/2" Ball Valve on the end of the discharge hose closed until you are ready to empty the tank.

## FOOT PUMP CONTENTS (Applies to JDI-17FPLP only)



Item No.	Description	Qty.
18	25mm ID x 55cm w/ 3/4" NPT Fitting	1
19	3/4" NPT Quick Connect - Male	1
20	3/4" NPT Quick Connect - Female	1
21	25mm ID x 90cm Hose w/ 3/4" NPT Fitting	1
22	Foot Pump	1
23	Foot Pump Pedal	1
24	3/4" Hose Clamp	2
25	3/4" ID 8' Hose w/J-Hook	1

## FOOT PUMP ASSEMBLY (Applies to JDI-17FPLP only)

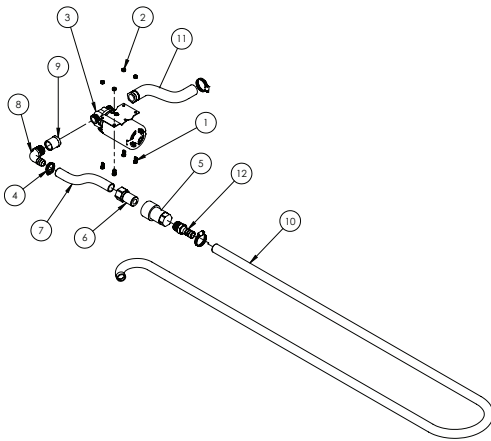
1. Attach 25mm ID x 90cm hose with 3/4" NPT fitting [18] to 3/4" NPT Quick Connect - Female [20]. Tighten with Adjustable Wrenches.
2. Attach this hose to inlet port of Foot Pump [22] using 3/4" Hose Clamp [24] using Flat Head Screwdriver.
3. Attach 3/4" ID 8' Hose with J-Hook [25] to outlet port of foot pump with 3/4" Hose Clamp [24] using Flat Head Screwdriver. Place Foot Pump Pedal [22] on pump.

If the pump kit was purchased with the drain, proceed to Step 7 on Page 2.

## PUMP KIT ASSEMBLY (Applies to JDI-17PK or JDI-17DPLP only)

1. Remove screen and handle from JDI-17PLP. Flip drain over.
2. Remove hose and ball valve. Keep hose clamp.
3. Mount electric pump [3] to bracket, making sure inlet port is facing drain port, using 1/4" hex nuts [2] and 1/4" hex bolts [1] with 7/16" wrenches.
4. Attach 25mm ID x 21cm hose [11] to barb fitting using hose clamp from step 2. Attach hose fitting to pump inlet port, tighten with adjustable wrench.
5. Tighten clamp with flat head screwdriver.
6. Attach 3/4" GHT x 3/4" NPT fitting [9] to pump outlet port. Tighten with adjustable wrench.
7. Attach 90° barb fitting [8], turn until barb is tight and pointing left.
8. Attach 19mm ID x 28cm hose [7] to barb using a hose clamp [4] and flat head screwdriver.
9. Flip drain back over. After bracket assembly, wrap pump cord around cord wrap bracket.
10. Attach 3/4" male quick-connect [6] to hose fitting. Tighten with adjustable wrench.
11. Assemble drain hose [10] to female quick-connect [5] using 3/4" NPT barb fitting [12], hose clamp [4], and flat head screwdriver.
12. Replace screen and handle onto drain.

## CONTENTS (Applies to JDI-17PK or JDI-17DPLP only)



Item No.	Description	Qty.
1	1/4"-20 X 3/4" Hex Bolt	4
2	1/4"-20 Hex Nut	4
3	Electric Pump, 110V	1
4	3/4" Hose Clamp	2
5	3/4" NPT Quick Connect - Female	1
6	3/4" NPT Quick Connect - Male	1
7	19mm ID x 28cm Hose w 3/4" NPT Fitting	1
8	3/4" NPT x 3/4" Barb 90° Fitting	1
9	3/4" GHT-F x 3/4" NPT-F Fitting	1
10	3/4" ID x 8' Hose w/J-Hook	1
11	25mm ID x 21cm Hose w/ 3/4" GHT-F Fitting	11
12	3/4" NPT x 3/4" Barb Fitting	

**IMPORTANT!** Always keep 1/2" ball valve on the end of the discharge hose closed until you ready to empty the tank.