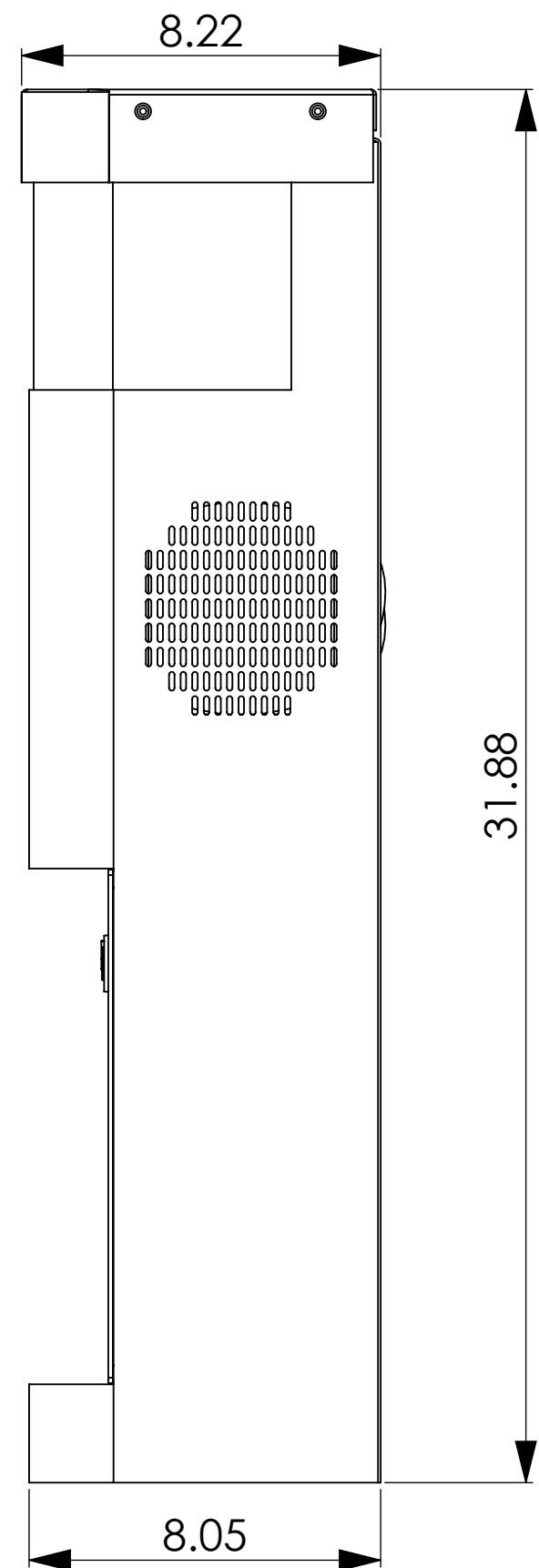
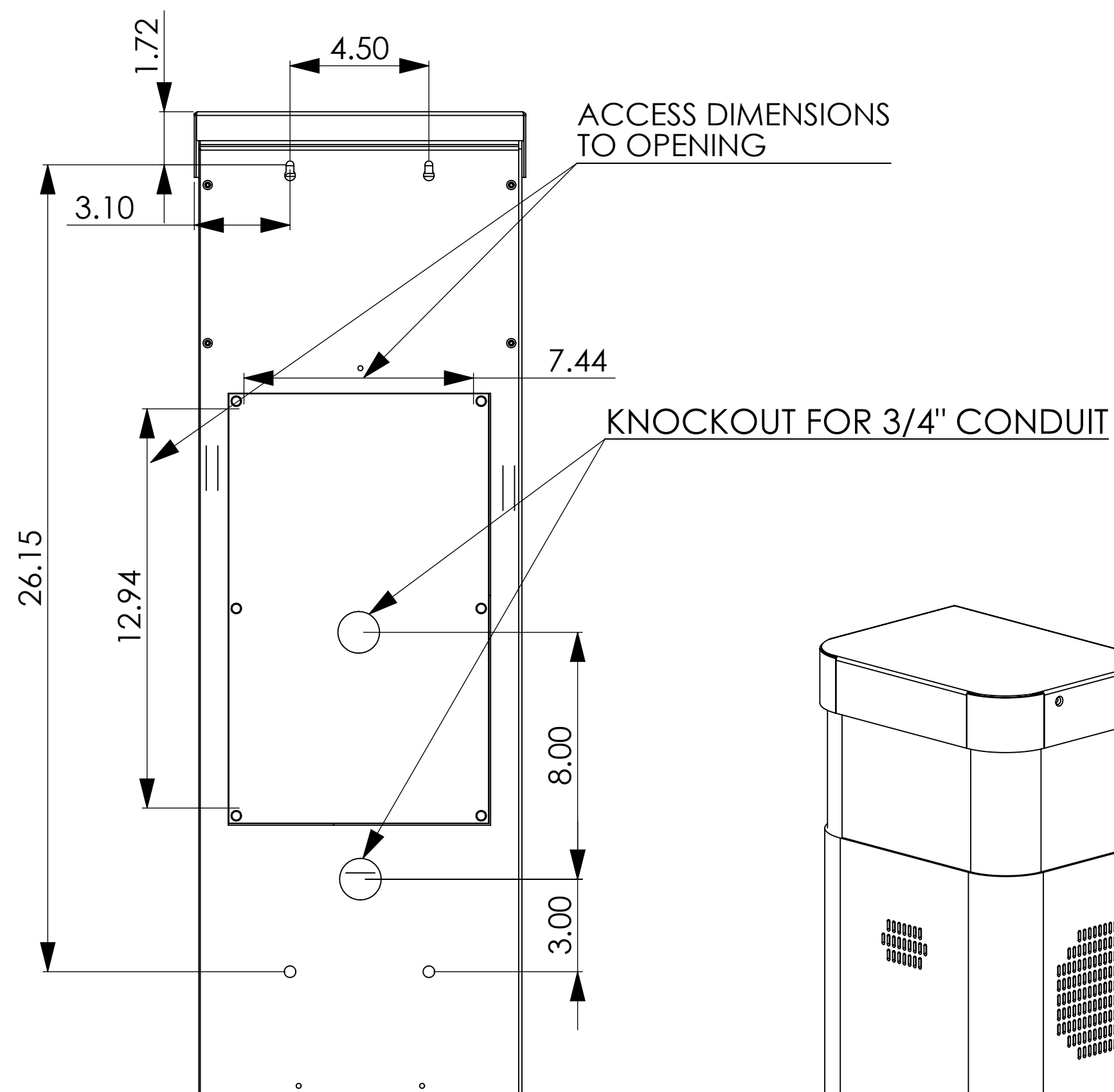


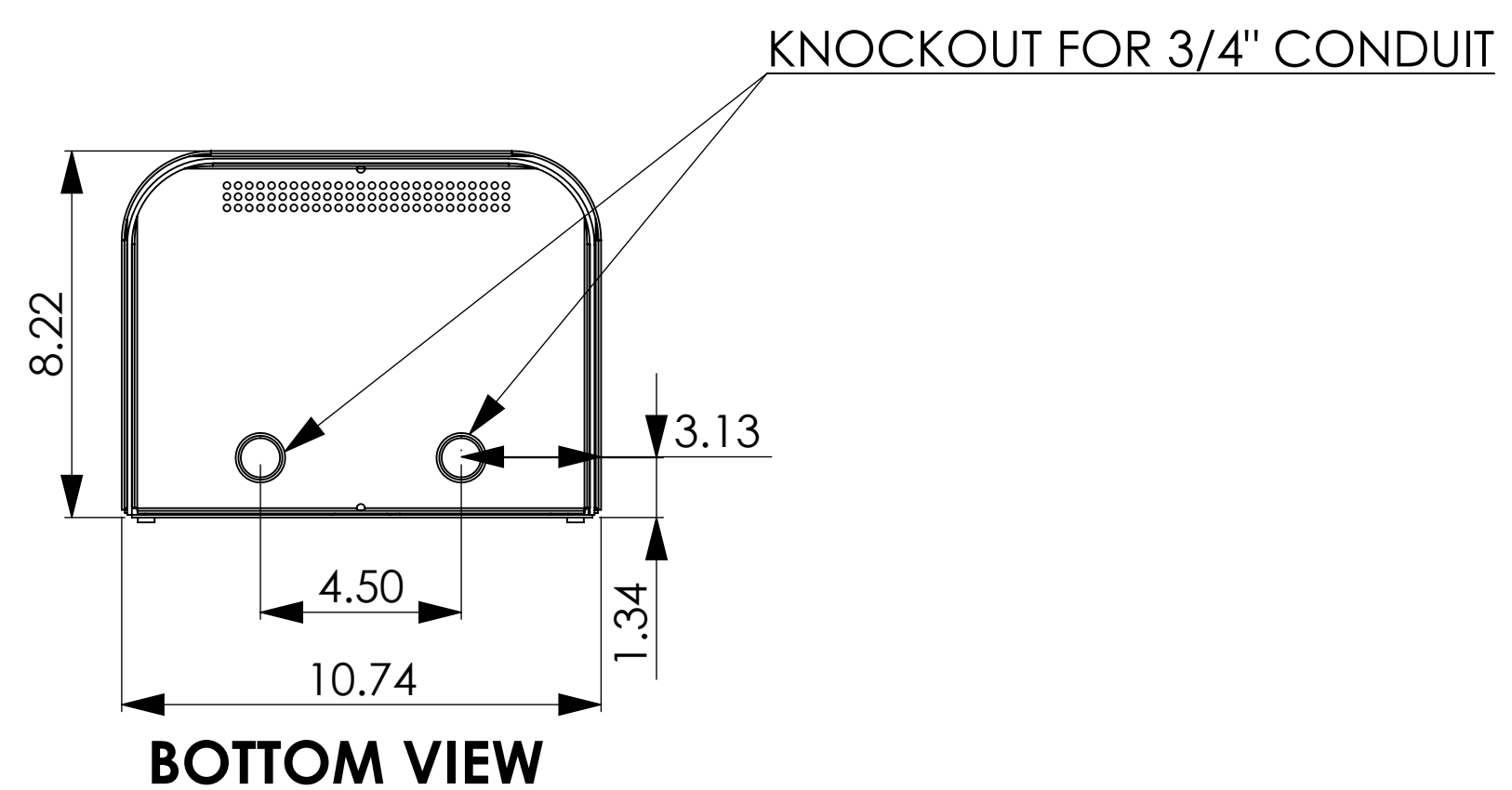
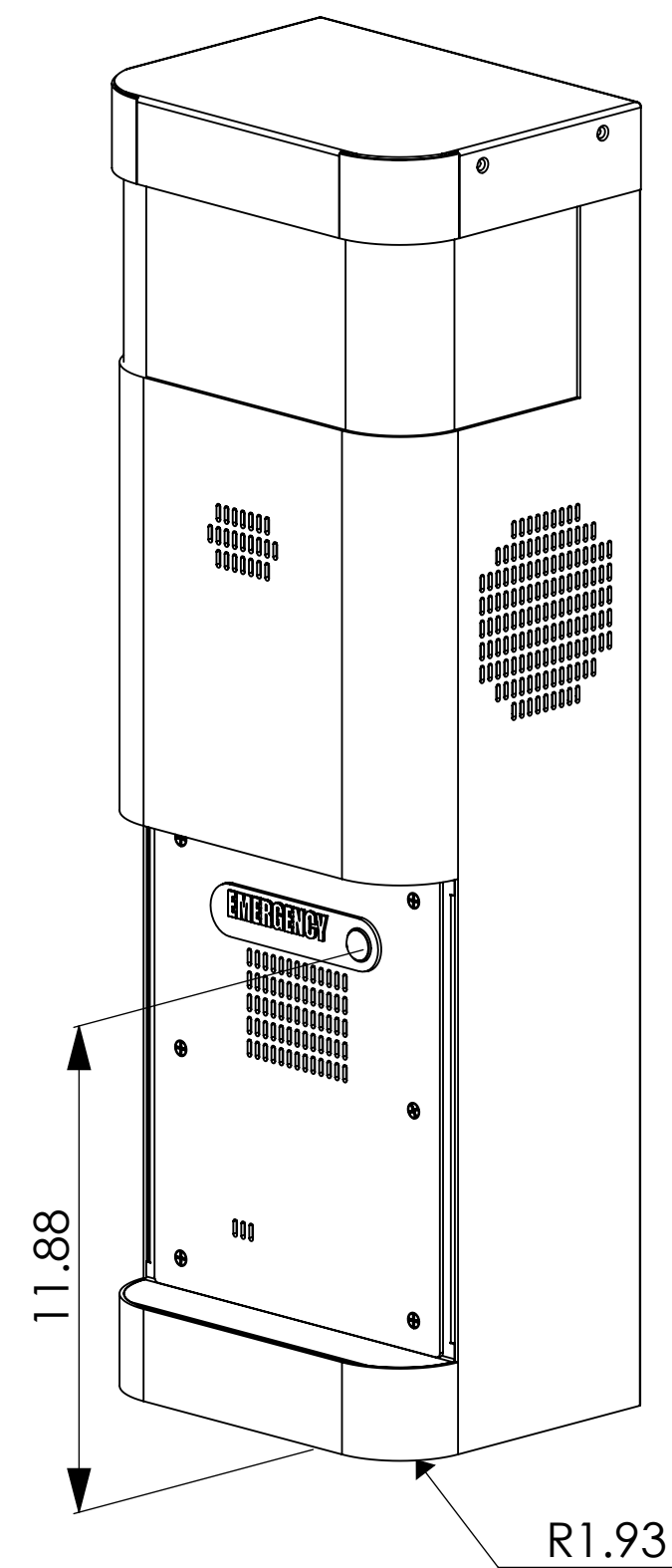
FRONT VIEW



SIDE VIEW



BACK VIEW



PROPRIETARY AND CONFIDENTIAL
THE INFORMATION CONTAINED IN THIS DRAWING IS THE SOLE PROPERTY OF TALK-A-PHONE CO. ANY REPRODUCTION IN PART OR AS A WHOLE WITHOUT THE WRITTEN PERMISSION OF TALK-A-PHONE CO IS PROHIBITED.

UNLESS OTHERWISE SPECIFIED:		NAME	DATE
DIMENSIONS ARE IN INCHES		DRAWN	K.P. 5/2/2008
TOLERANCES:		CHECKED	J.K. 5/2/2008
FRACTIONAL ±		ENG APPR.	
ANGULAR: MACH ± BEND ±		MFG APPR.	
TWO PLACE DECIMAL ±		Q.A.	
THREE PLACE DECIMAL ±		COMMENTS:	
INTERPRET GEOMETRIC TOLERANCING PER:			
MATERIAL			
FINISH			
DO NOT SCALE DRAWING			

TALK A PHONE
Creating Communications Solutions

TALK-A-PHONE CO.
7530 NORTH NATCHEZ AVENUE.
NILES IL 60714-3804.
773.539.1100
TALKAPHONE.COM

SIZE	WEBS-WM	REV
C		0

WEIGHT: SHEET 1 OF 1