



WEBS-MT/R Tower Installation Instructions

I. Introduction

This manual is for tower installation only. For instructions on installing the anchor bolts into the foundation, see the ETP-MT/R Anchor Bolt Installation Instructions.

II. Contents

Before beginning installation, make sure you have all the included components. Each **WEBS-MT/R** tower consists of the following packages. Package #1 contains the **WEBS-MT/R** tower itself. Package #2, labeled **MT/R BOLT KIT** contains the anchor bolt install kit. Package #3, labeled **TOWER PTS**, contains the tower hardware and lighting installation kit. Package #4, labeled **WEBS-MT/R-KIT** contains the WEBS paging kit. Package #5, labeled **WEBS-BACKUP** (sold separately) contains the WEBS power back-up kit. Emergency phones are sold and shipped separately (with mounting screws included).

MT/R BOLT KIT

QTY	Part Number	Description
4	42838	J-Bolts
1	24718	MT/R Aluminum Mounting Template

TOWER PTS

QTY	Part Number	Description
8	42839	3/4"-10 Hex Nut
8	42840	3/4" Washer
3	42841	10-24 x 3/4" Pan Head Tamper-proof Screw
2	42843	6-32 Hex Nut
1	68590	LED Faceplate Light
1	68559	LED Blue Light (12/24VDC)

WEBS-MT/R-KIT

QTY	Part Number	Description
1	WEBS-TERMINAL	Terminal Blocks on DIN rail
1	WEBS-MIC	Local Paging Microphone
1		Lower Mounting Panel
1		Main Upper Mounting Panel
1		Secondary Upper Mounting Panel
1	WEBS-AMP-1	Paging Amplifier (Attached to Main Upper Mounting Panel)
1	WEBS-VCU	WEBS-Volume Control Unit(Attached to Main Upper Mounting Panel)
4	19667	RCA Audio Cable
12	42896	6-32 Hex Nut
1	WEBS-PSU	Power Supply 12VDC (not included if WEBS-BACKUP is used)
6'	19684A	22 AWG twisted pair Orange-Orange/Black
6'	19684E	22 AWG twisted pair Gray-Gray/Black
6'	6303	22 AWG pair with shielded Brown-Green

Copyright 2014 Talk-A-Phone Co. All rights reserved.

Talk-A-Phone Co. • 7530 North Natchez Avenue • Niles, Illinois 60714-3804
 Phone 773.539.1100 • Fax 773.539.1241 • info@talkaphone.com • www.talkaphone.com

All prices and specifications are subject to change without notice.

Talk-A-Phone, Talk-A-Lert, Scream Alert and WEBS are registered trademarks of Talk-A-Phone Co.

Rev. 01/23/2017

WEBS-MT/R Tower Installation Instructions

WEBS-BACKUP (optional)

QTY	Part Number	Description
1	86383	WEBS-UPS
2	68594	12VDC Battery
1	25192	Mounting shelf for battery
4	4247	Screws #8-32 x 0.5"L
18	4248	Hex nut #8-32
18	42767	#10 round hole washer

III. Physical Installation

1. Install one 3/4" nut and one washer on each anchor bolt 2.5"-3.5" above grade to top of washer. This will allow for a **1/2" air gap** between the foundation and the tower which will allow airflow and prevent moisture problems. Verify that the nuts are level (0° pitch).



NOTE: To insure proper grounding of all electrical components, the tower mount should be effectively earth grounded from the grounding stud (located across from the lower access panel) with 6 AWG or better insulated, stranded copper wire to the metallic power service raceway (conduit) or an 8' or longer corrosion-resistant ground spike.

2. After removing the lower access panel of the tower, install the tower onto the bolts with the Emergency Phone opening oriented in the desired direction. Install second set of nuts and washers. Tighten the upper nuts; the bottom set is only for leveling.

WEBS-MT/R Tower Installation Instructions

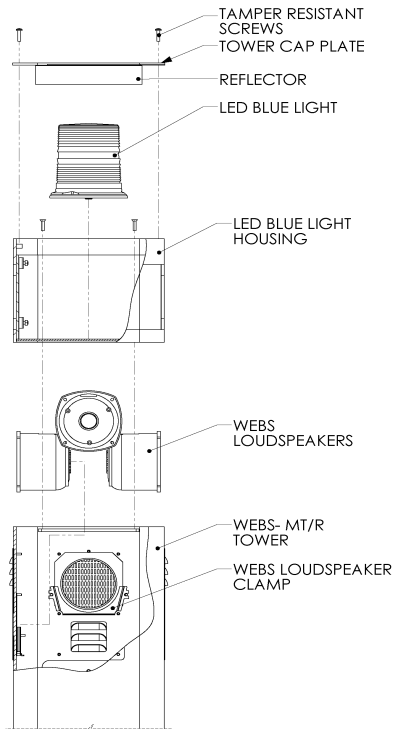


Figure 1. Installing the LED Blue Light.

3. Take off the tower cap plate as shown in **Figure 1**. Install the LED Blue Light to the base of the LED blue light housing. Reattach the tower cap plate.
4. Remove the rear access panel (top) of the tower and mount the paging amplifier vertically aligned (power connection / speaker output side facing up and audio input side facing down) with the help of four (4) #10-32 nuts provided. Also mount the **WEBS-VCU** on to the upper mounting panel of the tower as shown in **Figure 2**, use four (4) #10-32 nuts. Connect the paging amplifier audio input channels to the respective audio outputs on the **WEBS-VCU** via RCA audio cables provided. (e.g. Amplifier audio input channel 1 to **WEBS-VCU** audio output 1).

WEBS-MT/R Tower Installation Instructions

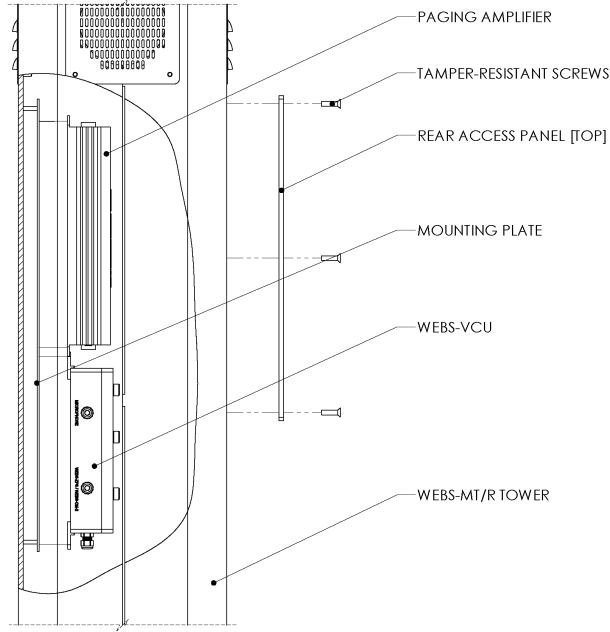


Figure 2. Installing the Paging Amplifier and the WEBS-Volume Control Unit (WEBS-VCU).

5. If using the **WEBS-BACKUP** option, place the mounting shelf on the two L-brackets located in the lower section of the tower. Rest the batteries in the upright position on the shelf. Mount the WEBS-UPS-84-20 on to the mounting panel and secure the assembly in place onto the mounting screws provided.

Connect the DC output end (black and white color cables with gray jacket and fuse one end) to the DIN Rail Terminal Block, terminal no. 23 and 25 as shown in **Table 1**.

Connect the battery input cables (red and black cable with ring terminals on each end) to the terminals of one battery (Red cable to the positive terminal of the battery and black cable to the negative terminal of the battery). Repeat the same procedure for the second battery.

Connect the 120 VAC input cable (cable with three prong connector on end) to a 120VAC power source.

OR

5. Install the lower mounting panel, using the wingnut provided with the tower. Connect the power supply by connecting the Brown lead to Line, Blue lead to neutral and the Green/Yellow lead to ground. Connect the DC output to the DIN Rail Terminal Block, terminals no. 23(yellow) and 25(black) as shown in **Table 1**.

Copyright 2014 Talk-A-Phone Co. All rights reserved.

Talk-A-Phone Co. • 7530 North Natchez Avenue • Niles, Illinois 60714-3804
Phone 773.539.1100 • Fax 773.539.1241 • info@talkaphone.com • www.talkaphone.com

All prices and specifications are subject to change without notice.

Talk-A-Phone, Talk-A-Lert, Scream Alert and WEBS are registered trademarks of Talk-A-Phone Co.

WEBS-MT/R Tower Installation Instructions

Terminal # (Side A)	Connection	Terminal # (Side B)	Connection
1		28	
2		29	
3	Emergency Phone AUX. Output # 2	30	LED Blue Light [Orange]
4	Emergency Phone AUX. Output # 2	31	LED Blue Light [Black]
5	Emergency Phone AUX. Output # 3	32	Auxiliary Device Trigger Wire
6	Emergency Phone AUX. Output # 3	33	Auxiliary Device Trigger Wire
7	Local Paging Microphone — Audio(+) [White]	34	WEBS- VCU [Microphone Input] — Audio(+) [White]
8	Local Paging Microphone — Audio (-) [Green]	35	WEBS- VCU [Microphone Input] — Audio (-) [Green]
19	Local Paging Microphone — 12 VDC Trigger [Red]	36	WEBS-VCU [Microphone Input] — 12 VDC Trigger [Red]
10	Local Paging Microphone — 12 VDC Trigger [Black]	37	WEBS- VCU [Microphone Input] – 12 VDC Trigger [Black]
11	WEBS-CM-2 / VOIP-500 (AUX. Output # 1) OR WEBS-ZPS — 12 VDC Trigger [Grey]	38	WEBS- VCU [WEBS-CM-2 OR WEBS-ZPS Input] — 12 VDC Trigger [Green]
12	WEBS-CM-2 / VOIP-500 (AUX. Output # 1) OR WEBS-ZPS — 12 VDC [Grey/Black]	39	WEBS- VCU [WEBS-CM-2 OR WEBS-ZPS Input] — 12 VDC [White]
13	WEBS-CM-2 / VOIP-500 OR WEBS-ZPS — Audio (+) [Brown]	40	WEBS- VCU [WEBS-CM-2 OR WEBS-ZPS Input] — Audio (+) [Red]
14	WEBS-CM-2 / VOIP-500 OR WEBS-ZPS — Audio (-) [Green]	41	WEBS- VCU [WEBS-CM-2 OR WEBS-ZPS Input] — Audio (-) [Black]
15	WEBS-ZPS — Bare Shield [Yellow]	42	WEBS- VCU [WEBS-CM-2 OR WEBS-ZPS Input] — Bare Shield [Yellow]
16	Not Used	43	WEBS-CM-2 – 12 VDC Power (-) [Black]
17	Not Used	44	Face Plate Light – 12 VDC Power (-) [Black]
18	Not Used	45	LED Blue Light — 12 VDC Power (-) [Black]
19	Not Used	46	Paging Amplifier – 12 VDC Power (-) [Black]
20	Not Used	47	WEBS-VCU / Paging Amplifier Shield
21	Power Supply / Battery — 12 VDC (-) [Black]	48	WEBS-VCU – 12 VDC Power (-) [Black or Green]
22	Connect to GROUND	49	GROUND
23	Power Supply / Battery — 12 VDC (+) [Yellow]	50	WEBS-VCU — 12 VDC Power (+) [Red or Brown]
24	Not Used	51	Paging Amplifier — 12 VDC Power (+) [Red or White]
25	Not Used	52	LED Blue Light — 12 VDC Power (+) [White]
26	Not Used	53	Face Plate Light — 12 VDC Power (+) [Red]
27	Not Used	54	WEBS-CM-2 — 12 VDC Power (+) [Red]

Copyright 2014 Talk-A-Phone Co. All rights reserved.

Talk-A-Phone Co. • 7530 North Natchez Avenue • Niles, Illinois 60714-3804

Phone 773.539.1100 • Fax 773.539.1241 • info@talkaphone.com • www.talkaphone.com

All prices and specifications are subject to change without notice.

Talk-A-Phone, Talk-A-Lert, Scream Alert and WEBS are registered trademarks of Talk-A-Phone Co.

WEBS-MT/R Tower Installation Instructions

Table 1. WEBS-MT/R DIN Rail Terminal Block Connections.

6. Install the LED light board over the phone opening. Slide the LED board over the studs with the LEDs facing down. Tighten down using the enclosed #6-32 nuts. Be careful not to over tighten to avoid cracking the circuit board.
7. Install the DIN rail on the two welds studs behind the phone opening. Install the local paging microphone and mounting bracket inside the microphone compartment as shown in **Figure 3**. Attach the instructional label below (provided) on to the inner surface of the microphone compartment door.



NOTE: The microphone gets activated **two seconds** after depressing the microphone switch.

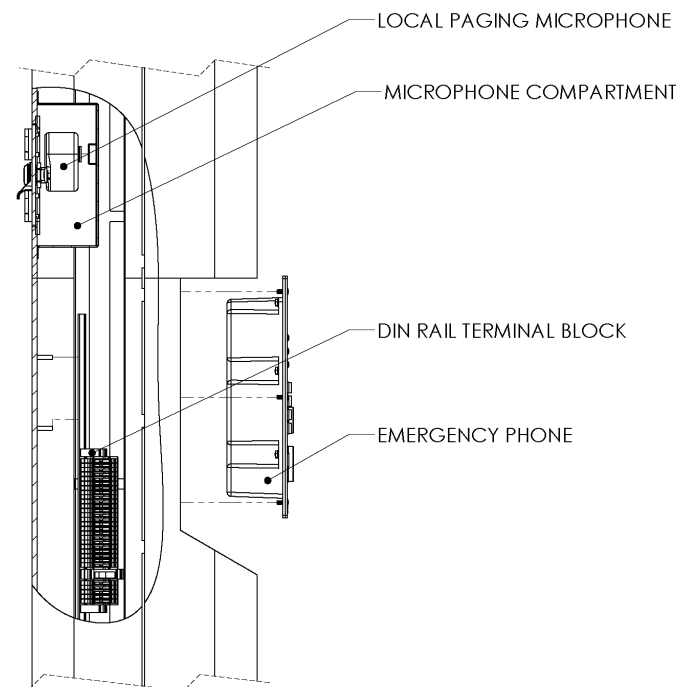


Figure 3. Installing the Local Paging Microphone, DIN Rail Terminal Block and Emergency Phone.

8. Attach the Emergency Phone to the tower with six (6) 10-24 oval head tamperproof screws (included with the phone). When using an ETP-400 Series Emergency Phone connect the phone line coming into the tower to the male RJ11 connector coming from the Emergency Phone. An outdoor rated RJ11 female modular jack on the end of the incoming phone line is strongly recommended.
9. Re-attach the rear access panels to the tower.



NOTE: It is the installer's obligation to ensure compliance with all national, regional, and local regulations. ALL WIRING MUST USE DRIP-LOOPS.

WEBS-MT/R Tower Installation Instructions

IV. Wiring Installation

1. Make all connections to the DIN Rail Terminal Block as shown in **Table 1**.
2. Connect the Paging Amplifier to the WEBS Loudspeakers, DIN Rail Terminal Block and the **WEBS-VCU** as shown in **Figure 4**. Connect the speaker audio cables to their corresponding paging amplifier speaker output cables as follows:

Speaker No.	Amplifier Cable
Speaker #1	White and White/Black
Speaker #2	Grey and Grey/Black
Speaker #3	Green and Green/Black
Speaker #4	Purple and Purple/Black

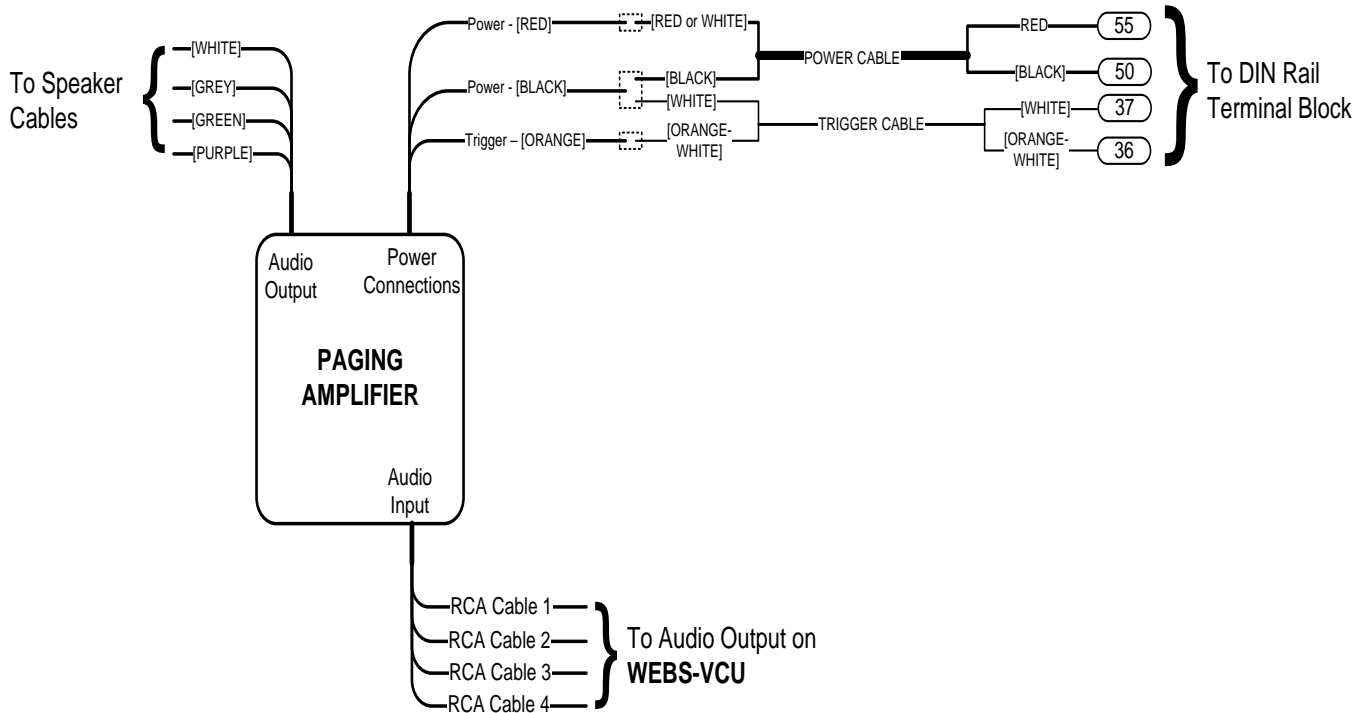


Figure 4. Paging Amplifier, WEBS Loudspeakers, WEBS-VCU and DIN Rail Terminal Block Connectivity Layout

WEBS-MT/R Tower Installation Instructions

- Connect the **WEBS-VCU** and the DIN Rail Terminal Block as shown in **Figure 5**. If using the IP paging module (**WEBS-CM-2** or **VOIP-500 Series** Emergency Phone), connect the respective wires to the WEBS-CM-2 Input port on the WEBS-VCU. If using the analog paging module (**WEBS-ZPS**) connect the respective wires to the WEBS-ZPS Input port on the WEBS-VCU. The unused cable wires should be individually insulated from each other.

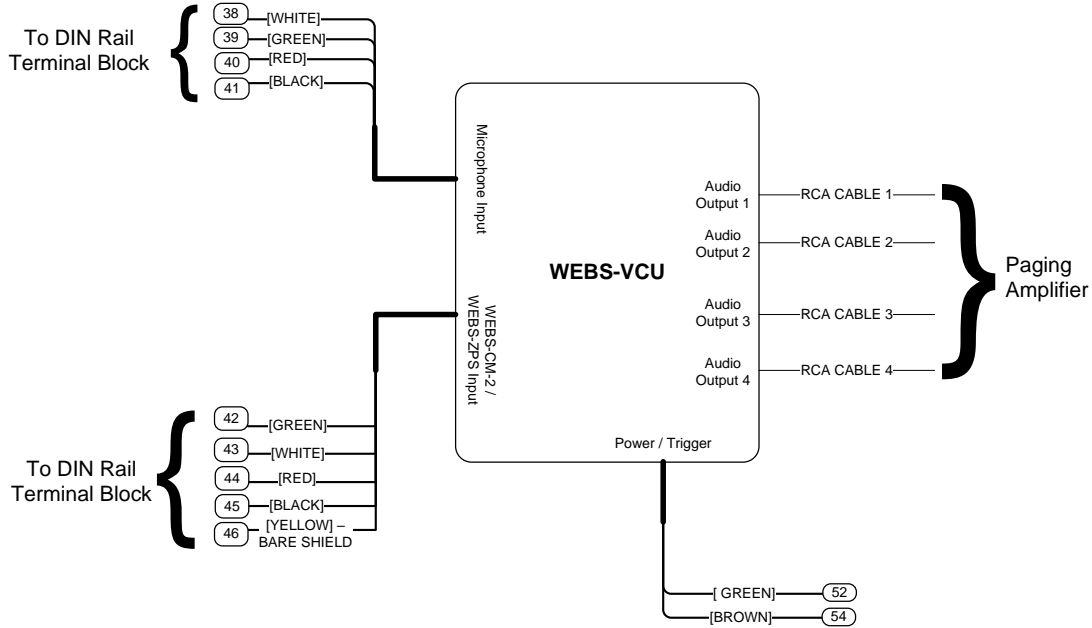
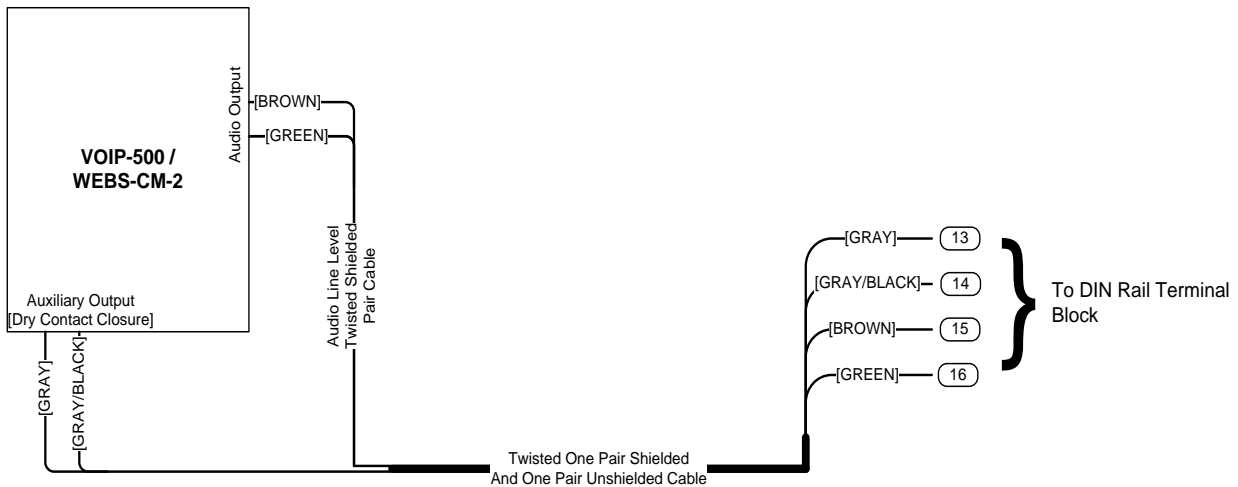


Figure 5. WEBS-VCU, Paging Amplifier and DIN Rail Terminal Block Connectivity Layout

- When using **WEBS-CM-2** or **VOIP-500 Series** Emergency Phone make connections to the DIN Rail Terminal Block as shown in **Figure 6**.



WEBS-MT/R Tower Installation Instructions

Figure 6. VOIP-500 / WEBS-CM-2 and DIN Rail Terminal Block Connectivity Layout

5. When using the **WEBS-ZPS** make connections to the DIN Rail Terminal Block as shown in **Figure 7**.

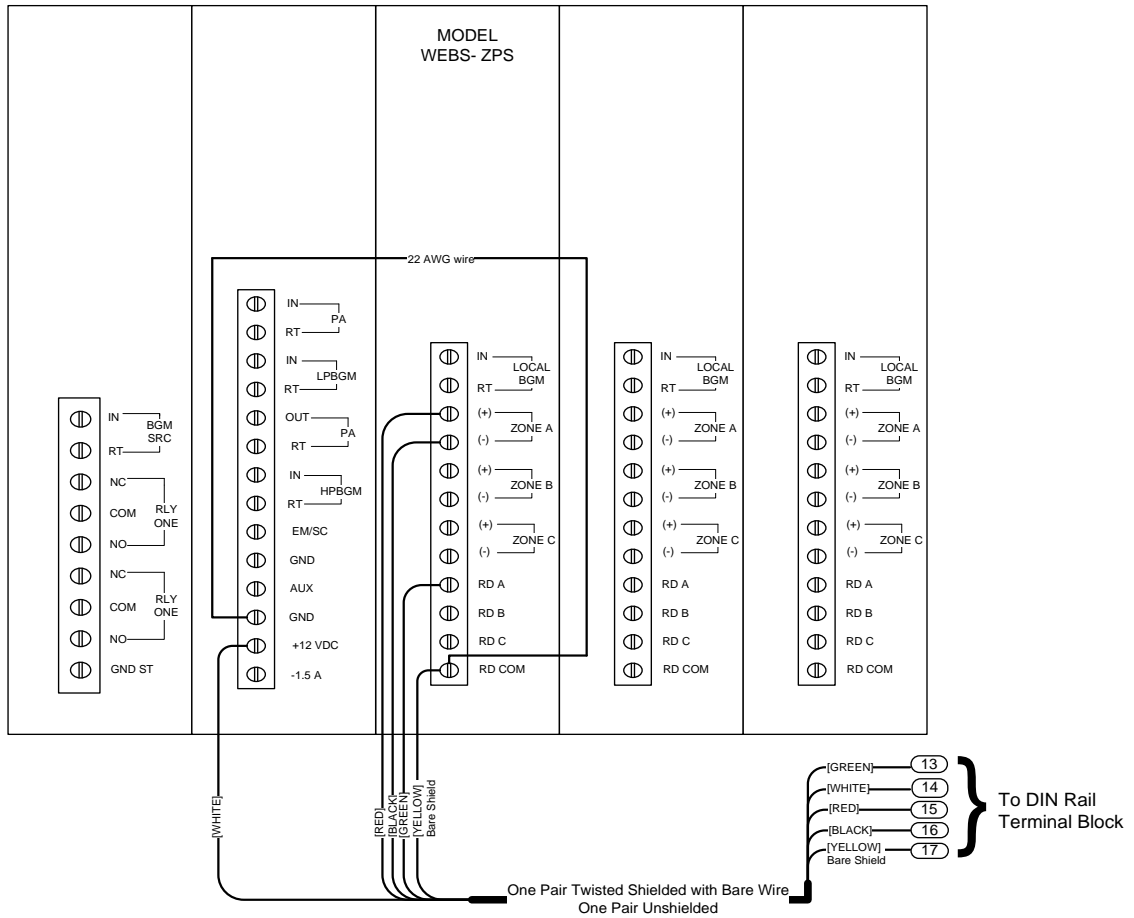


Figure 7. WEBS-ZPS and DIN Rail Terminal Block Connectivity Layout