



TALKAPHONE

# ETP-WMS WALL MOUNT S CALL STATION SERIES



EMERGENCY PHONE MOUNTS



TALKAPHONE'S WALL MOUNT S EMERGENCY CALL UNIT IS AN IDEAL SECURITY SOLUTION FOR REMOTE AND HIGH-RISK AREAS. THE STATION OFFERS CONTEMPORARY ARCHITECTURAL STYLING AND IS CONSTRUCTED OF DURABLE 316 MARINE GRADE STAINLESS STEEL. AN ALWAYS-LIT LED BLUE LIGHT PROVIDES HIGH VISIBILITY AND GIVES PASSERS-BY A SENSE OF SECURITY. USERS CAN CALL EMERGENCY PERSONNEL WITH A SIMPLE PUSH OF A BUTTON.

## FEATURES

- Attention-getting LED Blue Light is included and mounted inside a polycarbonate housing. The LED Blue Light is continuously lit and flashes for duration of a call when "EMERGENCY" button is pressed to draw attention to a unit.
- Emergency Phone faceplate is illuminated at all times by an LED Panel Light
- Vandal-resistant marine grade 316 stainless steel construction
- Designed to resist extreme weather conditions
- A variety of signage, graphics, and color choices are available
- Easily mount any Talkaphone ETP-500 Series, VOIP-500 Series, or VOIP-600 Series Emergency/Information Phone into the unit (sold separately).
- ADA-compliant

## SPECIFICATIONS



<b>Construction:</b>	Brushed marine grade (316) stainless steel with impact- and UV-resistant polycarbonate lens.	
<b>Dimensions (W x H x D):</b>	10 x 32 x 4 in. (253 x 810 x 101 mm)	10 x 32 x 4 in. (253 x 810 x 101 mm)
<b>Weight:</b>	23 lbs. (10.4 kg)	
<b>Colors:</b>	Brushed stainless steel is standard. Available painted in custom colors.	
<b>Lettering:</b>	2 in. high reflective red "EMERGENCY" lettering with wide-angle visibility is standard. Available as "ASSISTANCE", "INFORMATION", or custom lettering, colors and graphics.	
<b>Lighting:</b>	<p>LED Blue Light: 78 flashes per minute, 70% of initial lumens after 50,000 hours of operation.</p> <p>LED Panel Light: Ultra bright LEDs, 50,000 hour lifetime.</p>	<p>LED Blue Light: 78 flashes per minute, 70% of initial lumens after 50,000 hours of operation.</p>
<b>Power:</b>	<p>LED Blue Light: 120VAC, 7.8 Watts, 35A peak inrush</p> <p>LED Panel Light: 1.2 watts, 12-24 VDC/VAC, 120VAC</p>	<p>LED Blue Light: 120VAC, 7.8 Watts, 35A peak inrush</p>
<b>Mounting:</b>	Mounts to a wall or straps to a pole or a kiosk.	
<b>Warranty:</b>	<p>2-year limited warranty for electronics</p> <p>5-year limited warranty for metal components</p>	
<b>Approvals:</b>	<p>            ETL Recognized Component -- Conforms to UL Standards 60950-1 and 60950-22. Certified to CSA Standard C22.2 Nos. 60950-1 and 60950-22.         </p> <p>  </p>	

All specifications are subject to change without notice.

## OPTIONS & ACCESSORIES

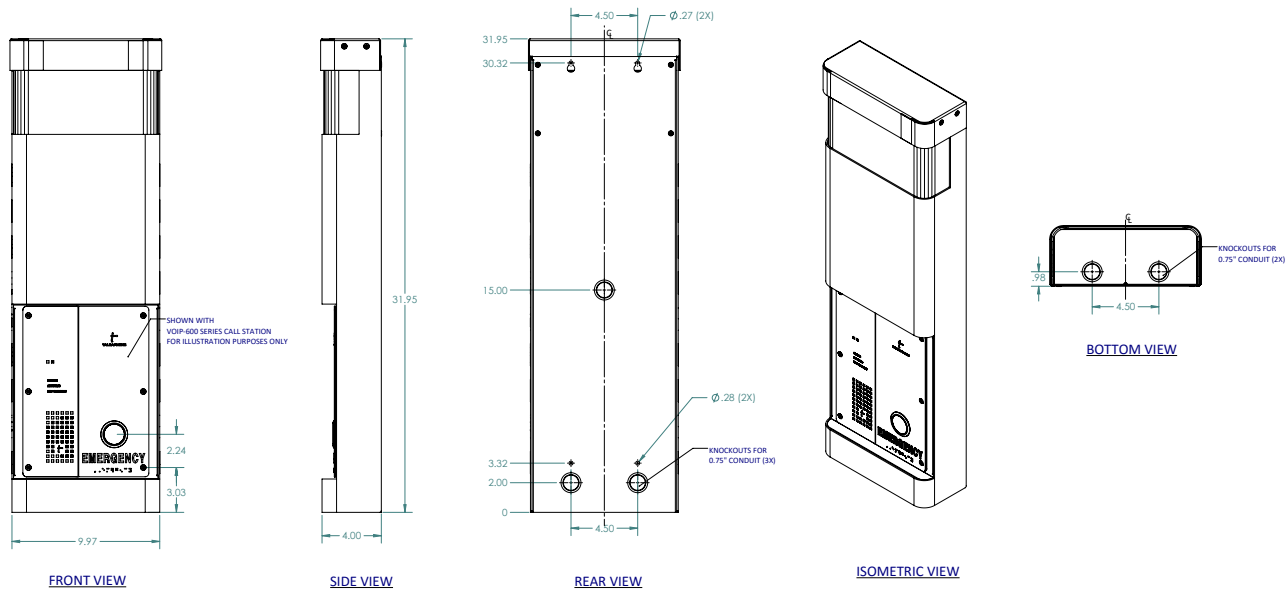
<b>Add to Model:</b>	<b>Description:</b>
-OP2	Includes a housing for mounting your own fixed CCTV camera (standard form factor with maximum camera depth of 3.5 in.) inside the wall mount above the emergency phone faceplate. Inquire for further details
-OP3IP	Includes an AXIS Network Camera inside the wall mount above the emergency phone faceplate.

**Pole Mounting Kit:** Order ETP-PMKT-1 Pole Mounting Kit for strapping ETP-WMS Series or ETP-WMSE Series to a pole.

**Strapping Tool:** Order ETP-PMKT-TOOL Strapping Tool for use with ETP-PMKT-1 Pole Mounting Kit.

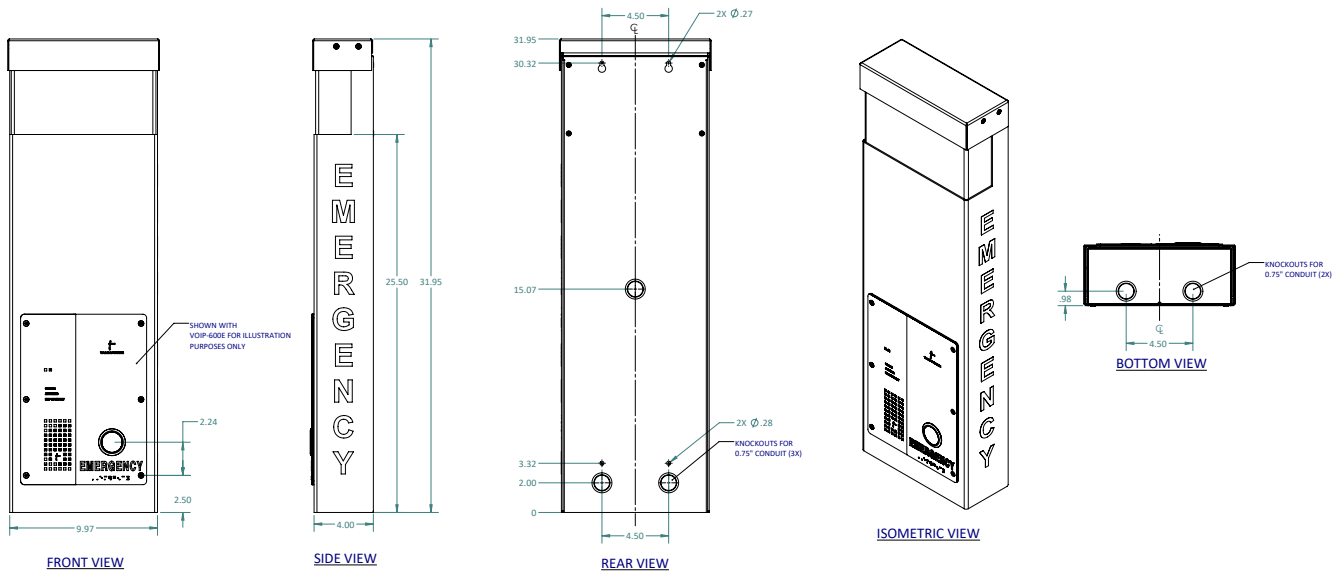
## DIMENSIONAL DRAWING – ETP-WMS

All dimensions are in inches and are provided for reference only.



## DIMENSIONAL DRAWING – ETP-WMSE

All dimensions are in inches and are provided for reference only.



THE LEADERS IN SECURITY AND LIFE SAFETY COMMUNICATIONS

Tel: 773-539-1100  
 Email: [info@talkaphone.com](mailto:info@talkaphone.com)  
 Web: [www.talkaphone.com](http://www.talkaphone.com)

7530 North Natchez Avenue  
 Niles, Illinois 60714

### Terms of Use and Limited Warranty

This Product includes intellectual property and proprietary rights owned by Talk-A-Phone, LLC and/or its licensors. Your use of this Product confirms your agreement that Talk-A-Phone, LLC and/or its licensors retain all right, title and interest in and to all such property; that your rights are to access and use the Product for your internal business use only; that all Product elements will be maintained as confidential; and that the Product may not be rented, leased or lent to third parties, reverse engineered, decompiled or disassembled, or otherwise used for any purpose other than as an access device for your premises.

Talk-A-Phone, LLC warrants Talk-A-Phone Emergency Phone, Call Station, and Wide-Area Emergency Broadcast System equipment against any defects in material and workmanship, under normal use, for a period of twenty-four (24) months from date of installation, provided that Talk-A-Phone receives a completed "Installation Certification" certifying the date on which the system has been installed. An "Installation Certification" card is enclosed with every unit. In the event that no "Installation Certification" is received by Talk-A-Phone, the twenty-four (24) months will commence on the date of shipment by Talk-A-Phone. Warranty period for the metal elements of models in the GP Series Pedestals, MT Series Towers, MTE Series Towers, MT/R Series Towers, PM Series Pedestals, SM Series Surface Mounts, Via Series Mounts, and WM Series Wall Mounts is five (5) years, under the same terms and conditions. Warranty period for Area of Rescue Products is sixty (60) months, under the same terms and conditions. Warranty period for Intercommunication Products is twelve (12) months, under the same terms and conditions. If the Product is found by Talk-A-Phone to be defective within the warranty period, Talk-A-Phone's only obligation, and your exclusive remedy, is for the repair or replacement of any defective parts, provided that the Product is returned to us at 7530 N. Natchez Ave., Niles, IL 60714. Talk-A-Phone shall have no obligation to furnish or pay for the labor of any third parties or bear the expense of shipping defective Products for repair. In no event shall Talk-A-Phone or its licensors or suppliers be liable for any form of exemplary or punitive damages, or any special, indirect or consequential damages. TALK-A-PHONE EXPRESSLY DISCLAIMS ALL OTHER WARRANTIES, WHETHER EXPRESS, IMPLIED OR STATUTORY, INCLUDING BUT NOT LIMITED TO THE IMPLIED WARRANTIES OF MERCHANTABILITY OR FITNESS FOR A PARTICULAR PURPOSE. In no event shall Talk-A-Phone or its licensors or suppliers be liable for any form of exemplary or punitive damages, or any special, indirect or consequential damages. Your use of this Product constitutes your agreement to all of the foregoing terms.

THIS WARRANTY GIVES YOU SPECIFIC LEGAL RIGHTS AND YOU MAY ALSO HAVE OTHER RIGHTS WHICH VARY FROM STATE TO STATE. Further information is available at [talkaphone.com/legal](http://talkaphone.com/legal)

Copyright 2021 Talk-A-Phone, LLC All Rights Reserved - Rev. 2/16/2021