

**ETP-SIGN/LDR  
Deluxe Lighted Sign**

**Description**

Model **ETP-SIGN/LDR** Deluxe Lighted Sign designates a location as an Area of Refuge and aids in locating an emergency phone. The sign features an architectural slim design to fit into any environment.

Attractive and functional, Deluxe Lighted Sign is completely self-contained, includes battery backup in case of power failure, and utilizes reliable, energy efficient LED illumination.

**Features**

- Lighted sign is attractive and attention-getting
- Includes battery backup in case of power failure
- Aids with ADA compliance
- High intensity red LEDs
- Attractive aluminum extrusion design
- High clarity, optically true acrylic panels

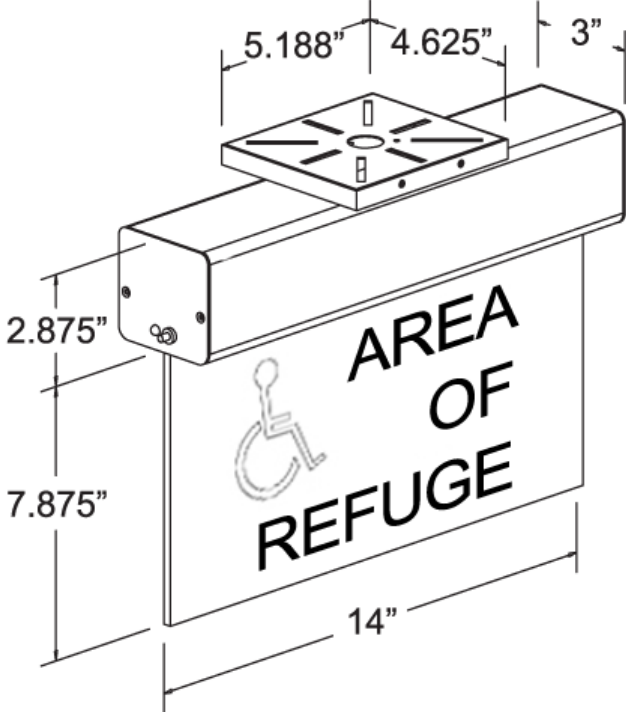


**Specifications**

Dimensions:	14.0 x 10.75 x 3.0 in. (356 x 273 x 76 mm)
Weight:	5.5 lbs. (2.5 kg)
Construction:	Black finish powder coated aluminum housing with high quality optically true acrylic panels
Power:	7.5 watts, 120/277VAC, 60 Hz
Battery:	Maintenance-free lead acid battery provides 90-minute emergency run time with 24-hour recharge time
Protection:	Short circuit, voltage surge, and brown out protection. Low voltage disconnect to eliminate deep discharge.
Mounting:	Mounts to a wall or hangs from a ceiling
Approvals:	UL 924 Listed (90-minute emergency run time, 24-hour recharge time) meets or exceeds NEC and NFPA 101 requirements
Warranty:	2-year limited warranty

**ETP-SIGN/LDR  
Deluxe Lighted Sign**

**Dimensional Diagram**



All dimensions are in inches and are provided for reference only.