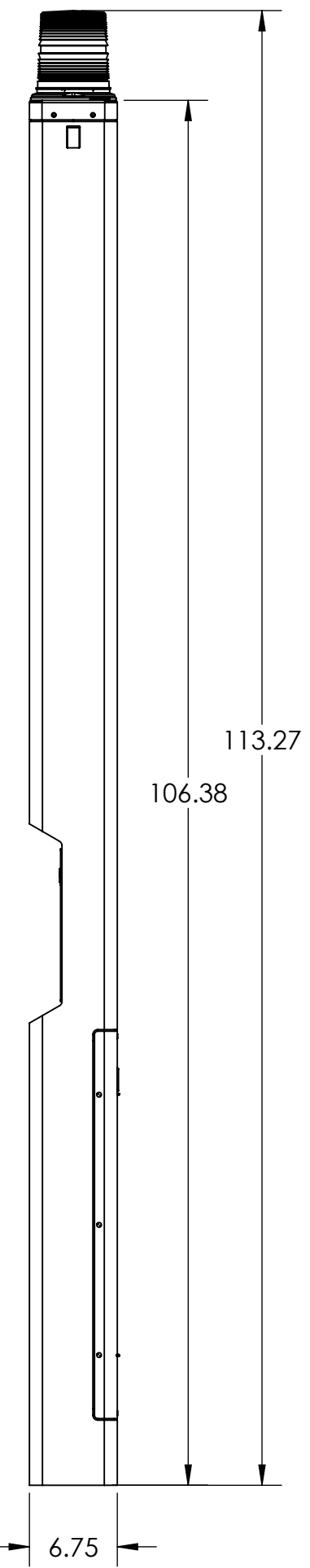
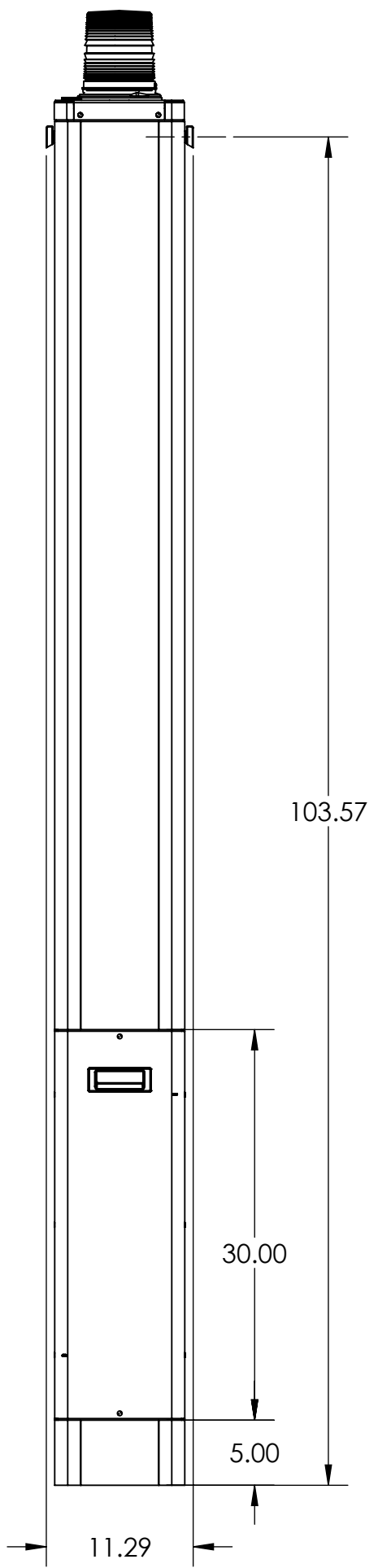


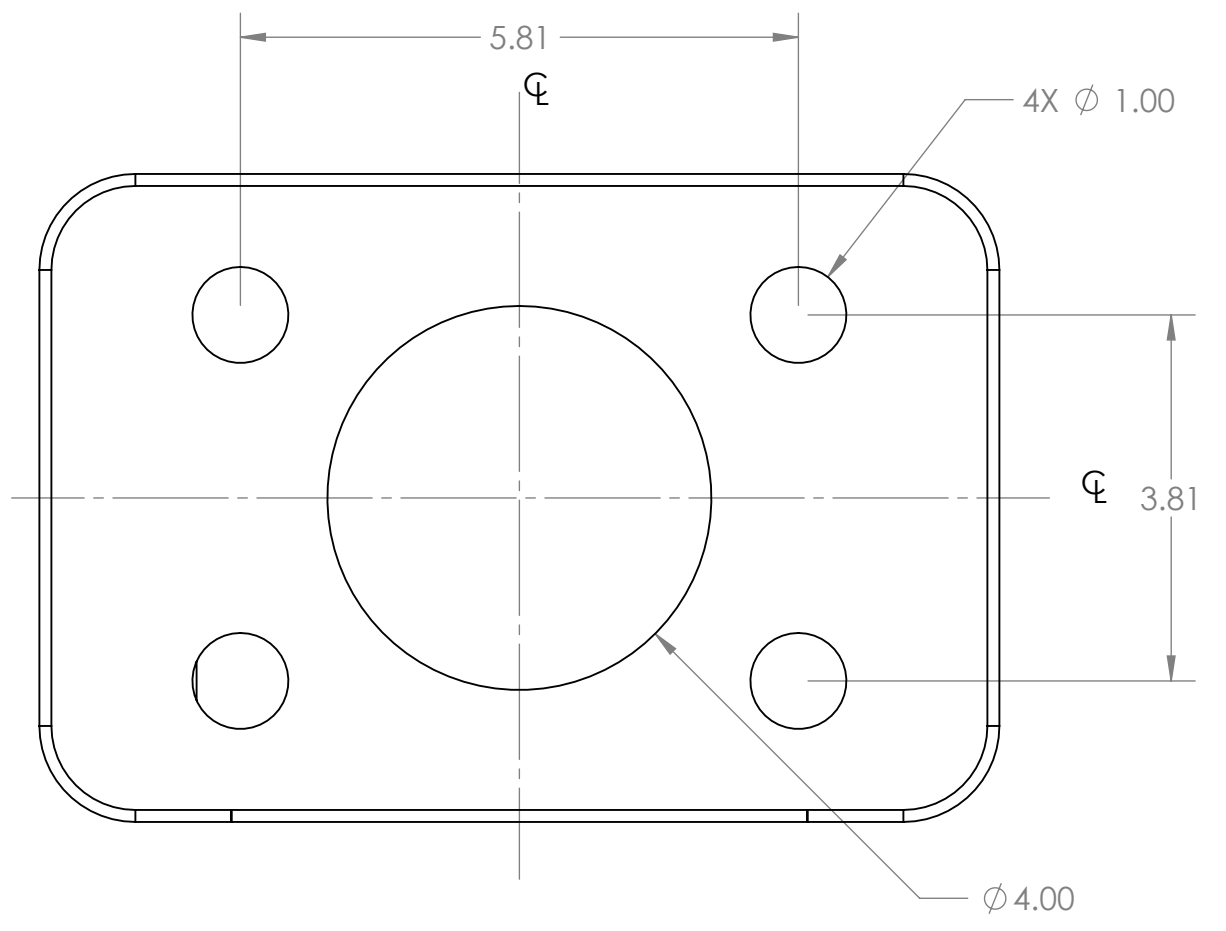
FRONT VIEW



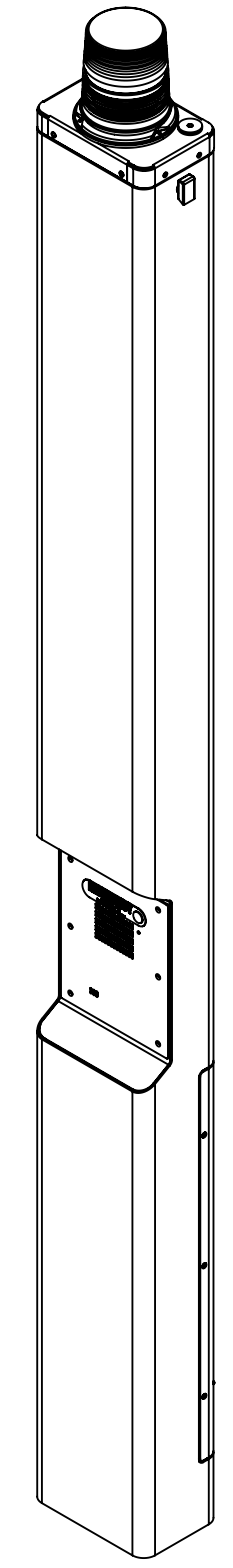
SIDE VIEW



REAR VIEW



FOOT PRINT



ISOMETRIC VIEW

2.0	REDUCED HEIGHT OF CAP ENCLOSURE	01/06/2014	K PATEL
1.0	SALES RELEASE	10/17/2012	K PATEL
0.1	PRELIMINARY RELEASE	09/20/2012	K PATEL
REV.	DESCRIPTION	DATE	APPROVED

REVISIONS		
NAME	DATE	
DRAWN K PATEL	09/20/2012	
CHECKED J KAROL	09/20/2012	
ENG APPR. K PATEL	09/20/2012	
MFG APPR.		
Q.A.		


**TALKAPHONE**  
 TALK-A-PHONE CO.  
 7530 N. NATCHEZ AVE. NILES, IL 60714  
 WWW.TALKAPHONE.COM

**FINISH**  
 PROPRIETARY AND CONFIDENTIAL  
 THE INFORMATION CONTAINED IN THIS DRAWING IS THE SOLE PROPERTY OF TALK-A-PHONE COMPANY. ANY REPRODUCTION IN PART OR AS A WHOLE WITHOUT THE WRITTEN PERMISSION OF TALK-A-PHONE COMPANY IS PROHIBITED.

DWG. NO. \_\_\_\_\_  
 SIZE PART NO. \_\_\_\_\_  
 DWG. TITLE: ETP-MTE-W\_ETP-400  
 SCALE: 1:16 WEIGHT: \_\_\_\_\_  
 REV 2.0  
 SHEET 1 OF 1