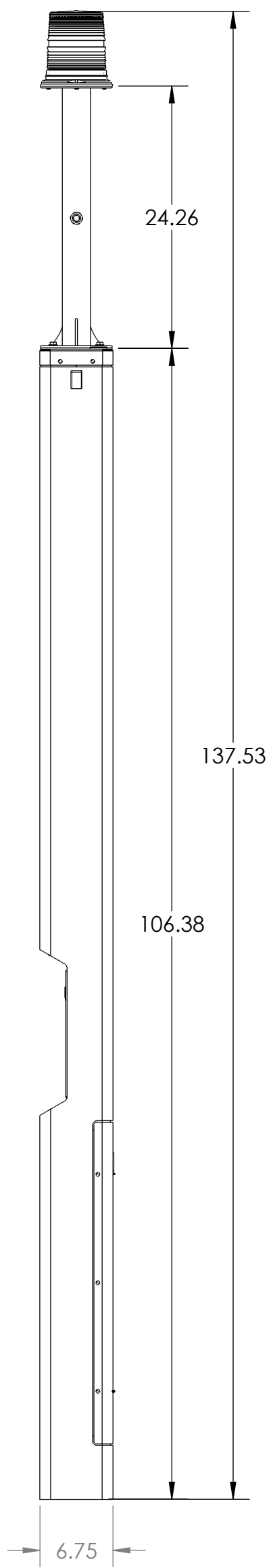
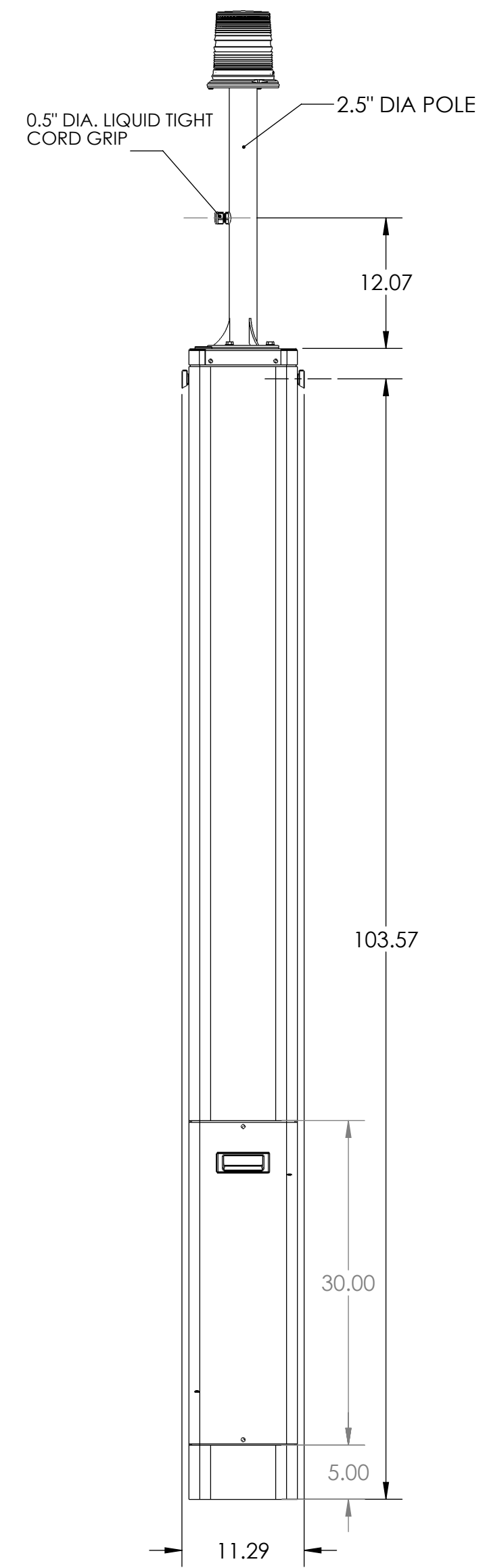


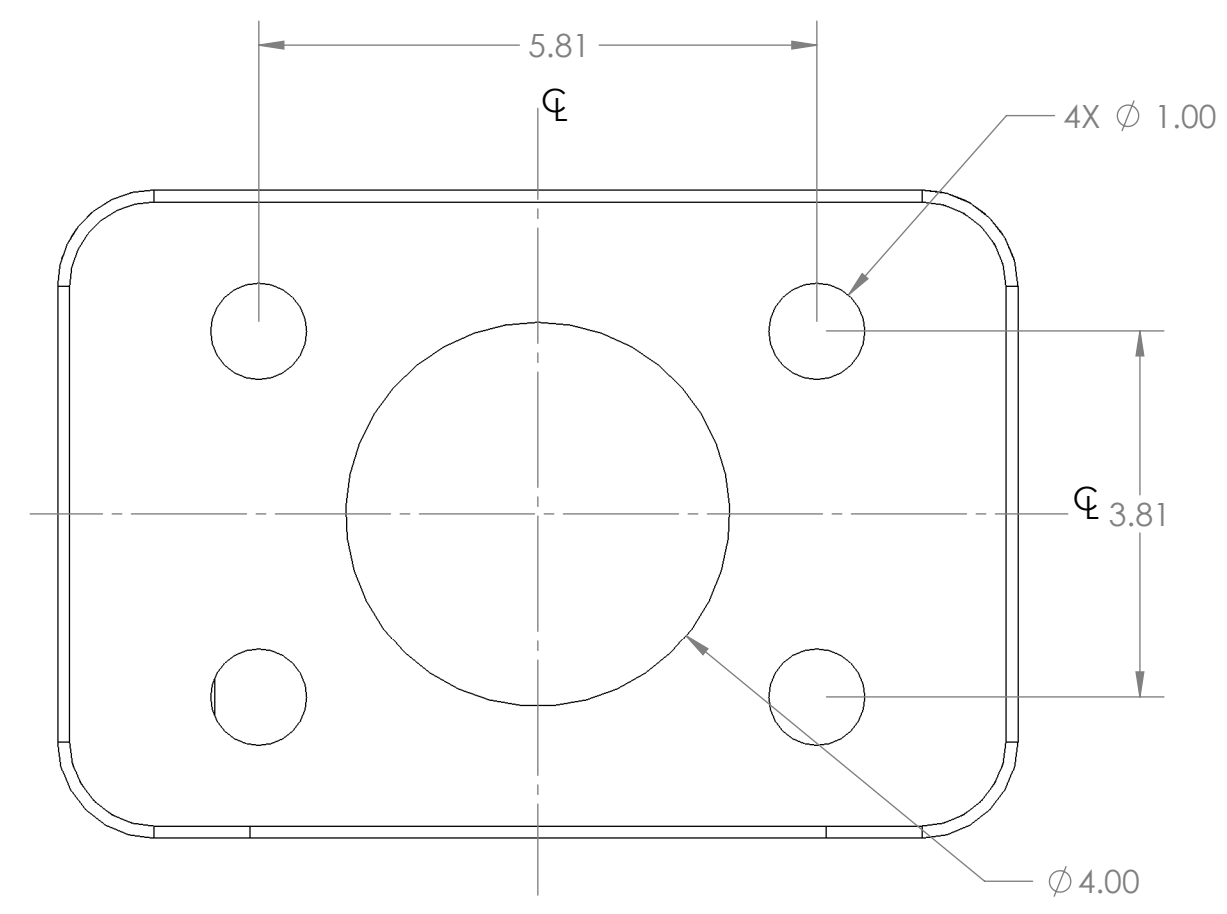
FRONT VIEW



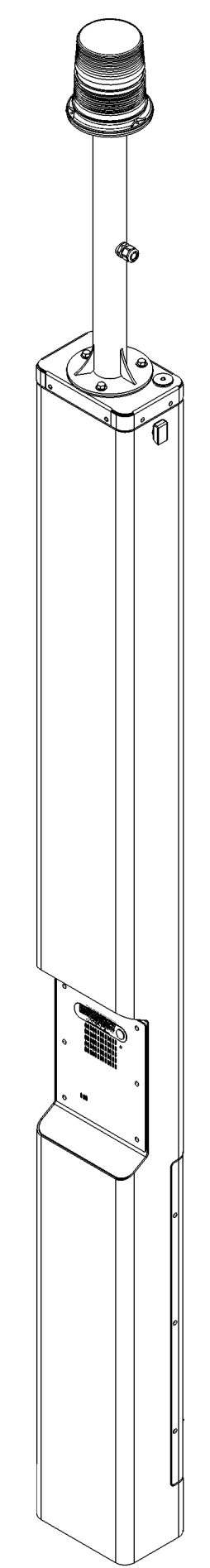
SIDE VIEW



REAR VIEW



FOOT PRINT



ISOMETRIC VIEW

REV.	DESCRIPTION	DATE	APPROVED
2.0	REDUCED THE HEIGHT OF CAP ENCLOSURE	01/06/2013	K PATEL
1.0	SALES RELEASE	10/17/2012	K PATEL
0.1	PRELIMINARY RELEASE	09/20/2012	K PATEL

REVISIONS		
NAME	DATE	
DRAWN K PATEL	09/20/2012	
CHECKED J KAROL	09/20/2012	
ENG APPR. K PATEL	09/20/2012	
MFG APPR.		
Q.A.		

TALKAPHONE
 TALK-A-PHONE CO.
 7530 N. NATCHEZ AVE. NILES, IL 60714
 WWW.TALKAPHONE.COM

FINISH
 PROPRIETARY AND CONFIDENTIAL
 THE INFORMATION CONTAINED IN THIS DRAWING IS THE SOLE PROPERTY OF TALK-A-PHONE COMPANY. ANY REPRODUCTION IN PART OR AS A WHOLE WITHOUT THE WRITTEN PERMISSION OF TALK-A-PHONE COMPANY IS PROHIBITED.

DWG. NO.
 SIZE PART NO. REV
 C DWG. TITLE: ETP-MTE-WP_ETP-400 2.0
 SCALE: 1:16 WEIGHT: SHEET 1 OF 1