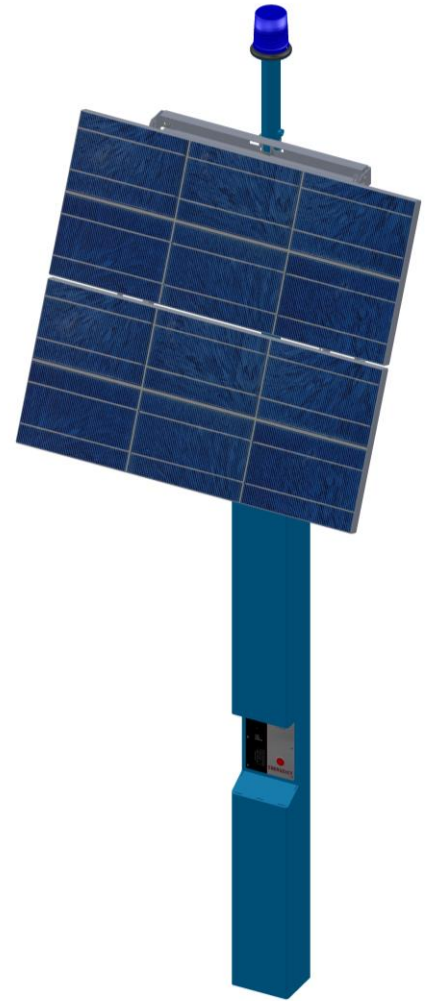


## ETP-MT-SOLAR60 Solar Powered Tower Mount

### Description

Talkaphone's **ETP-MT-SOLAR60** Solar Powered Tower Mount is an ideal security solution for remote and high-risk areas. Standing over nine feet tall, this vandal-resistant tower serves as a great deterrent to crime. An always-lit LED Blue Light mounted atop the tower provides high visibility and gives passers-by a sense of security. Patrons can call emergency personnel with a simple push of a button. At the same time, the LED Blue Light begins to flash, attracting attention to the location. The Call Station faceplate is illuminated at all times for clear visibility during the night.

The **ETP-MT-SOLAR60** is designed to integrate with a cellular or IP-based radio frequency interface to provide a reliable, completely wireless Call Station. They are often used at university and college campuses, parking facilities, shopping malls, medical centers, industrial campuses, transit facilities, and remote locations where local power is not available.



### Features

- Solar systems (i.e. photovoltaic panel(s), charging controller, and batteries) are sold separately. Each solar system is sized according to the geography of the installation location.
- Charging controller, batteries, and other equipment are installed external to the tower mount in a separate trunk mount enclosure (e.g., **Models SLR-160-168-ENC** and **SLR-240-168-ENC**). Contact Talkaphone for more information.
- Attention-getting LED Blue Light is included and mounted atop the unit. The LED Blue Light is continuously lit and flashes for duration of a call in order to draw attention to the location.
- Call Station faceplate is illuminated at all times by an LED Panel Light
- Vandal-resistant structure and coating designed to resist extreme weather conditions
- A variety of signage, graphics, and color choices are available
- ADA-compliant

### Specifications

Dimensions (W x D x H):	10 x 8 x 175 in. (254 x 203 x 4,445 mm)
Weight:	330 lbs. (150 kg) for empty tower (i.e. no electronics)
Construction:	0.25 in. thk. steel
Coating:	High-gloss, multi-layer, corrosion-inhibitive system with resistance to UV-fade and graffiti protection
Colors:	Safety Blue is standard. Available in custom colors.
Signage:	3.25 in. high reflective white "EMERGENCY" lettering with wide-angle visibility is standard. Available in custom colors, lettering, and graphics.
Lighting:	LED Blue Light: 209 lumens peak, 78 flashes per minute, 70% of initial lumens after 50,000 hours of operation
	LED Panel Light: Ultra bright LEDs, 50,000 hour lifetime
Power:	Lighting: 9.0 watts, 12-24VDC
Mounting:	Mounts into concrete foundation using included hardware (shipped in advance). Mounting options available for pre-poured parking decks.
Warranty:	5-year warranty on tower mount (2-year warranty on electronics)

# ETP-MT-SOLAR60 Solar Powered Tower Mount

## Options

Solar System Package:

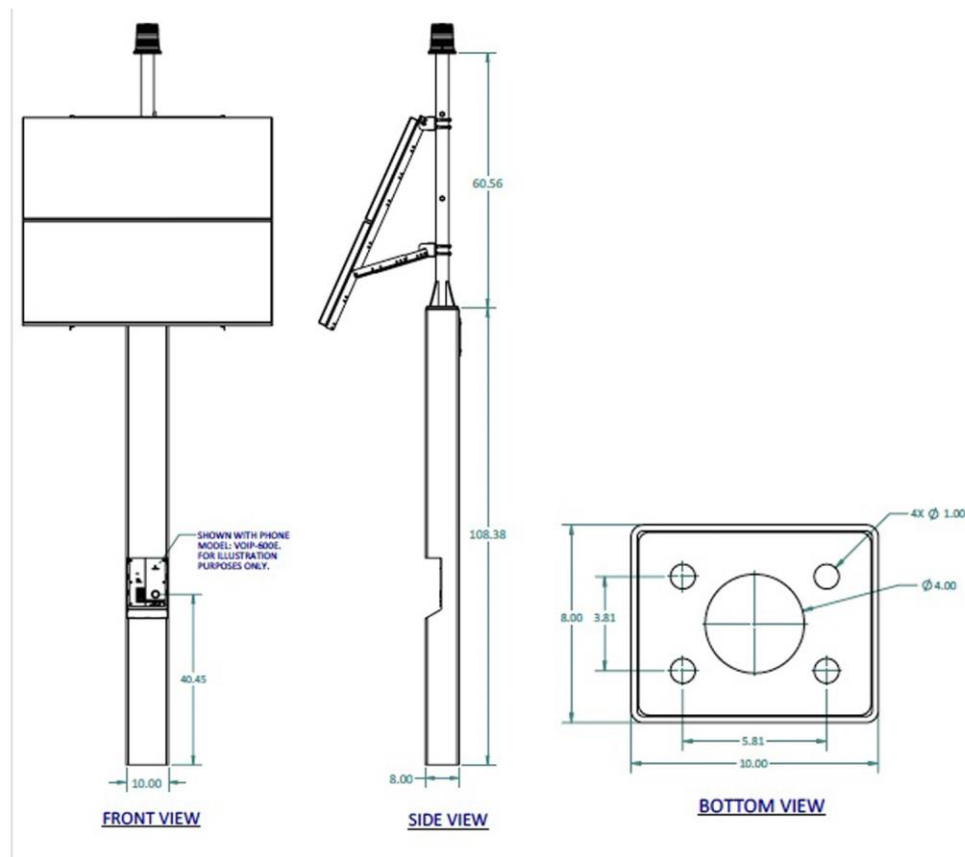
Compatible with model **SLR-160-168-ENC** and **SLR-240-168-ENC**. External trunk mount enclosure required. See the solar system configuration datasheet to include photovoltaic panel(s), charging controller, batteries, and external trunk mount enclosure.

Parking Deck Mounting Kit:

Order model **ETP-PDMK-2** to mount on pre-poured parking deck.

**ETP-MT-SOLAR60** tower mount includes an LED Blue Light, an LED Panel Light, and an Anchor Bolt Kit. An Emergency Phone and a solar system package are purchased separately. For solar package options, see the solar system configuration datasheet or contact Talkphone for more information.

## Dimensional Diagram



All dimensions are in inches and are provided for reference only.