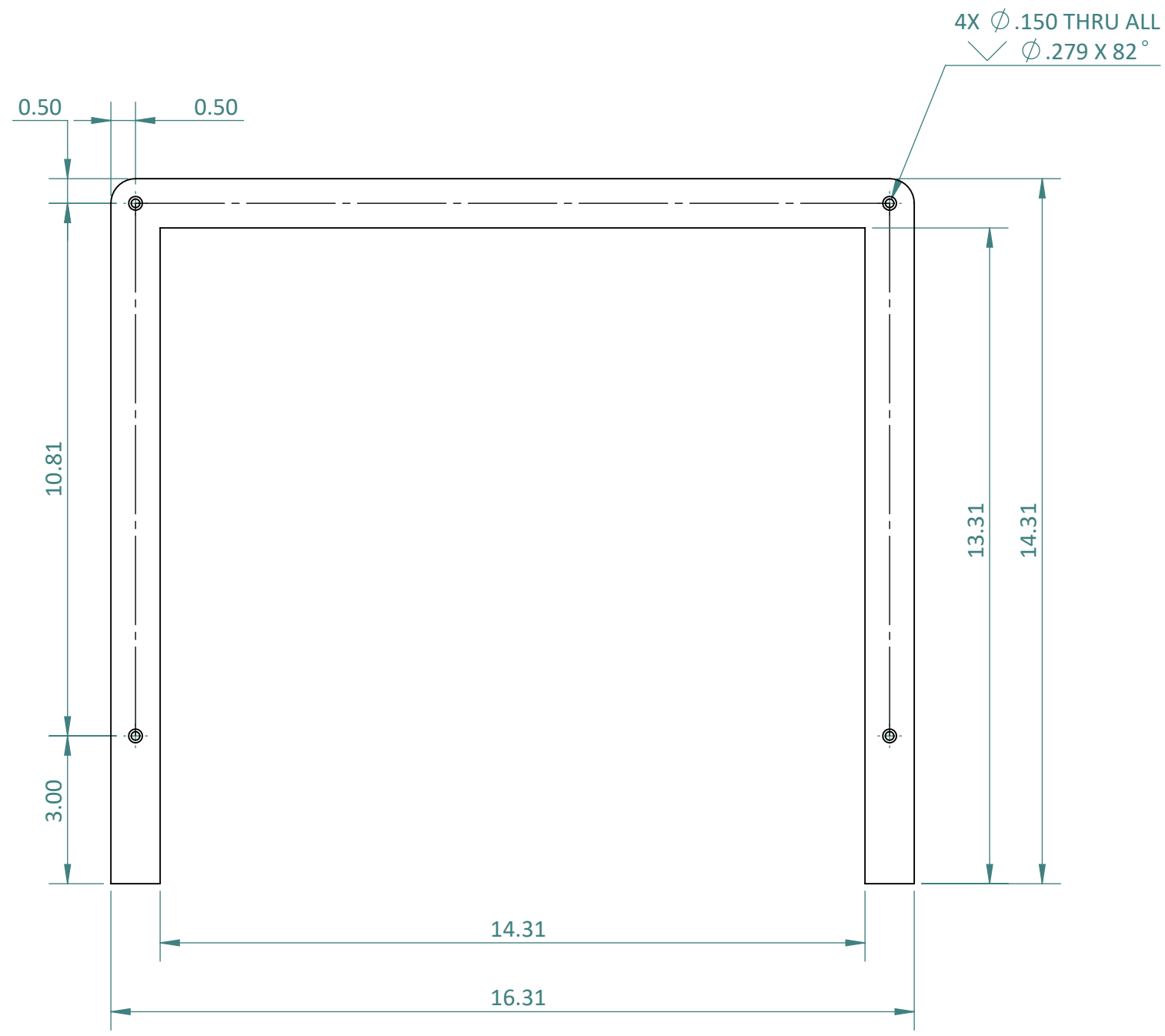
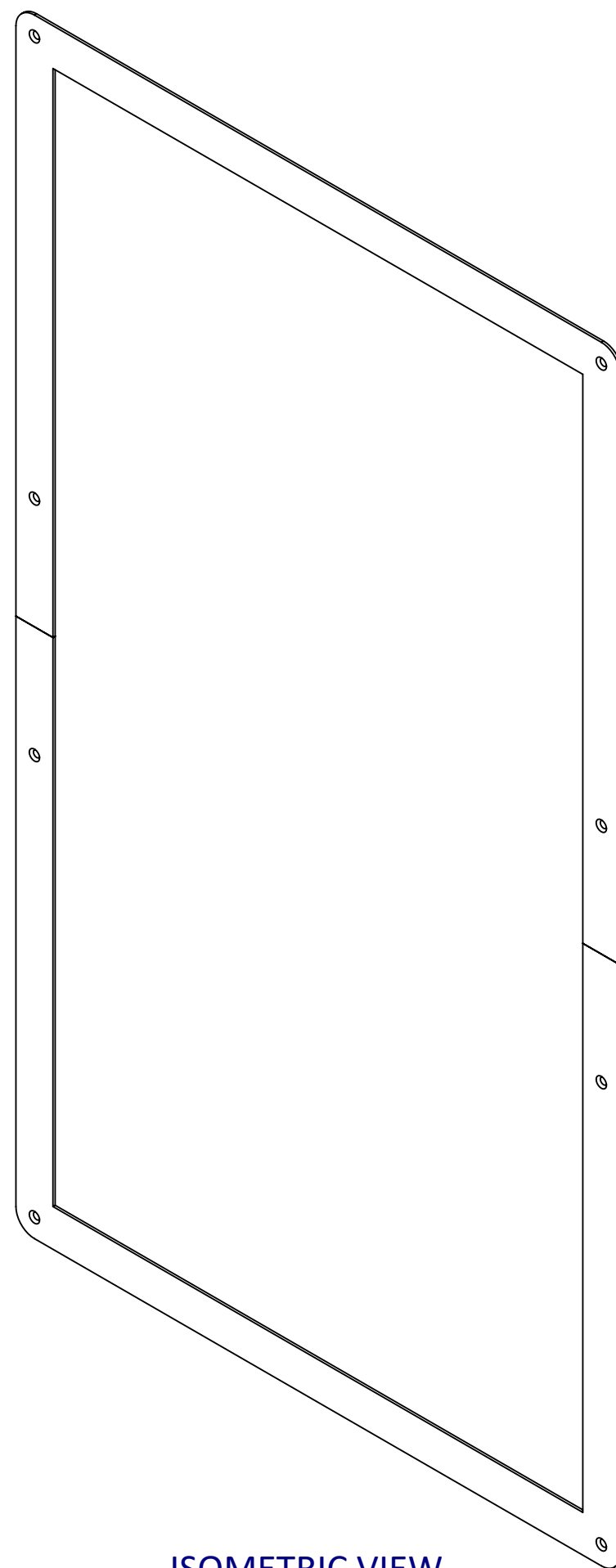


GENERAL NOTES:
 QTY. 2 AOR-TR16 TRIM RINGS ARE NEEDED FOR EACH AOR-8 OR AOR-16 COMMAND UNITS.



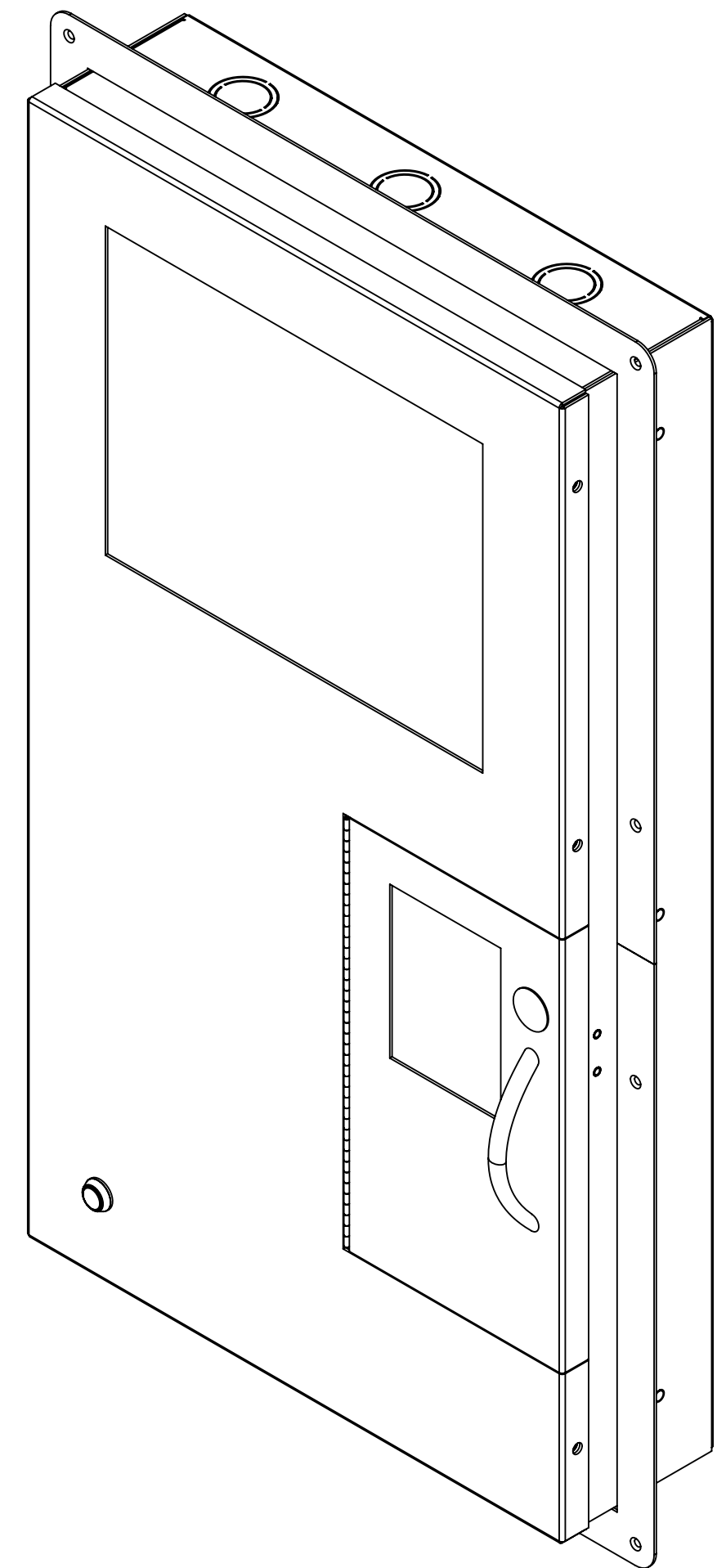
FRONT VIEW

TOP VIEW



ISOMETRIC VIEW

AOR-TR16 (2X)



TRIM RING (2X) SHOWN WITH
 COMMAND UNIT FOR ILLUSTRATION

1.0	MARKETING RELEASE	7/8/2021	J MAHETALIA
REV.	DESCRIPTION	DATE	APPROVED
REVISIONS			
UNLESS OTHERWISE SPECIFIED:			
DIMENSIONS ARE IN INCHES	DRAWN	J MAHETALIA	7/8/2021
TOLERANCES:	CHECKED	K PATEL	7/8/2021
DRILL HOLE -0.00 / +0.003	ENG APPR.		
ANGULAR: MACH ± BEND ±1*	MFG APPR.		
TWO PLACE DECIMAL ±0.01	Q.A.		
THREE PLACE DECIMAL ±0.005	COMMENTS:		
INTERPRET GEOMETRIC TOLERANCING PER: ASME Y14.5M-1994	FINISH		
MATERIAL	MODEL FILE NAME:		
DWG. TITLE: AOR-8-16 TRIM RING		PART NO. AOR-TR16	
SIZE C		REV 1.0	
SCALE: 1:3		WEIGHT:	
		SHEET 1 OF 1	

DO NOT SCALE DRAWING
 PROPRIETARY AND CONFIDENTIAL
 THE INFORMATION CONTAINED IN THIS DRAWING IS THE SOLE PROPERTY OF TALK-A-PHONE, LLC. ANY REPRODUCTION IN PART OR AS A WHOLE WITHOUT THE WRITTEN PERMISSION OF TALK-A-PHONE, LLC IS PROHIBITED.

t
 TALKAPHONE
 TALK-A-PHONE, LLC
 7530 N. NATCHEZ AVE. NILES, IL 60714
 WWW.TALKAPHONE.COM