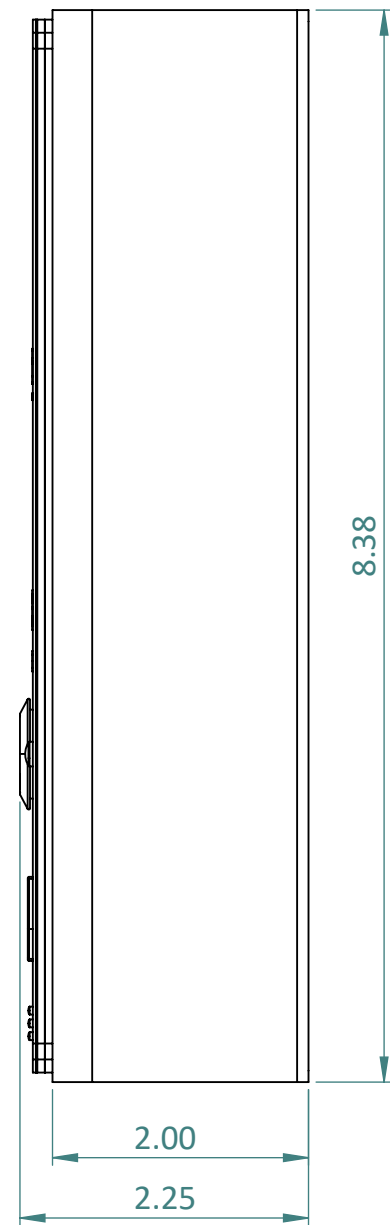
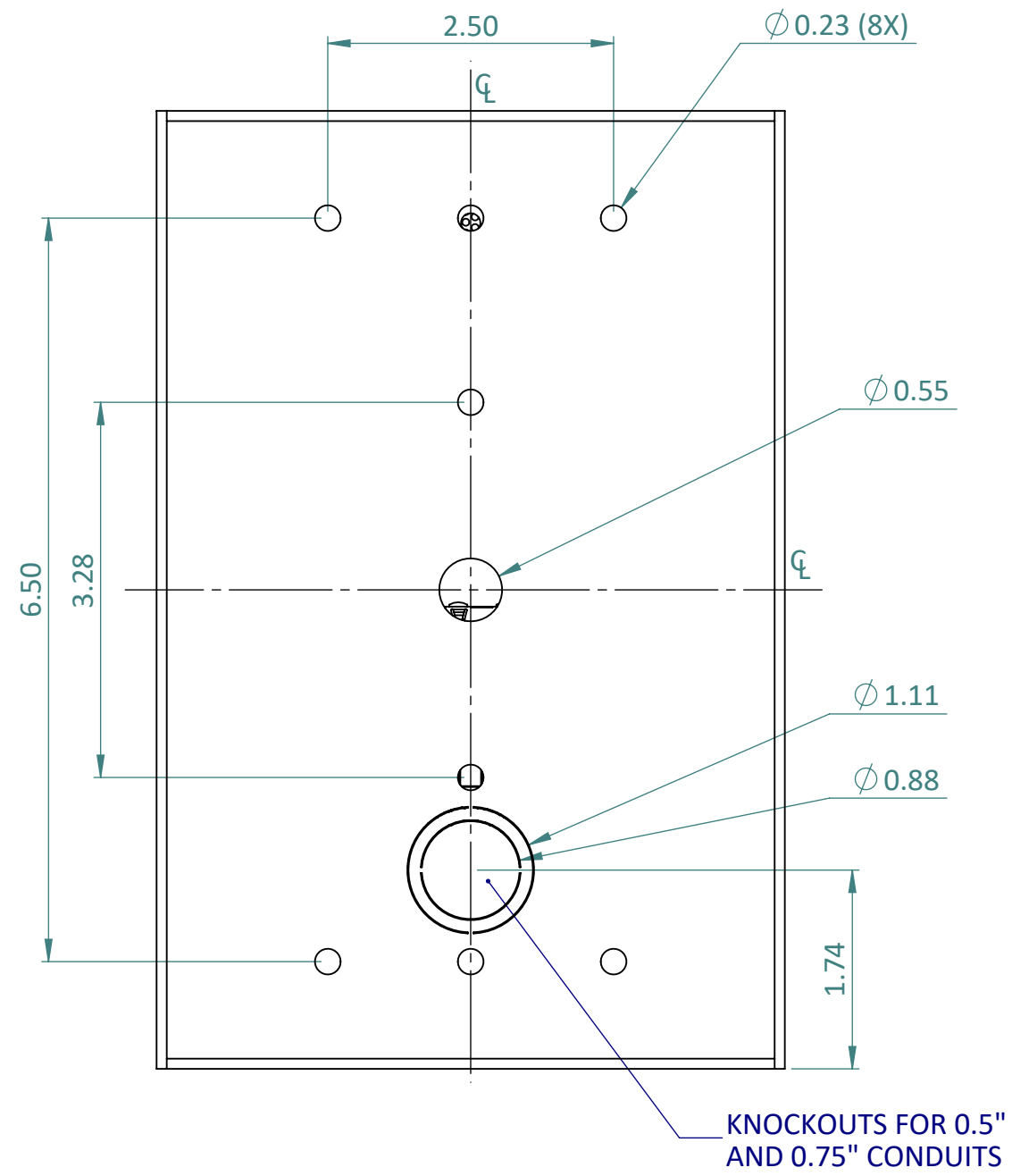


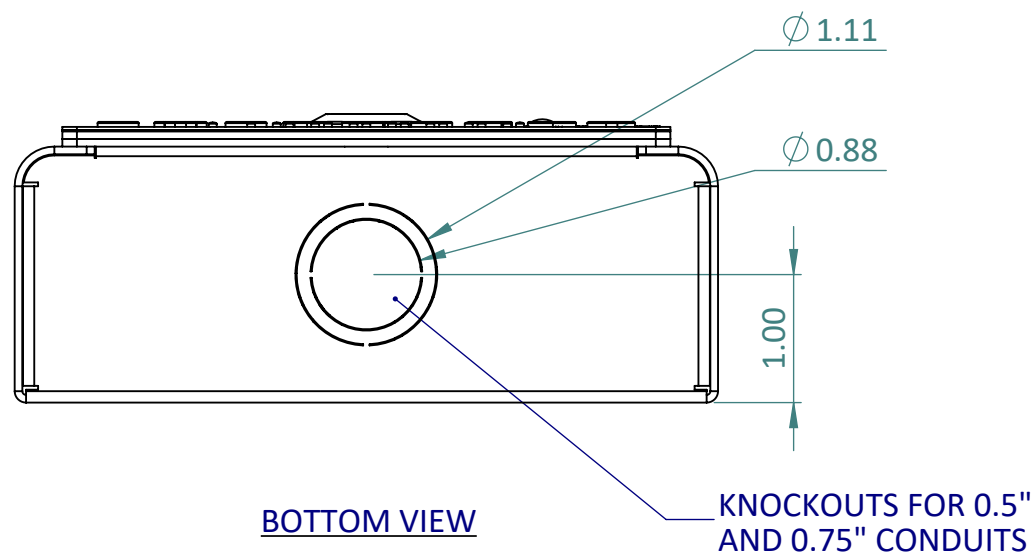
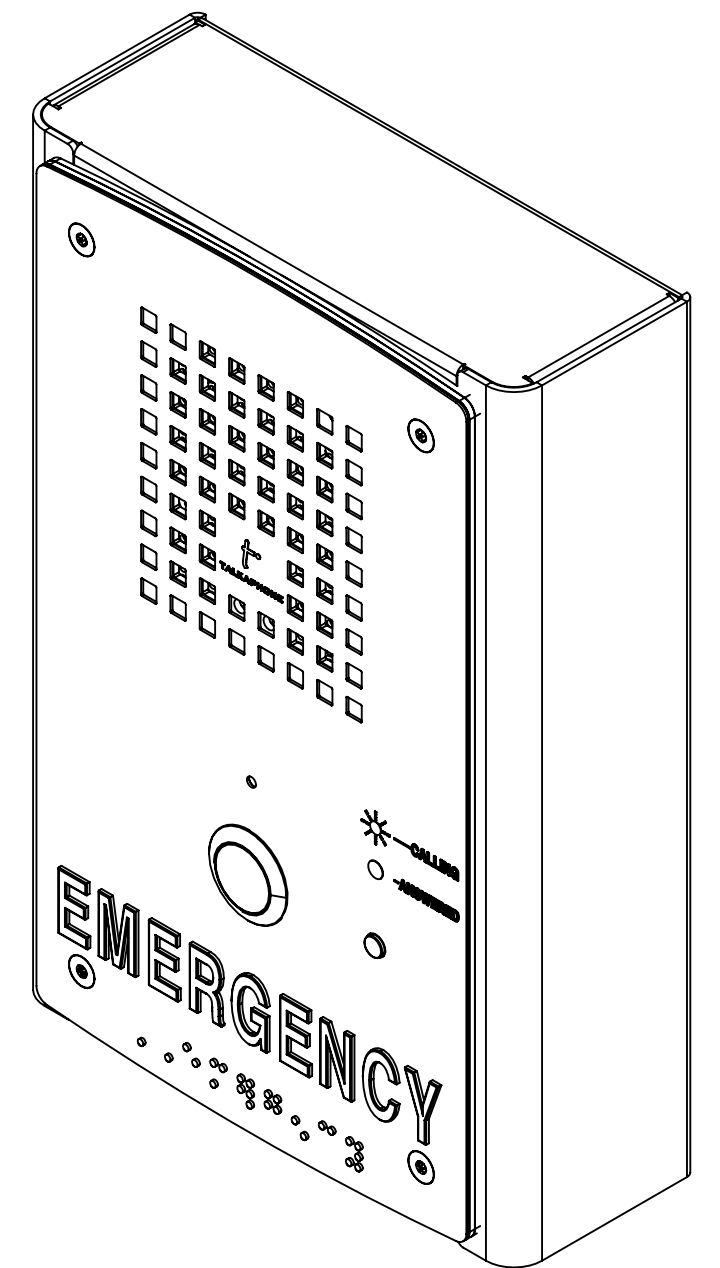
FRONT VIEW



SIDE VIEW



REAR VIEW



BOTTOM VIEW

FINISH
 PROPRIETARY AND CONFIDENTIAL
 THE INFORMATION CONTAINED IN THIS DRAWING IS THE SOLE PROPERTY OF TALK-A-PHONE, LLC. ANY REPRODUCTION IN PART OR AS A WHOLE WITHOUT THE WRITTEN PERMISSION OF TALK-A-PHONE, LLC IS PROHIBITED.

1.0	MARKETING RELEASE	04/07/2020	K PATEL
REV.	DESCRIPTION	DATE	APPROVED
REVISIONS			
DRAWN	NAME	DATE	
CHECKED	K PATEL	04/07/2020	
ENG APPR.			
MFG APPR.			
Q.A.			
COMMENTS:			
 TALKAPHONE TALK-A-PHONE, LLC 7530 N. NATCHEZ AVE., NILES, IL 60714 WWW.TALKAPHONE.COM			
DWG. NO.		REV	
SIZE	PART NO.	AOR-IP-CSE-SM	
C	DWG. TITLE:	AOR-IP CALL STATION SERIES, SURFACE MOUNT	
SCALE: 1:2	WEIGHT:	SHEET 1 OF 1	