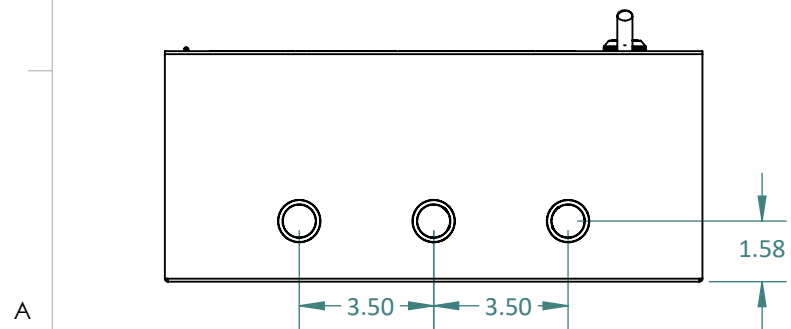
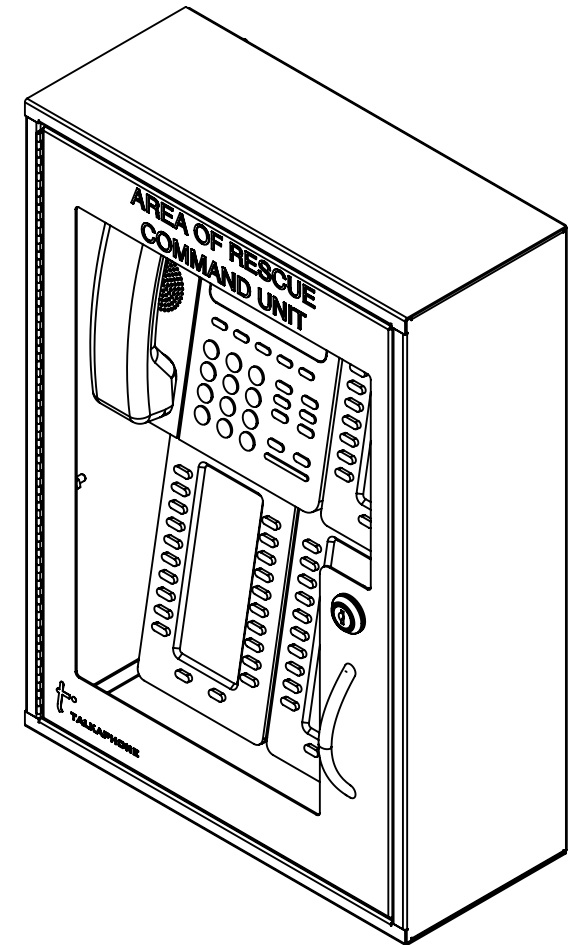
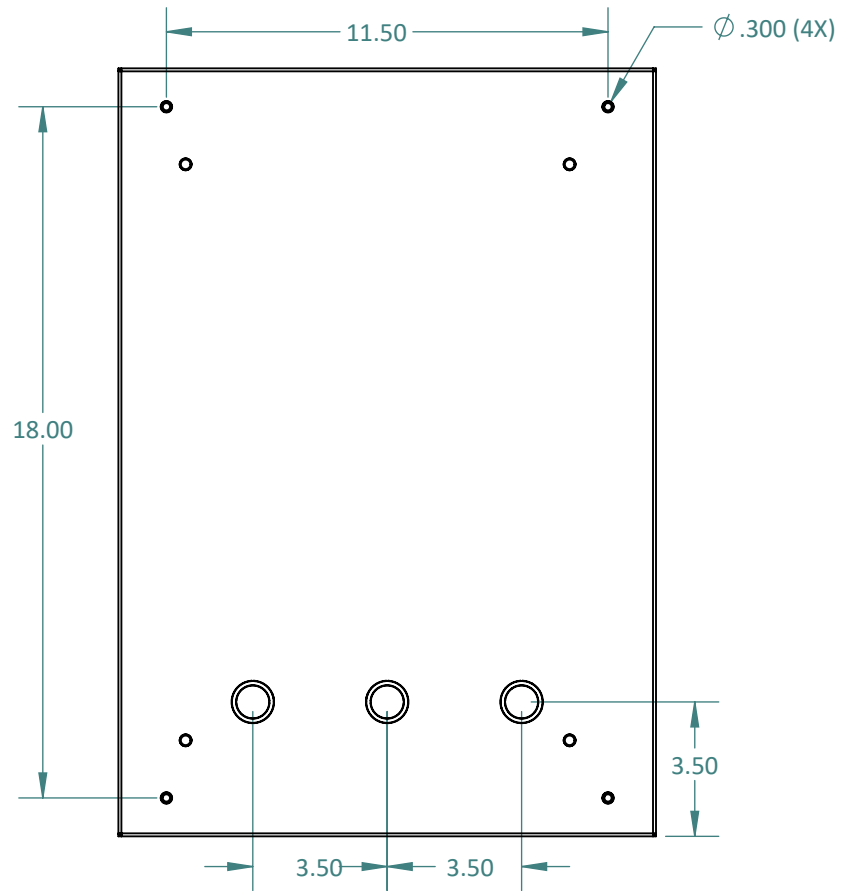
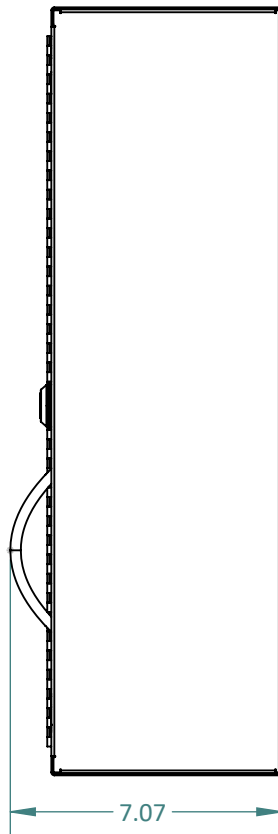
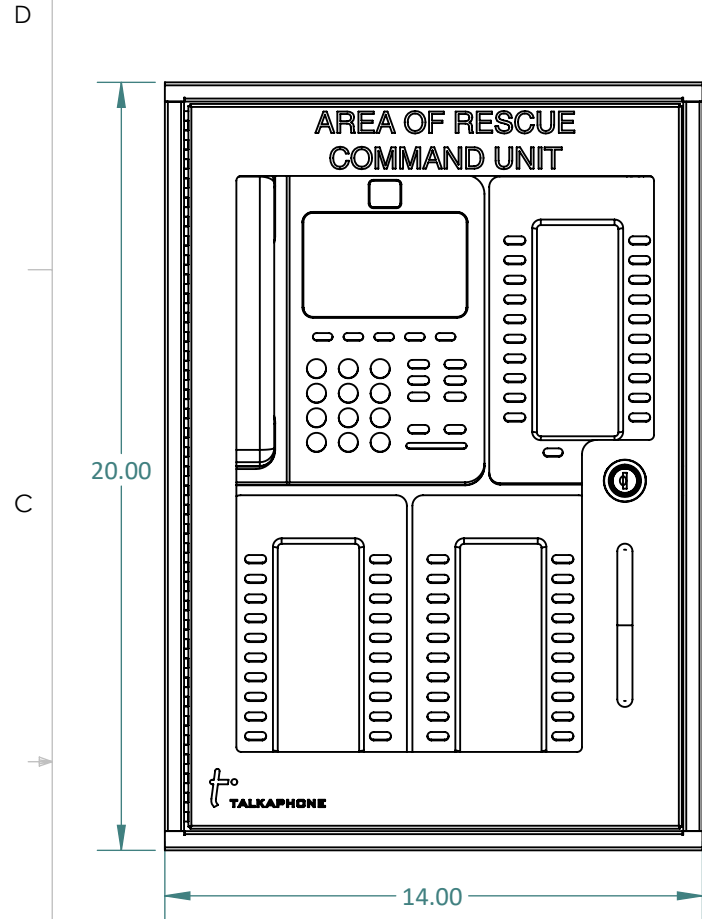


GENERAL NOTES:



0.1	02/12/2020	MARKETING RELEASE	K PATEL
REV.	DATE	DESCRIPTION	APPROVED

REVISION TABLE			
REV.	DATE	DESCRIPTION	APPROVED

UNLESS OTHERWISE SPECIFIED:
 DIMENSIONS ARE IN INCHES
 TOLERANCES:
 DRILL HOLE -0.00 / +0.003
 ANGULAR: MACH ± BEND ±1°
 TWO PLACE DECIMAL ±0.01
 THREE PLACE DECIMAL ±0.005
 INTERPRET GEOMETRIC TOLERANCING PER: ASME Y14.5M-1994
 MATERIAL
 FINISH
 MODEL FILE NAME:
AOR_CU_ENCLOSURE_ASSY

DO NOT SCALE DRAWING
PROPRIETARY AND CONFIDENTIAL
 THE INFORMATION CONTAINED IN THIS DRAWING IS THE SOLE PROPERTY OF TALK-A-PHONE, LLC. ANY REPRODUCTION IN PART OR AS A WHOLE WITHOUT THE WRITTEN PERMISSION OF TALK-A-PHONE, LLC IS PROHIBITED.

t
 TALKAPHONE
 TALK-A-PHONE, LLC
 7530 N. NATCHEZ AVE., NILES, IL 60714
 WWW.TALKAPHONE.COM

DWG. TITLE:
AREA OF RESCUE COMMAND UNIT, 120 STATIONS

SIZE	PART NO. AOR-IP-120-CU	REV 0.1
B	DWG. NO.	
SCALE: 1:8	WEIGHT:	SHEET 1 OF 1