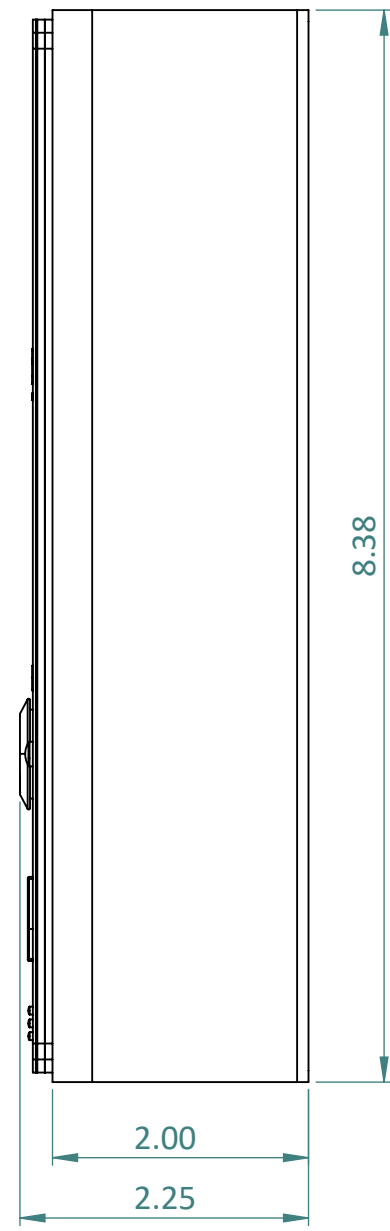
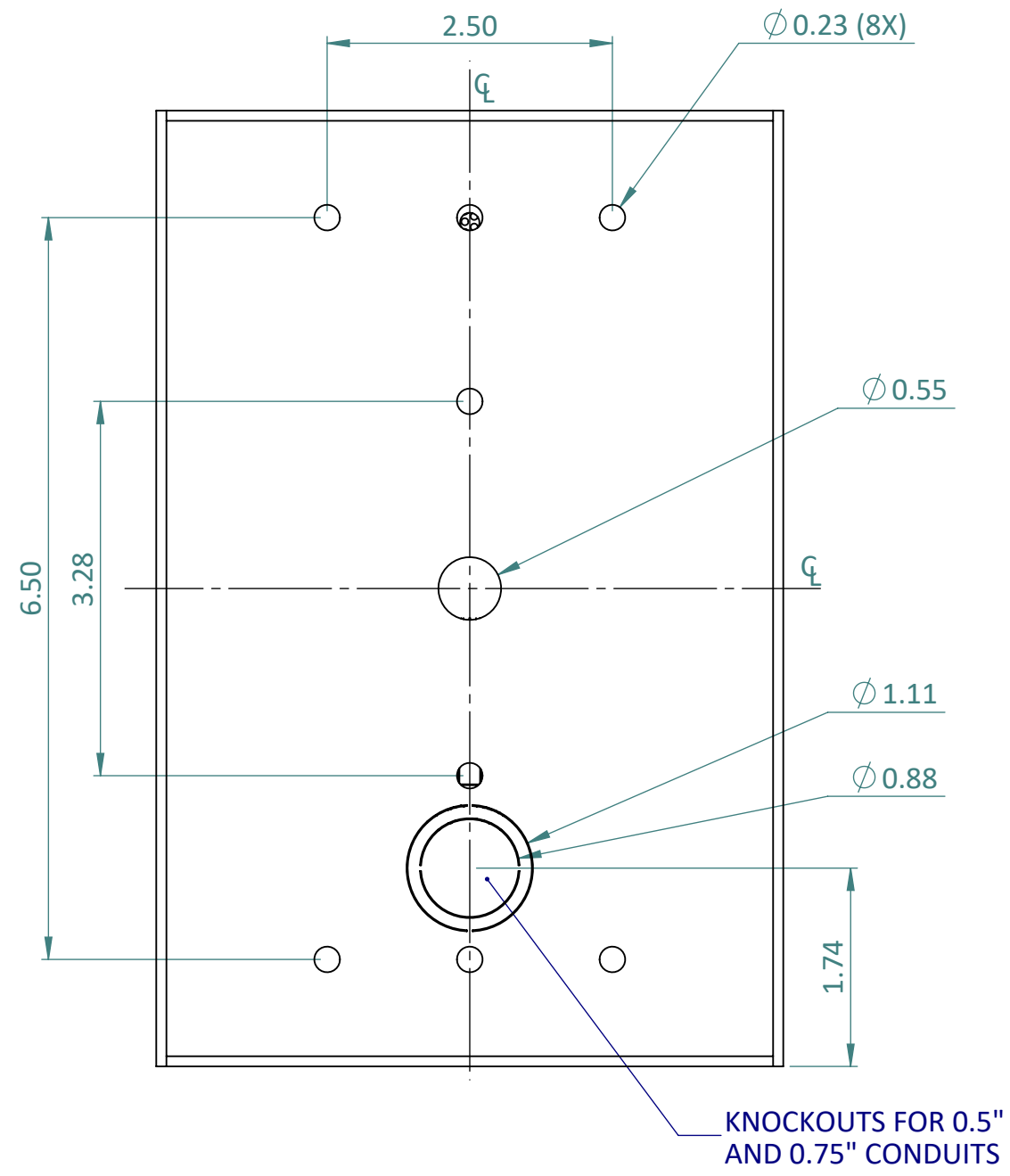


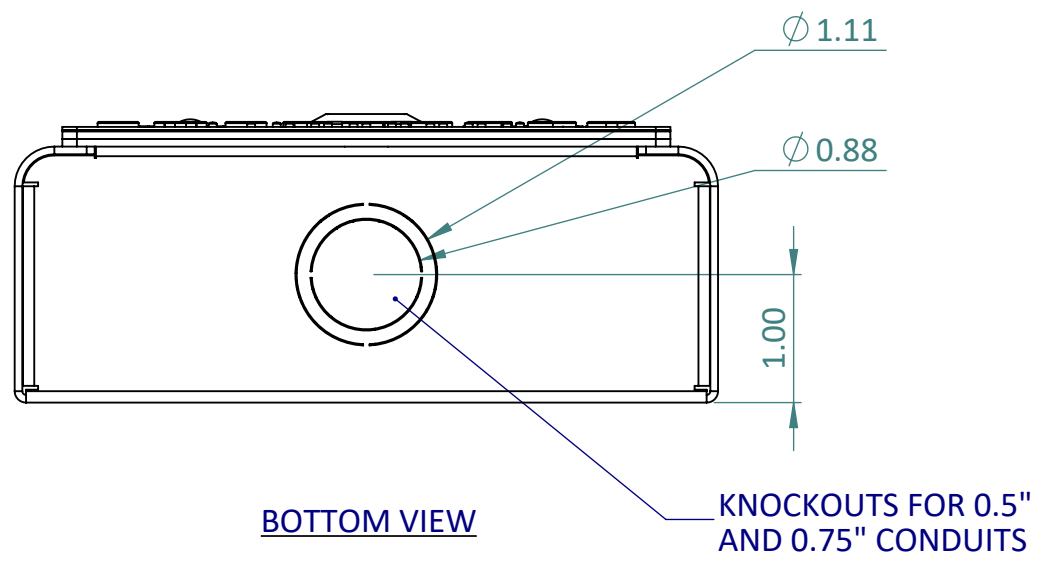
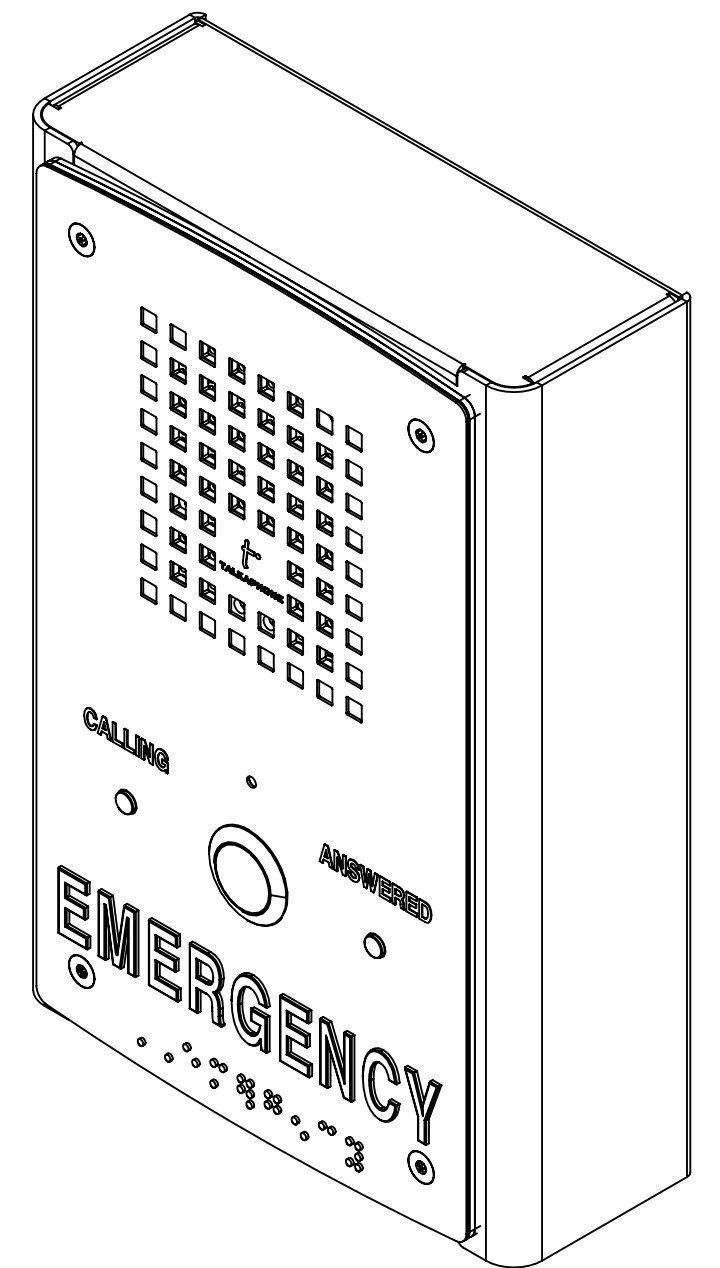
FRONT VIEW



SIDE VIEW



REAR VIEW



BOTTOM VIEW

KNOCKOUTS FOR 0.5" AND 0.75" CONDUITS

FINISH
 PROPRIETARY AND CONFIDENTIAL
 THE INFORMATION CONTAINED IN THIS DRAWING IS THE SOLE PROPERTY OF TALK-A-PHONE, LLC. ANY REPRODUCTION IN PART OR AS A WHOLE WITHOUT THE WRITTEN PERMISSION OF TALK-A-PHONE, LLC IS PROHIBITED.

1.0	MARKETING RELEASE	2/12/2021	J MAHETALIA
REV.	DESCRIPTION	DATE	APPROVED
REVISIONS			
	NAME	DATE	
DRAWN	J MAHETALIA	2/12/2021	
CHECKED	K PATEL	2/12/2021	
ENG APPR.			
MFG APPR.			
Q.A.			
COMMENTS:			
 TALKAPHONE TALK-A-PHONE, LLC 7530 N. NATCHEZ AVE., NILES, IL 60714 WWW.TALKAPHONE.COM		DWG. NO.	
SIZE	PART NO.	AOR-CSE-SM	REV
C	DWG. TITLE: AOR SERIES CALL STATION WITH SURFACE MOUNT ENCLOSURE		1.0
SCALE: 1:2	WEIGHT:	SHEET 1 OF 1	