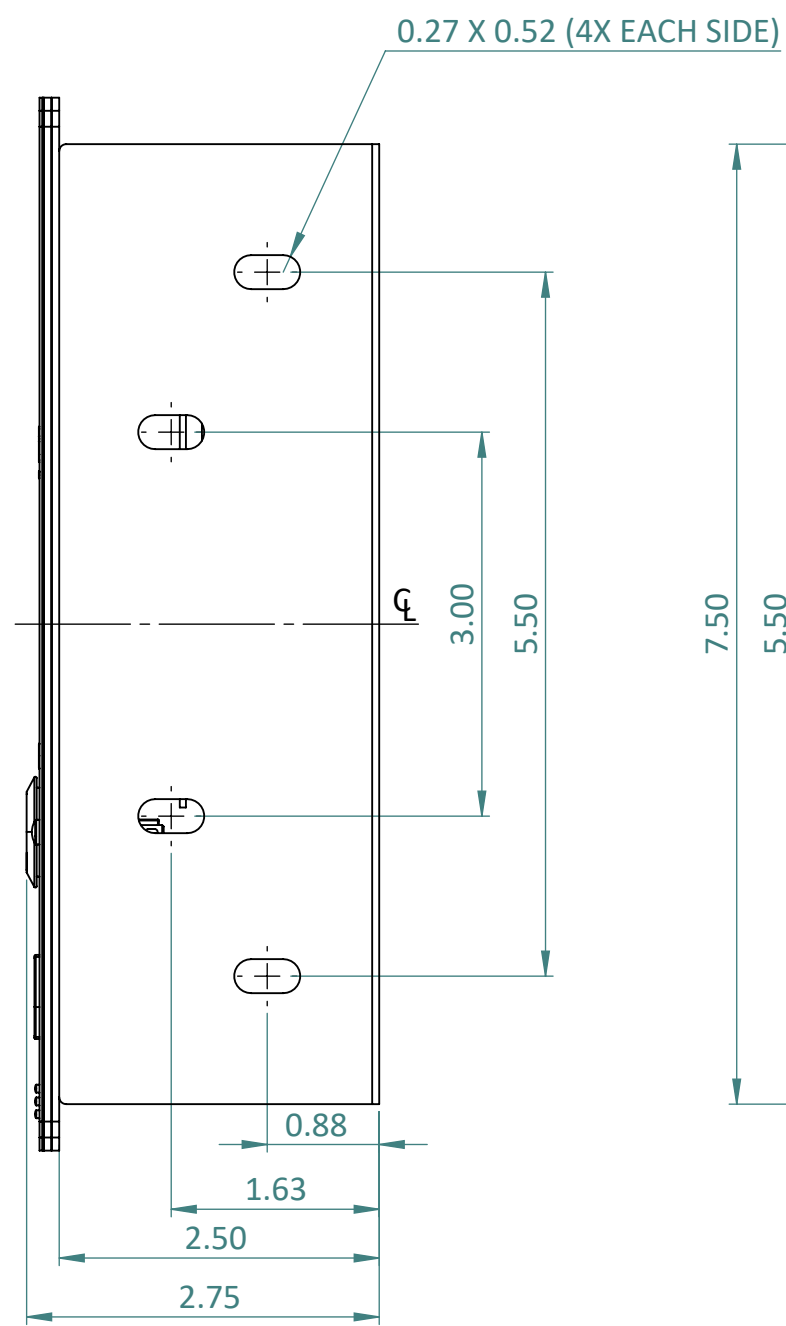
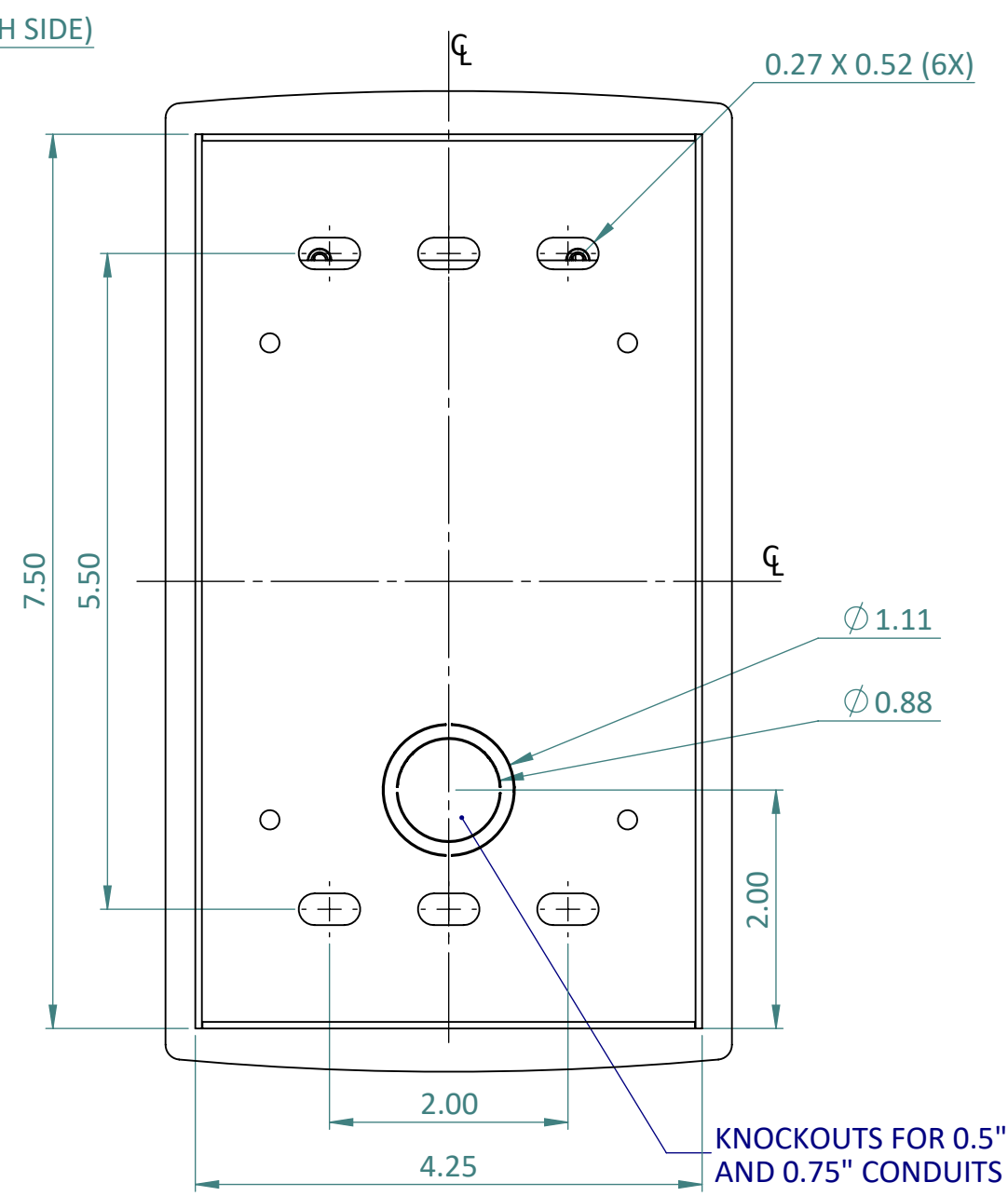


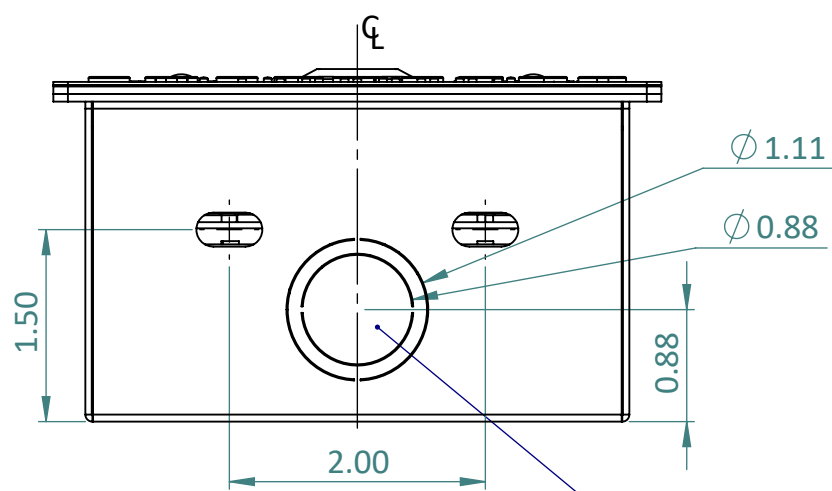
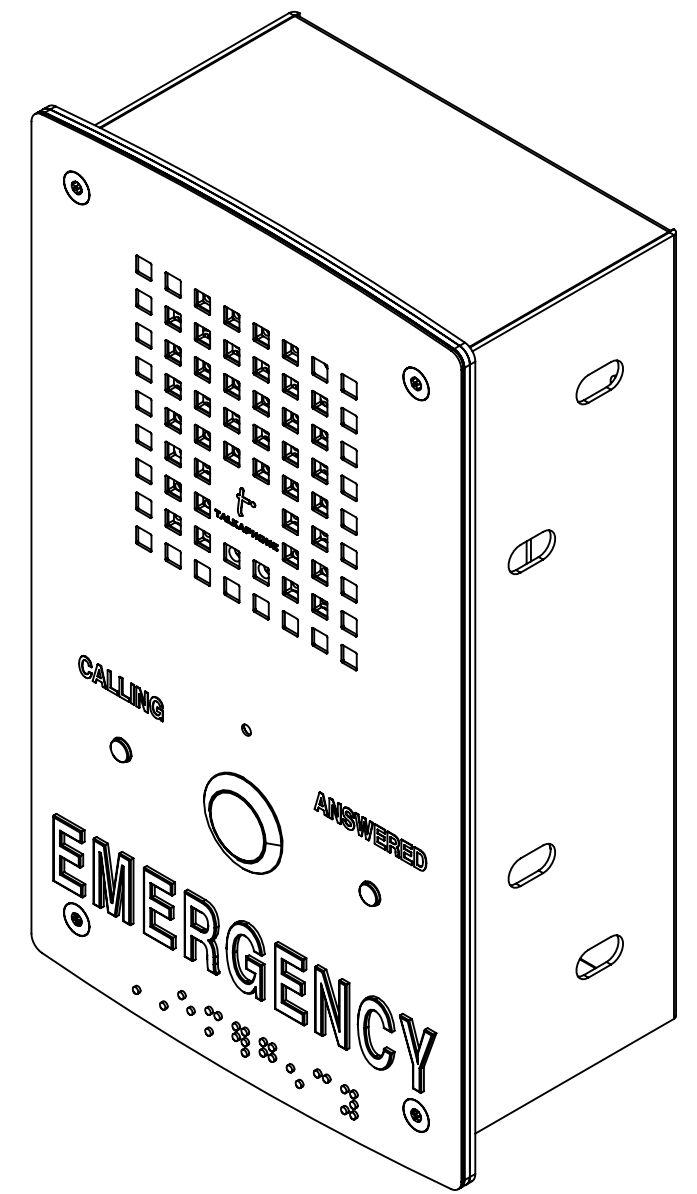
FRONT VIEW



SIDE VIEW



REAR VIEW



BOTTOM VIEW

KNOCKOUTS FOR 0.5" AND 0.75" CONDUITS

FINISH
 PROPRIETARY AND CONFIDENTIAL
 THE INFORMATION CONTAINED IN THIS DRAWING IS THE SOLE PROPERTY OF TALK-A-PHONE, LLC. ANY REPRODUCTION IN PART OR AS A WHOLE WITHOUT THE WRITTEN PERMISSION OF TALK-A-PHONE, LLC IS PROHIBITED.

| 1.0 | MARKETING RELEASE | 2/12/2021 | J MAHETALIA |
|--|-------------------|--|--------------|
| REV. | DESCRIPTION | DATE | APPROVED |
| REVISIONS | | | |
| | NAME | DATE | |
| DRAWN | J MAHETALIA | 2/12/2021 | |
| CHECKED | K PATEL | 2/12/2021 | |
| ENG APPR. | | | |
| MFG APPR. | | | |
| Q.A. | | | |
| COMMENTS: | | | |
|  TALKAPHONE TALK-A-PHONE, LLC 7530 N. NATCHEZ AVE., NILES, IL 60714 WWW.TALKAPHONE.COM | | DWG. NO. | |
| SIZE | PART NO. | AOR-CSE-FM | REV |
| C | DWG. TITLE: | AOR SERIES CALL STATION WITH FLUSH MOUNT ENCLOSURE | 1.0 |
| SCALE: 1:2 | WEIGHT: | | SHEET 1 OF 1 |